

parts catalogue



M3.10

M4.14

Deze onderdelencatalogus bevat waardevolle informatie voor onderhoud en service aan uw motor.

Wij adviseren U, bij vervanging alleen originele *VERBUS* onderdelen toe te passen.

Het typeplaatje bevat informatie over de typeaanduiding, het motornummer en de serie.


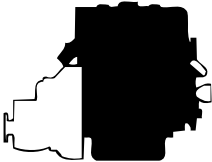
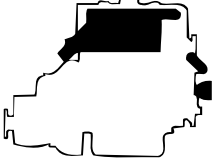
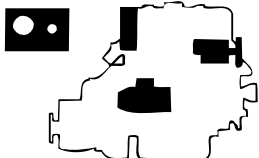

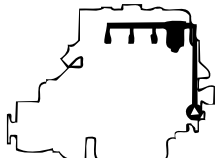




Gebruik deze informatie bij bestelling van onderdelen.

This parts' catalogue contains valuable information for maintenance and service over your engine.

For replacement, we recommend that you use only genuine *VERBUS* parts.

The identification tag contains information about model, serial number and series.

Use this information when ordering parts.

	<p>RESERVE KITS SPARE PARTS KIT</p>	<p>1</p>
	<p>MOTOR ENGINE</p>	<p>2</p>
	<p>KOELING COOLING</p>	<p>3</p>
	<p>ELECTRA, BEDIENING EN INSTRUMENTEN ELECTRICS, CONTROLS, INSTRUMENTS</p>	<p>4</p>
	<p>AANDRIJVING TRANSMISSION</p>	<p>5</p>
	<p>BRANDSTOFSTEEEM FUEL SYSTEM</p>	<p>6</p>
	<p>GENERATOR GENERATOR</p>	<p>7</p>
	<p>GEREEDSCHAPPEN TOOLS</p>	<p>8</p>
	<p>ACCESSOIRES OPTIONALS</p>	<p>9</p>
	<p>ACCESSOIRES OPTIONALS</p>	<p>10</p>

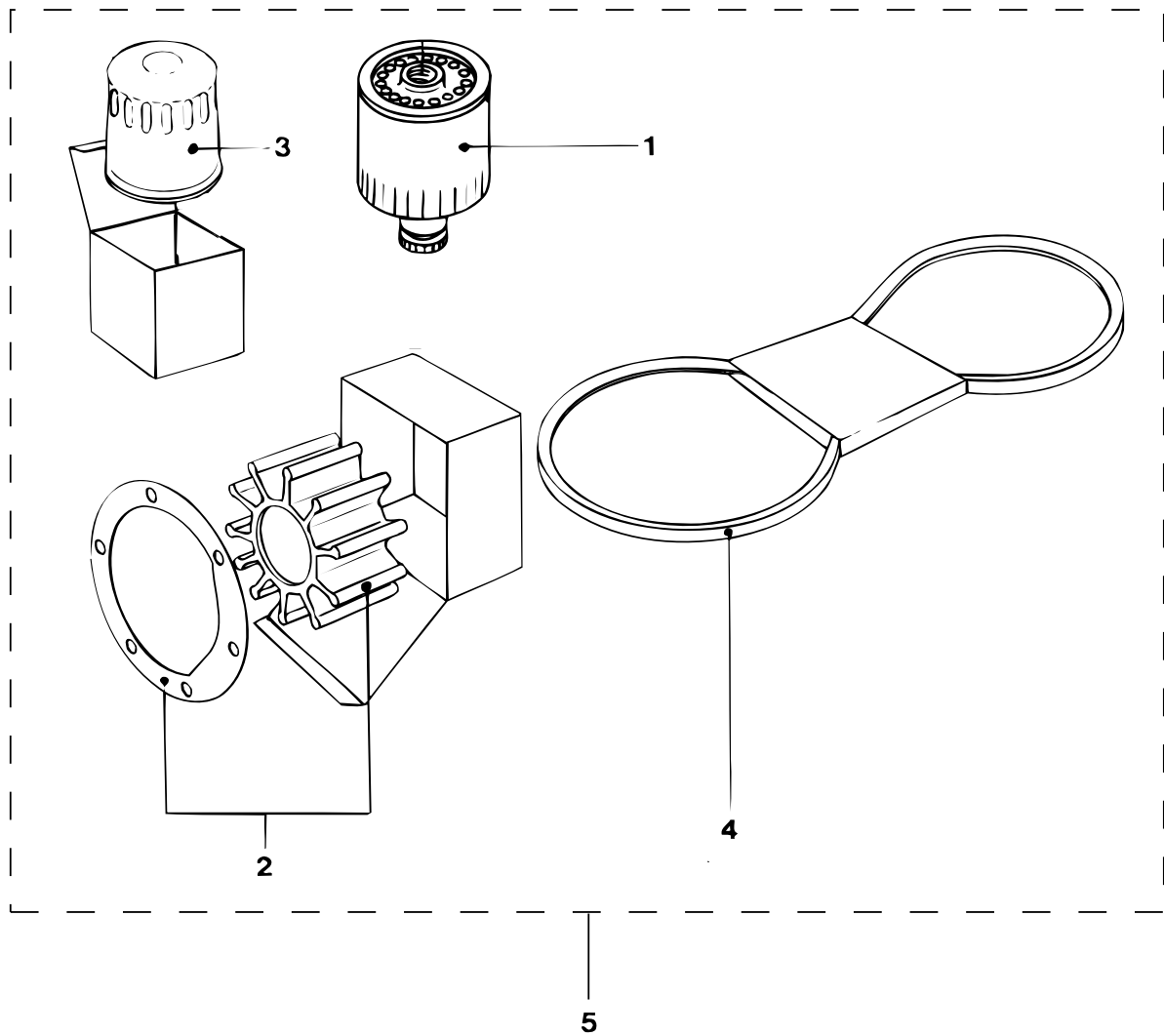
onderdelencatalogus parts catalogue



groep/ group 1	blz./ page 1	type M3.10	omschrijving/description Service kit Service kit	datum/date 08 01 02
----------------------	--------------------	---------------	--	------------------------

pos.	qty	part	benaming	description
1	1	STM3690	Brandstoffilter	Fuel filter
2	1	STM8076	Impeller + pakking zeewater pomp	Impeller + gasket seawater pump
3	1	STM0051	Oliefilter	Oil filter
4	1	STM1656	V-snaar	V-belt
5	1	STM9532	Service kit 1 t/m 4	Service kit 1 up to 4

groep/ group	blz./ page	type	omschrijving/description	datum/date
1	1	M3.10	Service kit Service kit	08 01 02



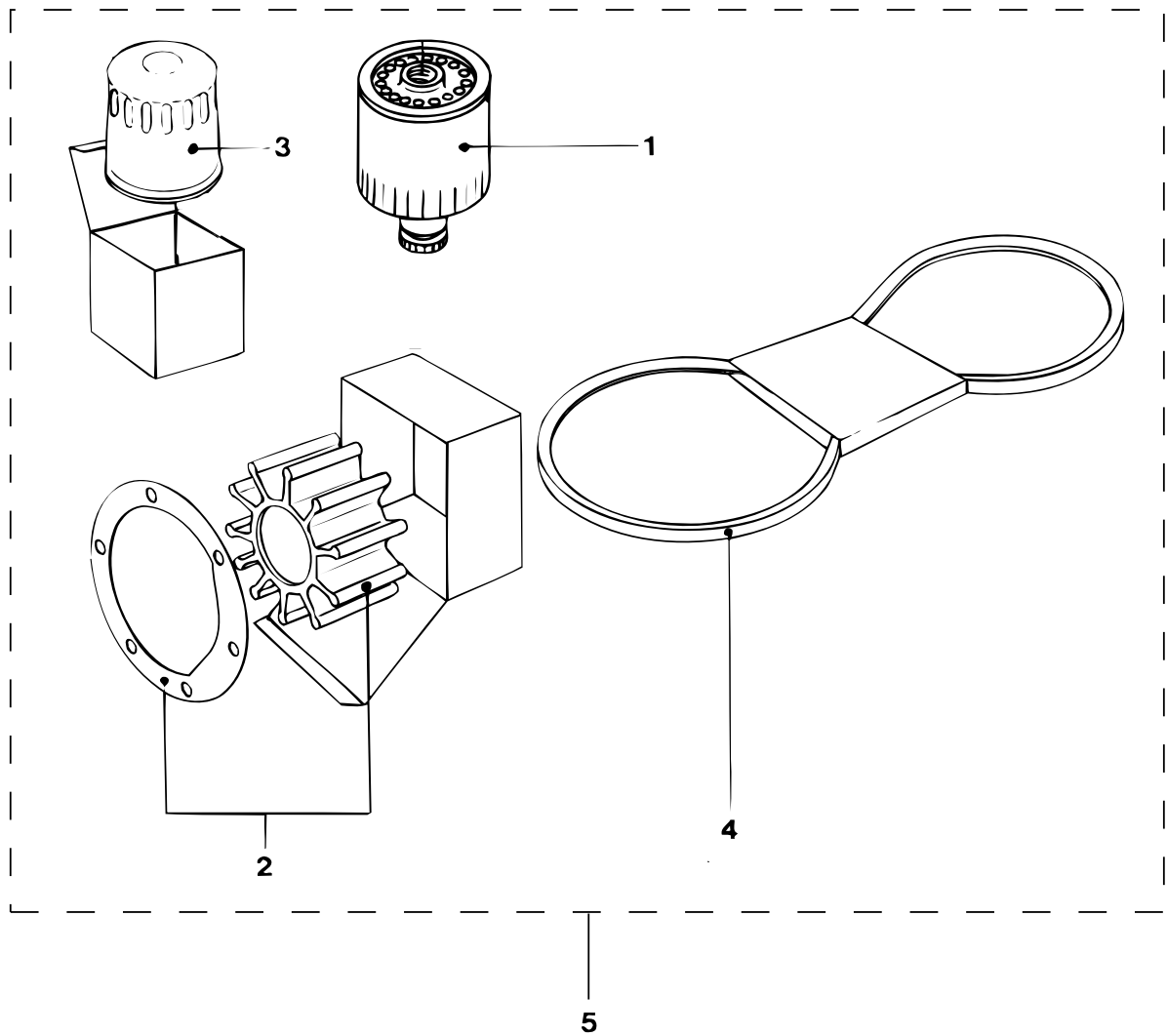
onderdelencatalogus parts catalogue



groep/ group 1	blz./ page 2	type M4.14	omschrijving/description Service kit Service kit	datum/date 08 01 02
----------------------	--------------------	---------------	--	------------------------

pos.	qty	part	benaming	description
1	1	STM3690	Brandstoffilter	Fuel filter
2	1	STM8076	Impeller + pakking zeewater pomp	Impeller + gasket seawater pump
3	1	STM0051	Oliefilter	Oil filter
4	1	STM1661	V-snaar M4.14	V-belt M4.14
5	1	STM9533	Service kit 1 t/m 4	Service kit 1 up to 4

groep/ group	blz./ page	type	omschrijving/description	datum/date
1	2	M4.14	Service kit Service kit	08 01 02



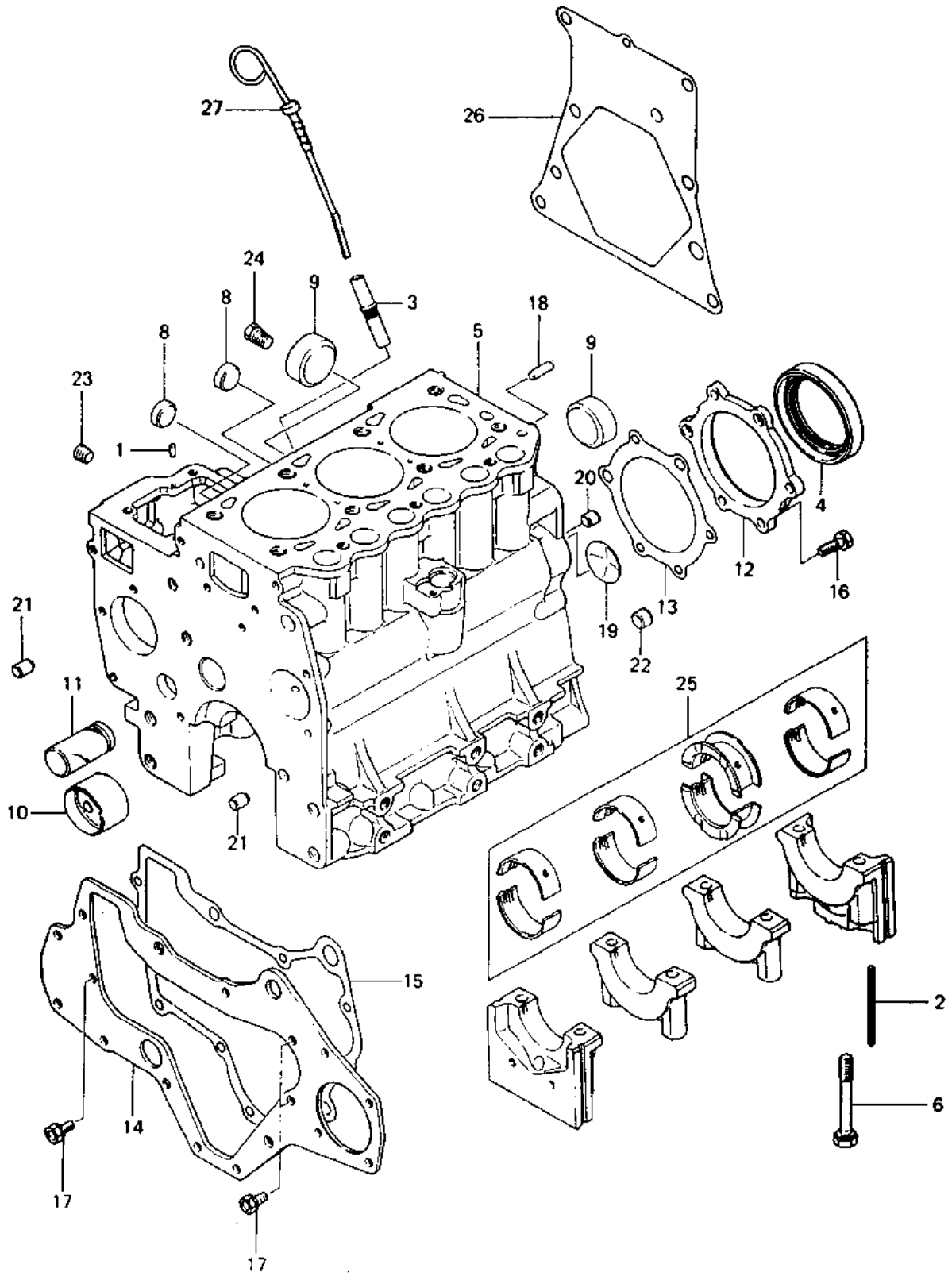
onderdelencatalogus parts catalogue



groep/ group 2	blz./ page 1	type M3.10	omschrijving/description Cilinderblok Cylinder block	datum/date 01 10 93
----------------------	--------------------	---------------	--	------------------------

pos.	qty	part	benaming	description
1	2	STM2492	Pen	Dowel pin
2	4	STM2493	Pakking	Gasket
3	1	STM2494	Pijp peilstok	Guide oil gauge
4	1	STM2495	Simmerring	Oil seal
5	1	STM2496	Cilinderblok	Cylinderblock
6	8	STM2497	Bout	Bolt
8	2	STM2537	Vriesplaat	Cap sealing
9	2	STM2538	Vriesplaat ø 45	Cap sealing ø 45
10	1	STM2501	Bus	Bush
11	1	STM2502	As tussenwiel	Shaft idler
12	1	STM2503	Ring	Case oil seal
13	1	STM2504	Pakking	Gasket
14	1	STM2505	Plaat	Plate
15	1	STM2506	Pakking	Gasket
16	6	STM1610	Bout	Bolt
17	3	STM7010	Bout	Bolt
18	1	STM2507	Pen	Dowel pin
19	1	STM2508	Plug	Plug
20	2	STM2509	Bus	Bush
21	2	STM2510	Bus	Bush
22	1	STM2511	Bus	Bush
23	3	STM2512	Plug	Plug
24	1	STM2513	Plug	Plug
25	1	STM2514	Lagerset standaard	Bearing set standard
	1	STM2756	Lagerset O.S. 0,25	Bearing set O.S. 0,25
	1	STM2757	Lagerset O.S. 0,50	Bearing set O.S. 0,50
	1	STM2758	Lagerset O.S. 0,75	Bearing set O.S. 0,75
26	1	STM3393	Pakking	Gasket
27	1	STM2516	Peilstok	Oil level gauge
28	1	STM2607	Pakking set compl.	Gasket compl

groep/ group	blz./ page	type	omschrijving/description	datum/date
2	1	M3.10	Cilinderblok Cylinder block	01 10 93



onderdelencatalogus parts catalogue



groep/ group 2	blz./ page 2	type M3.10	omschrijving/description Krukas Crankshaft	datum/date 08 01 02
----------------------	--------------------	---------------	--	------------------------

pos.	qty	part	benaming	description
1	3	STM2548	Zuigerveren set	Pistonrings set
	3	STM2549	Zuigerveren set O.S. 0,25	Pistonrings set O.S. 0,25
	3	STM2550	Zuigerveren set O.S. 0,50	Pistonrings set O.S. 0,50
	3	STM2551	Zuigerveren set O.S. 0,75	Pistonrings set O.S. 0,75
2	3	STM2552	Zuiger met pen standaard	Piston and pin standard
	3	STM2753	Zuiger met pen O.S. 0,25	Piston and pin O.S. 0,25
	3	STM2754	Zuiger met pen O.S. 0,50	Piston and pin O.S. 0,50
	3	STM2755	Zuiger met pen O.S. 0,75	Piston and pin O.S. 0,75
3	3	STM2556	Drijfstang	Connection rod assy
4	6	STM3586	Moer drijfstang	Nut connection rod
5	6	STM3585	Bout drijfstang	Bolt connection rod
6	3	STM3441	Lageret standaard	Bearing set standard
	3	STM3442	Lageret 0,25	Bearing set 0,25
	3	STM3443	Lageret 0,50	Bearing set 0,50
	3	STM3444	Lageret 0,75	Bearing set 0,75
7	1	STM2563	Tandwiel krukas	Gear crankshaft
8	1	STM2564	Krukas	Crankshaft
9	1	STM2565	Pulley krukas	Pulley crankshaft
10	1	STM2566	Moer	Nut
11	1	STM2567	Ring	Washer
12	1	STM2568	Veerring	Spring washer
13	2	STM2569	Spie 5 x 19	Key 5 x 19
14	5	STM2570	Bout vliegwiel MD002620	Bolt flywheel
15	5	STM2571	Ring speciaal MD014236	Washer special
16	1	STM2572	Vliegwiel MM408855	Flywheel MM408855
17	1	STM2573	Startkrans	Gear ring
18	3	STM2611	Lager	Bearing
19	6	STM3438	Seegerring	Circlip

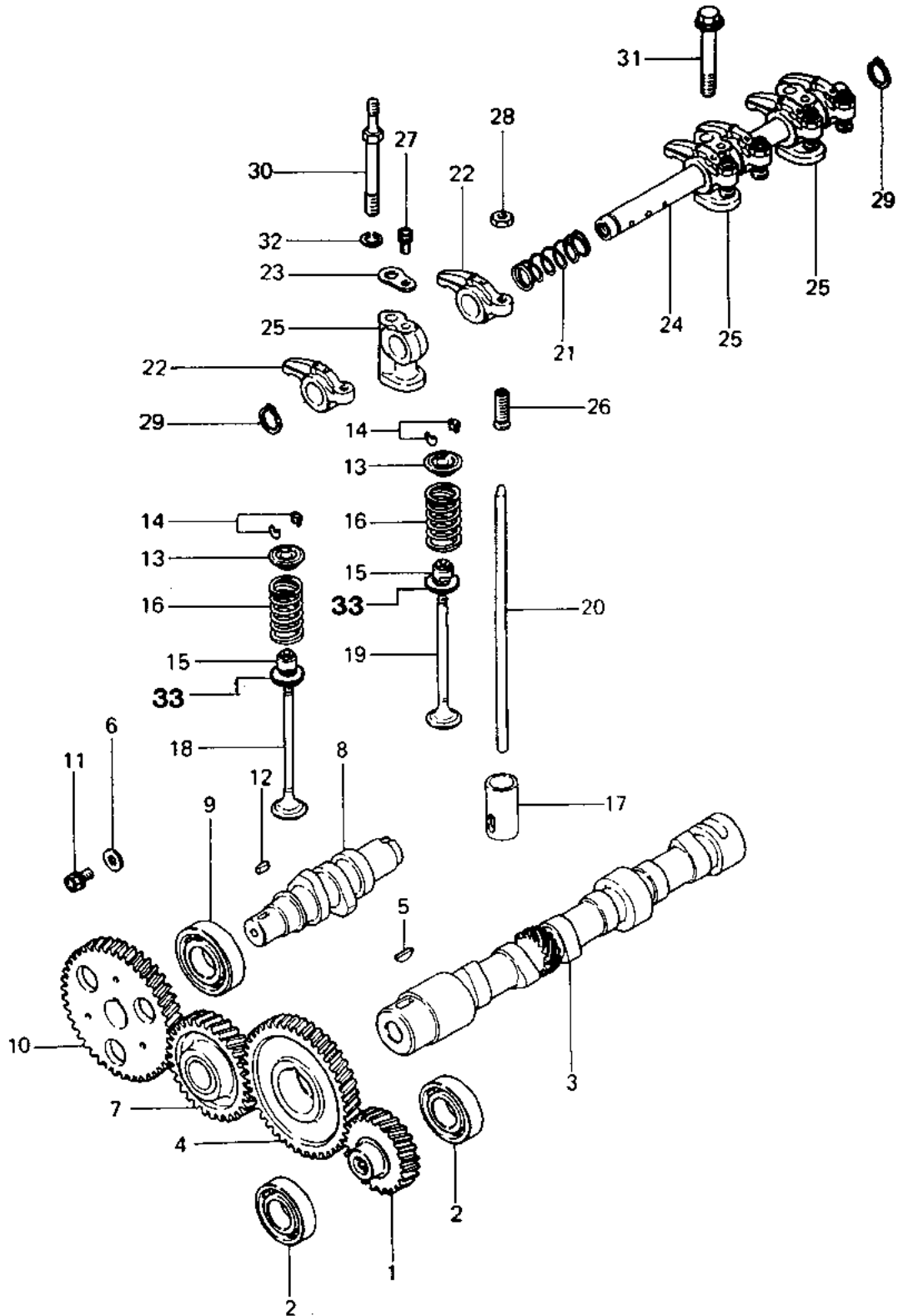
onderdelencatalogus parts catalogue



groep/ group 2	blz./ page 3	type M3.10	omschrijving/description Distributie Timing gear	datum/date 01 02 99
----------------------	--------------------	---------------	--	------------------------

pos.	qty	part	benaming	description
1	1	STM2575	Tandwiel oliepomp	Gear oil pump
2	2	STM2576	Kogellager	Bearing ball
3	1	STM2577	Nokkenas	Cam shaft
4	1	STM2578	Tandwiel nokkenas	Gear cam shaft
5	1	STM2579	Spie	Key
6	1	STM2580	Ring	Washer
7	1	STM2581	Tandwiel	Gear idler
8	1	STM2582	As injectie pomp	Shaft fuel pump
9	1	STM2583	Kogellager	Bearing ball
10	1	STM2584	Tandwiel injectie pomp	Gear cam fuel injection pump
11	1	STM2585	Bout	Bolt
12	1	STM2586	Spie	Key
13	6	STM2587	Veerschotel	Retainer valve spring
14	12	STM2588	KLepspieLock	valve retainer
15	6	STM2589	Keerring	Seal
16	6	STM2590	Klepveer	Valve spring
17	6	STM2591	Klepstoter	Tappet
18	3	STM2592	Inlaatklep (motor nr. 32321 <-)	Valve intake (n° 32321 <-)
	3	STM2621	Inlaatklep (motor nr. 32322 ->)	Valve intake (n° 32322 ->)
19	3	STM2593	Uitlaatklep (motor nr. 32321 <-)	Valve exhaust(n° 32331 <-)
	3	STM2622	Uitlaatklep (motor nr. 32322 ->)	Valve exhaust(n° 32322 ->)
20	6	STM2594	Stoterstang	Push rod
21	2	STM2595	Veer tuimelaar	Spring rocker shaft
22	6	STM2596	Tuimelaar	Rocker arm
23	2	STM2597	Plaatje	Washer
24	1	STM2598	Tuimelaar as	Rocker shaft
25	3	STM2599	Steun tuimelaar as	Stay rocker shaft
26	6	STM2600	Schroef stel	Screw adjust
27	2	STM2601	Bout	Bolt
28	6	STM2602	Moer	Nut
29	2	STM2603	Ring	Ring snap
30	2	STM2604	Bout	Bolt
31	1	STM2605	Bout	Bolt
32	2	STM2606	Veerring	Spring washer
33	6	STM3401	Veerschotel	Washer

groep/ group	blz./ page	type	omschrijving/description	datum/date
2	3	M3.10	Distributie Timing gear	01 02 99



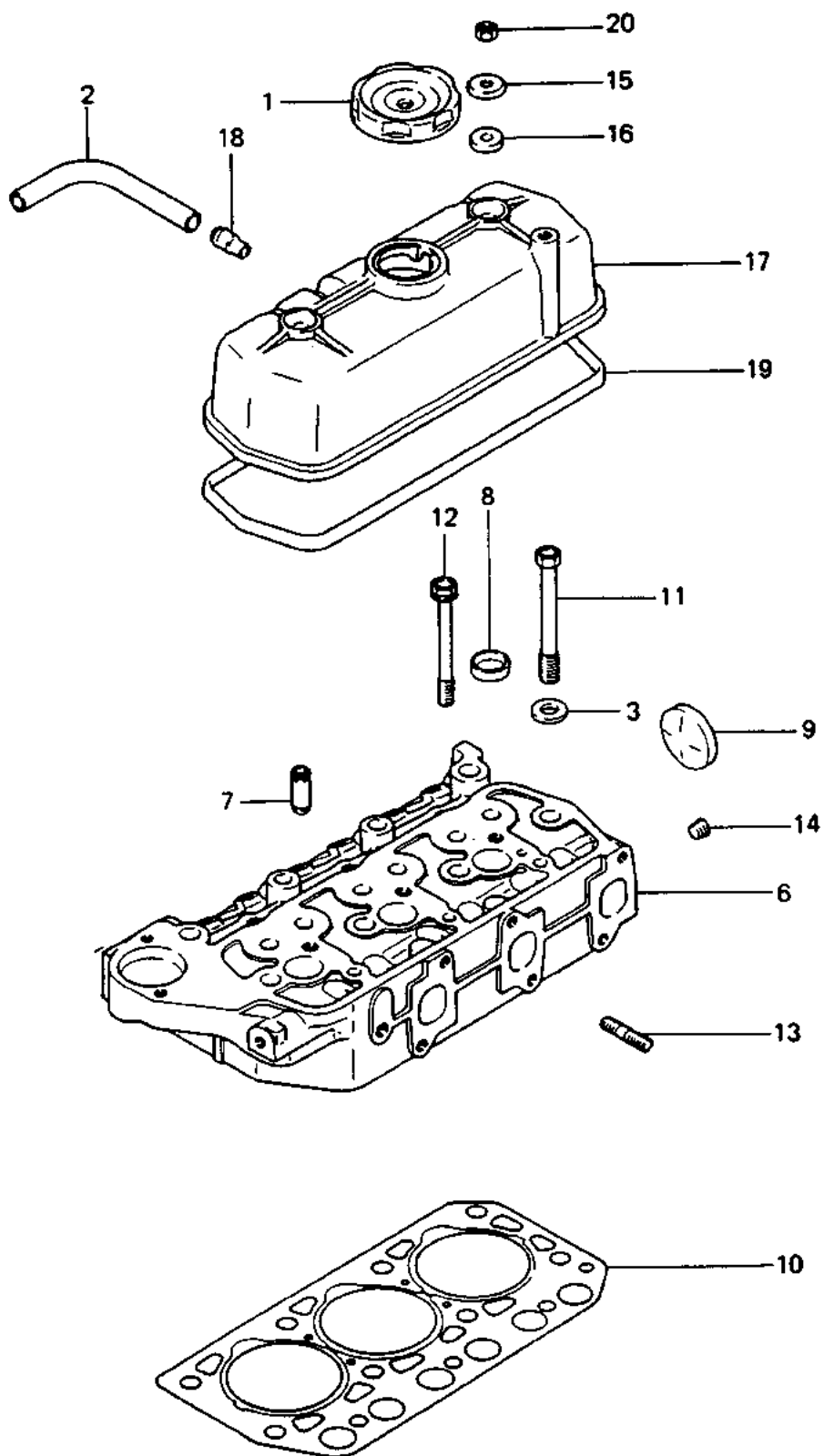
onderdelencatalogus parts catalogue



groep/ group 2	blz./ page 4	type M3.10	omschrijving/description Cilinderkop Cylinder head	datum/date 01 02 99
----------------------	--------------------	---------------	--	------------------------

pos.	qty	part	benaming	description
1	1	STM2532	Vuldop	Oilfiller cap
2	1	STM2533	Pijp	Pipe
3	8	STM2534	Ring	Washer
6	1	STM2535	Cilinderkop (motor nr. 32321 <-)	Cylinder head (n° 32321 <-)
	1	STM2623	Cilinderkop (motor nr. 32322 ->)	Cylinder head (n° 32322 ->)
7	6	STM2536	Klepgeleider	Valve guide
8	3	STM2537	Kap	Cap sealing
9	1	STM2538	Kap	Cap sealing
10	1	STM2539	Cilinderkoppakking	Gasket cylinder head
11	8	STM2540	Bout	Bolt cylinder head
12	3	STM2541	Bout	Bolt cylinder head
13	1	STM2003	Tapeind	Stud
14	1	STM2542	Plug	Plug
15	2	STM2543	Ring	Washer
16	2	STM2544	Keerring	Oil seal
17	1	STM2545	Klepdeksel	Cover rocker
18	1	STM2546	Pijp	Pipe
19	1	STM2547	Pakking klepdeksel	Gasket
20	2	STM2005	Moer	Nut

groep/ group	blz./ page	type	omschrijving/description	datum/date
2	4	M3.10	Cilinderkop Cylinder head	01 10 93



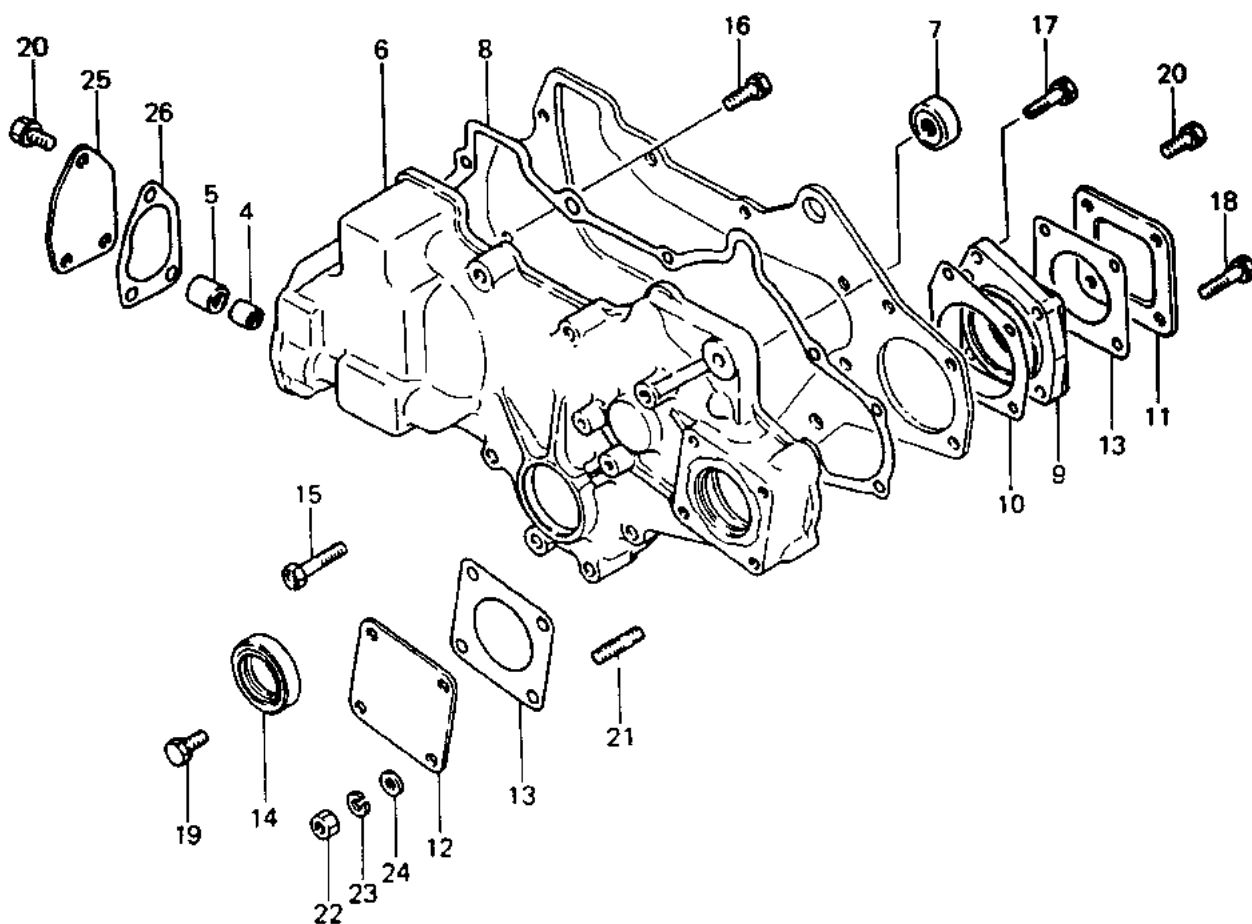
onderdelencatalogus parts catalogue



groep/ group 2	blz./ page 5	type M3.10	omschrijving/description Distributiedeksel Timing gear cover	datum/date 01 10 93
----------------------	--------------------	---------------	--	------------------------

pos.	qty	part	benaming	description
4	1	STM2517	Naaldlager	Needle bearing
5	1	STM2518	Naaldlager	Needle bearing
6	1	STM2519	Distributiedeksel	Case gear
7	1	STM2520	Plug	Plug
8	1	STM2521	Pakking	Gasket
9	1	STM2522	Lagerhuis	Housing bearing
10	1	STM2523	Pakking	Gasket
11	1	STM2524	Deksel	Cover
12	1	STM2525	Deksel	Cover
13	1	STM2526	Pakking	Gasket
14	1	STM3559	Simmerring	Oil seal
15	8	STM2528	Bout	Bolt
16	2	STM3355	Bout	Bolt
17	1	STM7059	Bout	Bolt
18	3	STM1651	Bout	Bolt
19	1	STM3355	Bout	Bolt
20	4	STM4055	Bout	Bolt
21	3	STM2529	Tapeind	Stud
22	3	STM2005	Moer	Nut
23	3	STM1056	Veerring	Washer
24	3	STM1653	Ring	Washer
25	1	STM2530	Deksel	Cover
26	1	STM2531	Pakking	Gasket

groep/ group	blz./ page	type	omschrijving/description	datum/date
2	5	M3.10	Distributiedeksel Timing gear cover	01 10 93



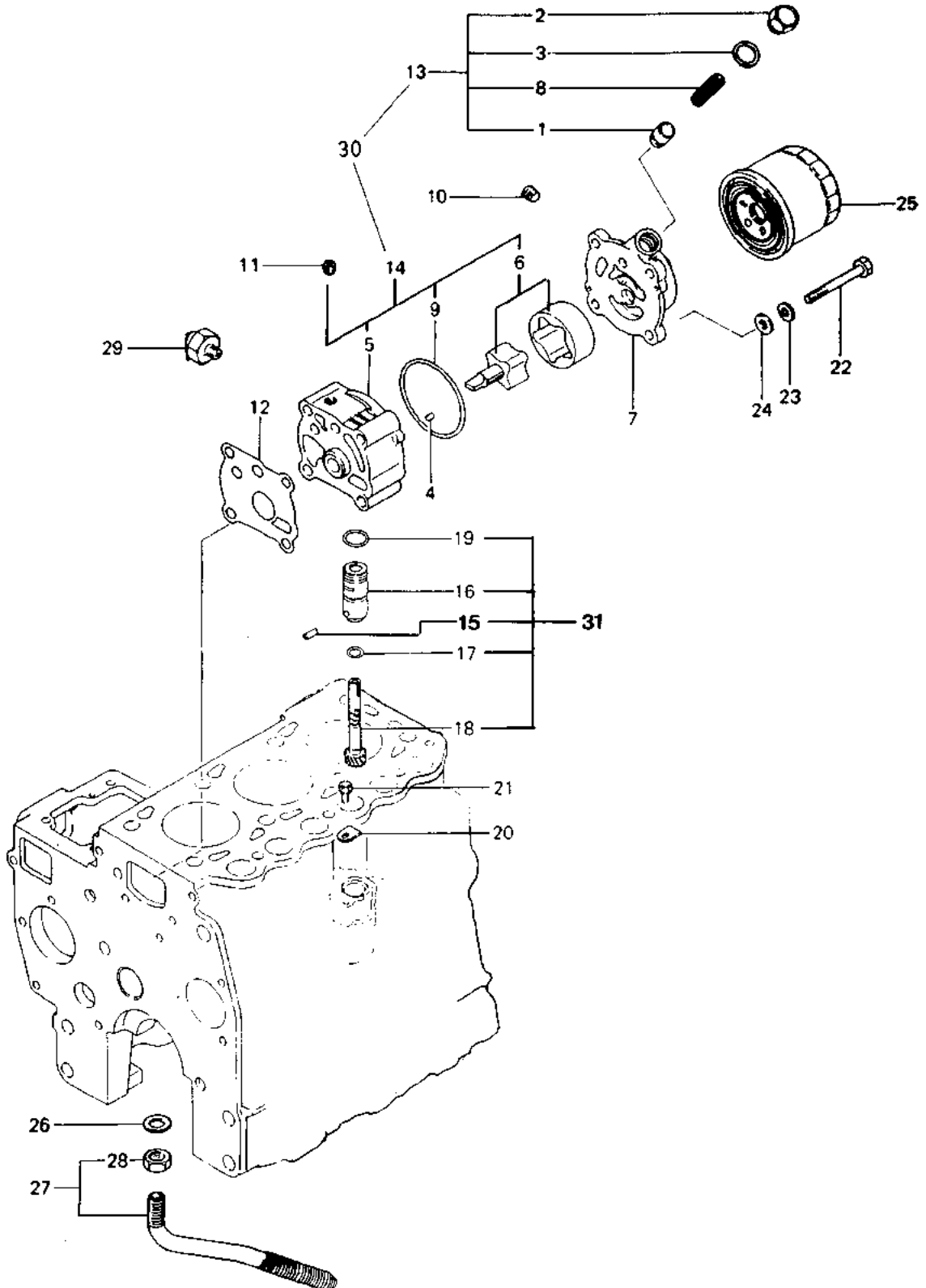
onderdelencatalogus parts catalogue



groep/ group 2	blz./ page 6	type M3.10	omschrijving/description Oliepomp Oil pump	datum/date 01 10 93
----------------------	--------------------	---------------	--	------------------------

pos.	qty	part	benaming	description
1	1	STM2647	Overstortklep	Plunger
2	1	STM2648	Plug	Plug
3	1	STM2649	Pakking	Gasket
4	2	STM2650	Pen	Dowel pin
5	1	STM2651	Huis oliepom	Body oil pump
6	1	STM2652	Rotor compleet	Rotor assy
7	1	STM2653	Deksel oliepom	Cover oil pump
8	1	STM2654	Veer	Spring relief
9	1	STM2655	O-ring	O-ring
10	1	STM2656	Plug	Plug
11	1	STM2657	Plug 1/8	Plug 1/8
12	1	STM2658	Pakking oliepom	Gasket oil pump
13	1	STM2659	Reparatieset	Service kit
14	1	STM2660	Reparatieset	Service kit
15	1	STM3427	Pen	Pin
16	1	STM3426	Bus	Sleeve
17	1	STM2664	O-ring	O-ring
18	1	STM2665	Tandwiel	Gear
19	1	STM2666	O-ring	O-ring
20	1	STM2667	Borgplaat	Locking plate
21	1	STM2668	Bout	Bolt
22	1	STM2669	Bout	Bolt
23	1	STM2670	Ring	Washer
24	1	STM2671	Ring	Washer
25	1	STM0051	Oliefilter	Oil filter
26	1	STM2672	Pakking	Gasket
27	1	STM2673	Aanzuigpijp	Suction pipe
28	1	STM2574	Moer	Nut
29	1	STM2675	Oliedrukschakelaar	Oil pressure switch
30	1	STM2646	Oliepom compleet	Oil pressure switch
31	1	STM3425	TT aandrijving	Tacho drive

groep/ group	blz./ page	type	omschrijving/description	datum/date
2	6	M3.10	Oliepomp Oil pump	01 10 93



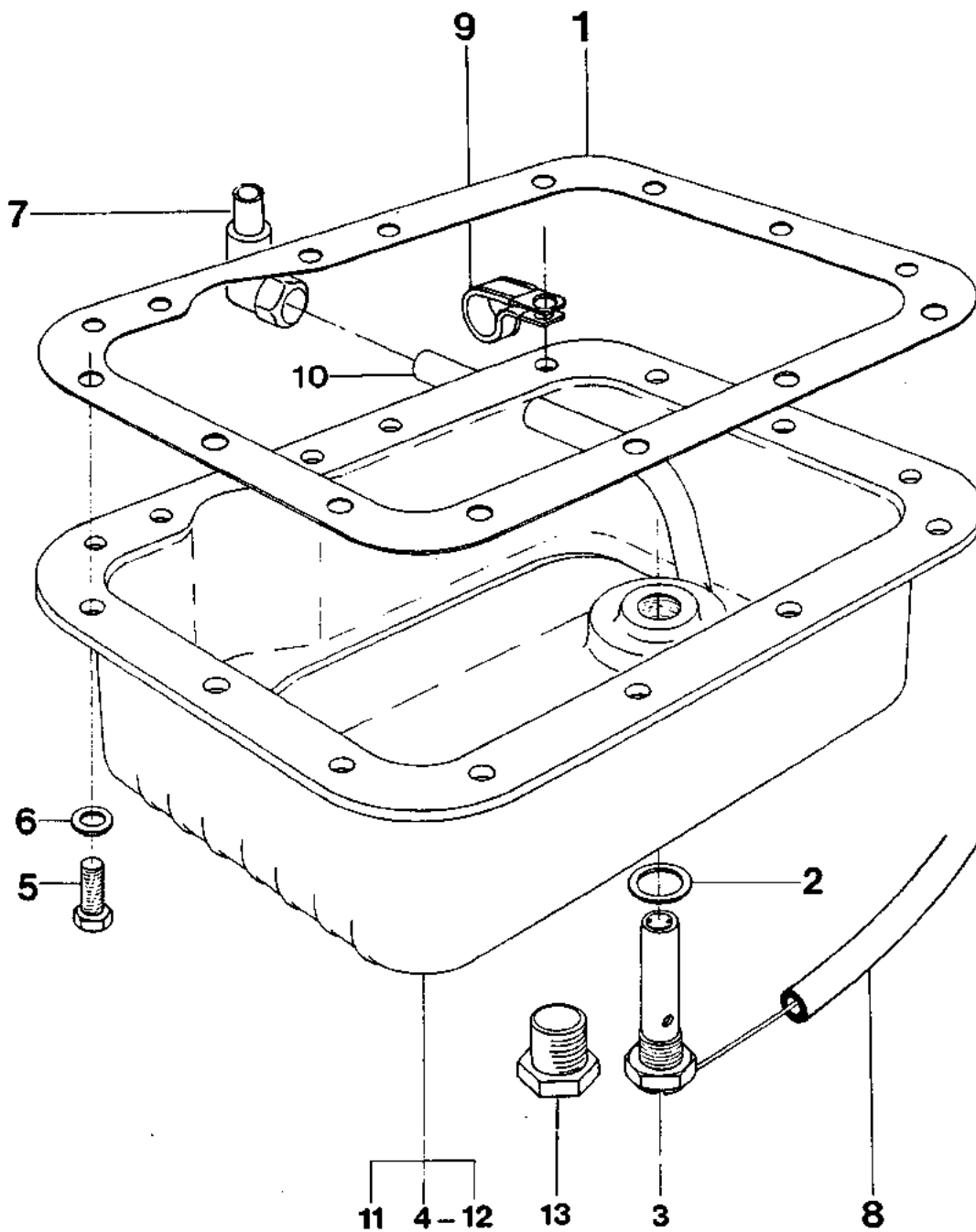
onderdelencatalogus parts catalogue



groep/ group 2	blz./ page 7	type M3.10	omschrijving/description Carterpan Oil sump	datum/date 01 10 93
----------------------	--------------------	---------------	---	------------------------

pos.	qty	part	benaming	description
1	1	STM3352	Pakking	Gasket
2	1	STM3353	Ring	Washer
3	1	STM3354	Olieniveau geveer	Oil level indicator
4	1	STM3351	Carterpan, aluminium	Oil sump, aluminium
5	15	STM3355	Bout	Bolt
6	15	STM1019	Veerring	Washer
7	1	STM3357	Knieklem M	Clamp fitting M
8	1	STM9509	Slang (0,5 m 3376)	Hose (0,5 m 3376)
9	1	STM3066	Leidingklem 12,7 mm	Pipe clamp 12,7 mm
10	1	STM3358	Pijpje carterpan	Pipe oil sump
11	1	STM3350	Carterpan compl. M3 (Pos. 4 + 10)	Oil sump compl. M3 (Pos. 4 + 10)
12	1	STM3369	Carterpan staal M3.10	Oil sump steel M3.10
13	1	STM3035	Plug	Plug

groep/ group	blz./ page	type	omschrijving/description	datum/date
2	7	M3.10	Carterpan Oil sump	01 10 93



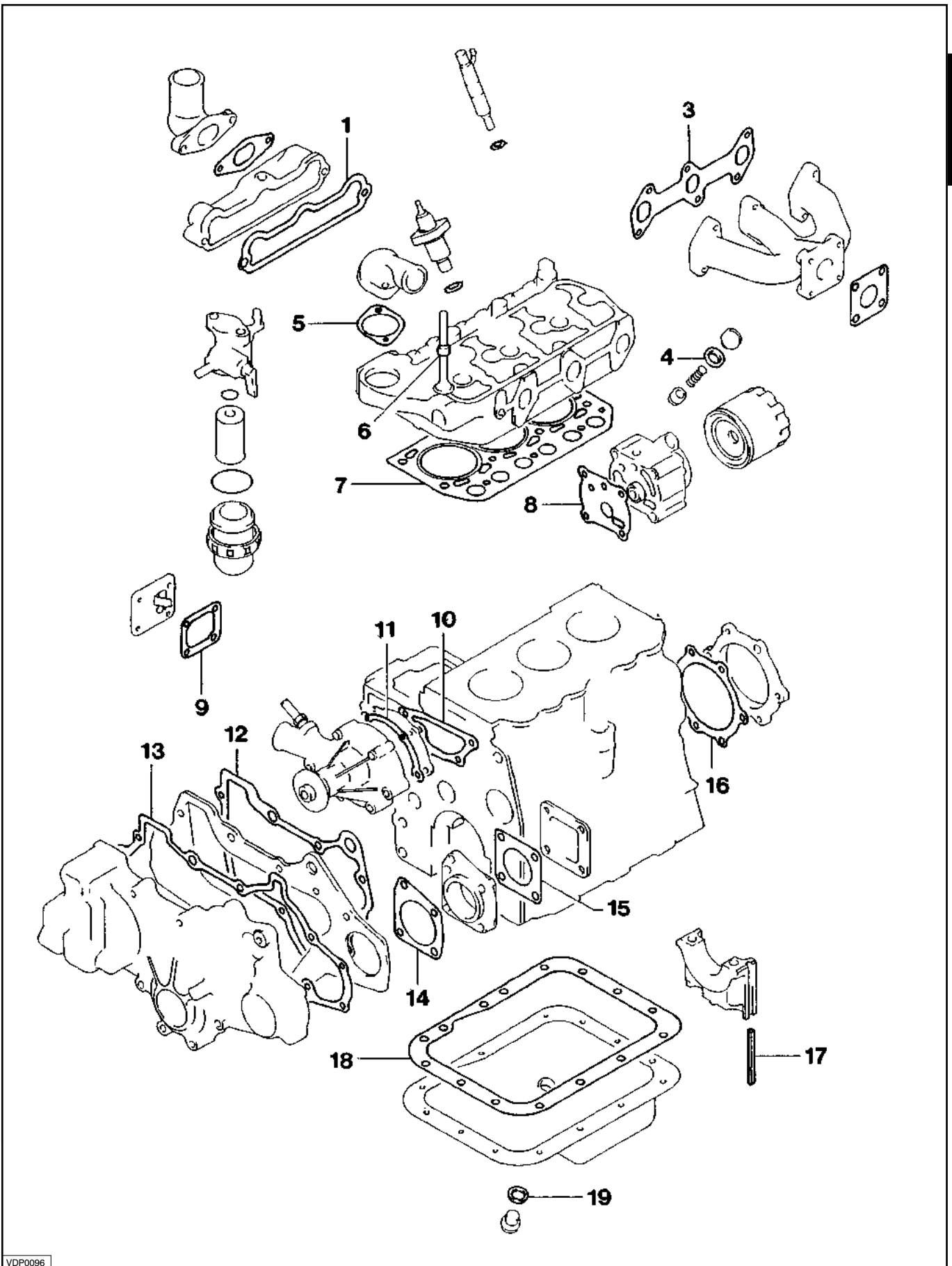
onderdelencatalogus parts catalogue



groep/ group 2	blz./ page 8	type M3.10	omschrijving/description Pakkingset Gasket set	datum/date 01 10 93
----------------------	--------------------	---------------	--	------------------------

pos.	qty	part	benaming	description
1	1	STM2686	Pakking	Gasket
2	3	STM2690	Pakking	Gasket
3	1	STM1051	Pakking	Gasket
4	1	STM2649	Pakking	Gasket
5	1	STM2679	Pakking	Gasket
6	6	STM2589	Afdichting	Seal
7	1	STM2539	Koppakking	Cylinderhead gasket
8	1	STM2658	Pakking	Gasket
9	1	STM2734	Pakking	Gasket
10	1	STM2678	Pakking	Gasket
11	1	STM2682	Pakking	Gasket
12	1	STM2506	Pakking	Gasket
13	1	STM2521	Pakking	Gasket
14	1	STM2523	Pakking	Gasket
15	1	STM2526	Pakking	Gasket
16	1	STM2504	Pakking	Gasket
17	4	STM2620	Pees	Seal
18	2	STM3352	Pakking	Gasket
19	1	STM3353	Ring	Washer
20	1	STM2607	Set	Set

groep/ group	blz./ page	type	omschrijving/description	datum/date
2	8	M3.10	Pakkingset Gasket set	01 10 93



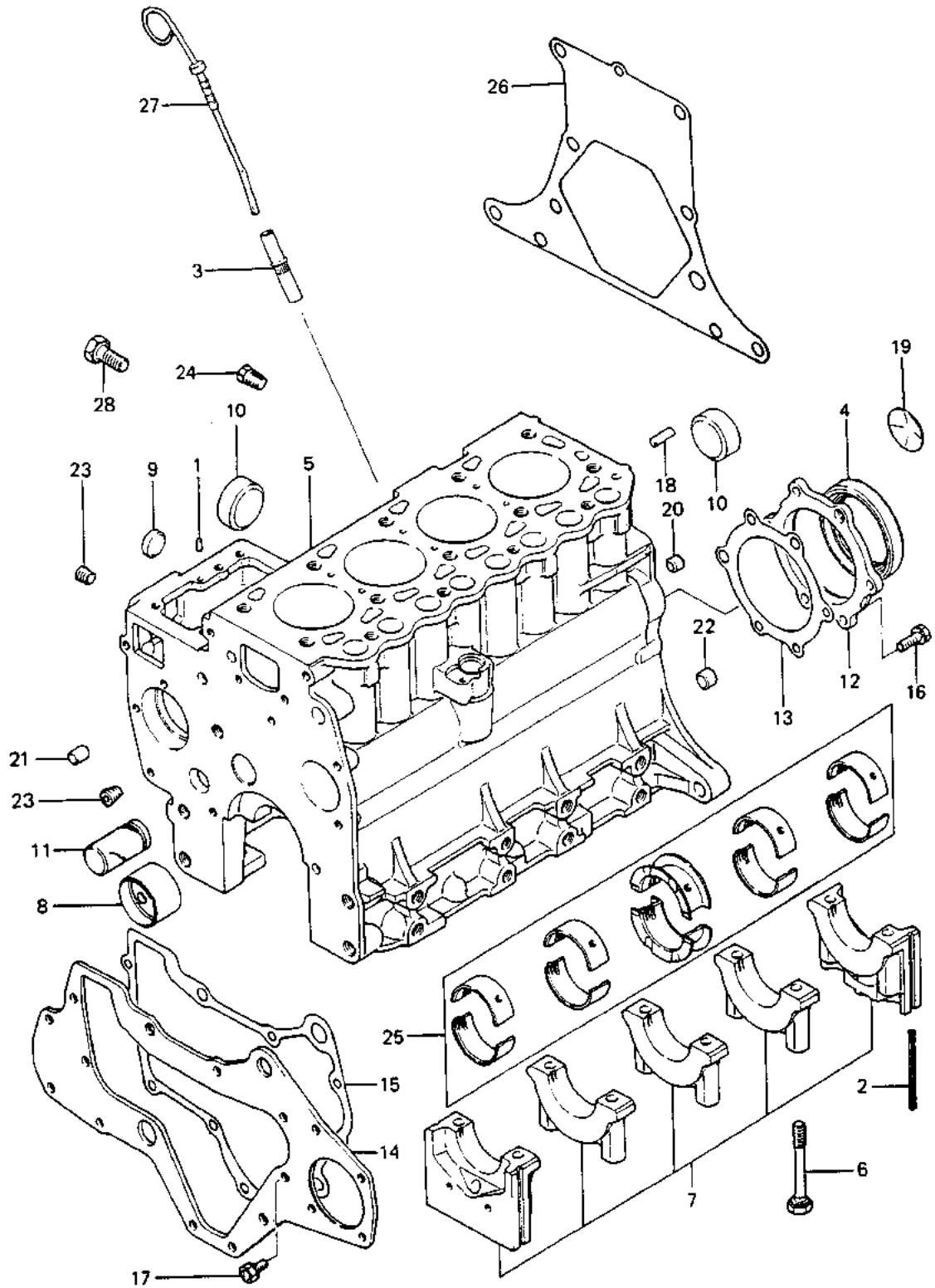
onderdelencatalogus parts catalogue



groep/ group 2	blz./ page 9	type M4.14	omschrijving/description Cilinderblok Cilinderblock	datum/date 01 10 93
----------------------	--------------------	---------------	---	------------------------

pos.	qty	part	benaming	description
1	2	STM2492	Pen	Dowel pin
2	4	STM2493	Pakking	Gasket
3	1	STM3387	Pijp peilstok M4	Guide oil level gauge M4
4	1	STM2495	Simmerring	Oil seal
5 - 10	1	STM3388	Cilinderblok M4	Cilinderblock
6	10	STM2497	Bout	Bolt
8	1	STM2501	Bus	Bush
9	2	STM2537	Kap	Cap sealing
10	3	STM2538	Kap	Cap sealing
11	1	STM2502	As tussenwiel	Shaft idler
12	1	STM2503	Ring	Case oil seal
13	1	STM2504	Pakking	Gasket
14	1	STM2505	Plaat	Plate
15	1	STM2506	Pakking	Gasket
16	6	STM1610	Bout	Bolt
17	3	STM7010	Bout	Bolt
18	1	STM2507	Pen	Dowel pin
19	1	STM2508	Plug	Plug
20	2	STM2509	Bus	Bush
21	2	STM2510	Bus	Bush
22	1	STM2511	Bus	Bush
23	3	STM2512	Plug	Plug
24	1	STM2513	Plug	Plug
25	1	STM3389	Lagerset standaard M4	Bearing set standard M4
	1	STM3390	Lagerset 0,25 OS	Bearing set 0.25 OS
	1	STM3391	Lagerset 0,50 OS	Bearing set 0.50 OS
	1	STM3392	Lagerset 0,75 OS	Bearing set 0.75 OS
26	1	STM3393	Pakking	Gasket
27	1	STM2516	Peilstok	Oil level gauge

groep/ group	blz./ page	type	omschrijving/description	datum/date
2	9	M4.14	Cilinderblok Cylinderblock	01 10 93



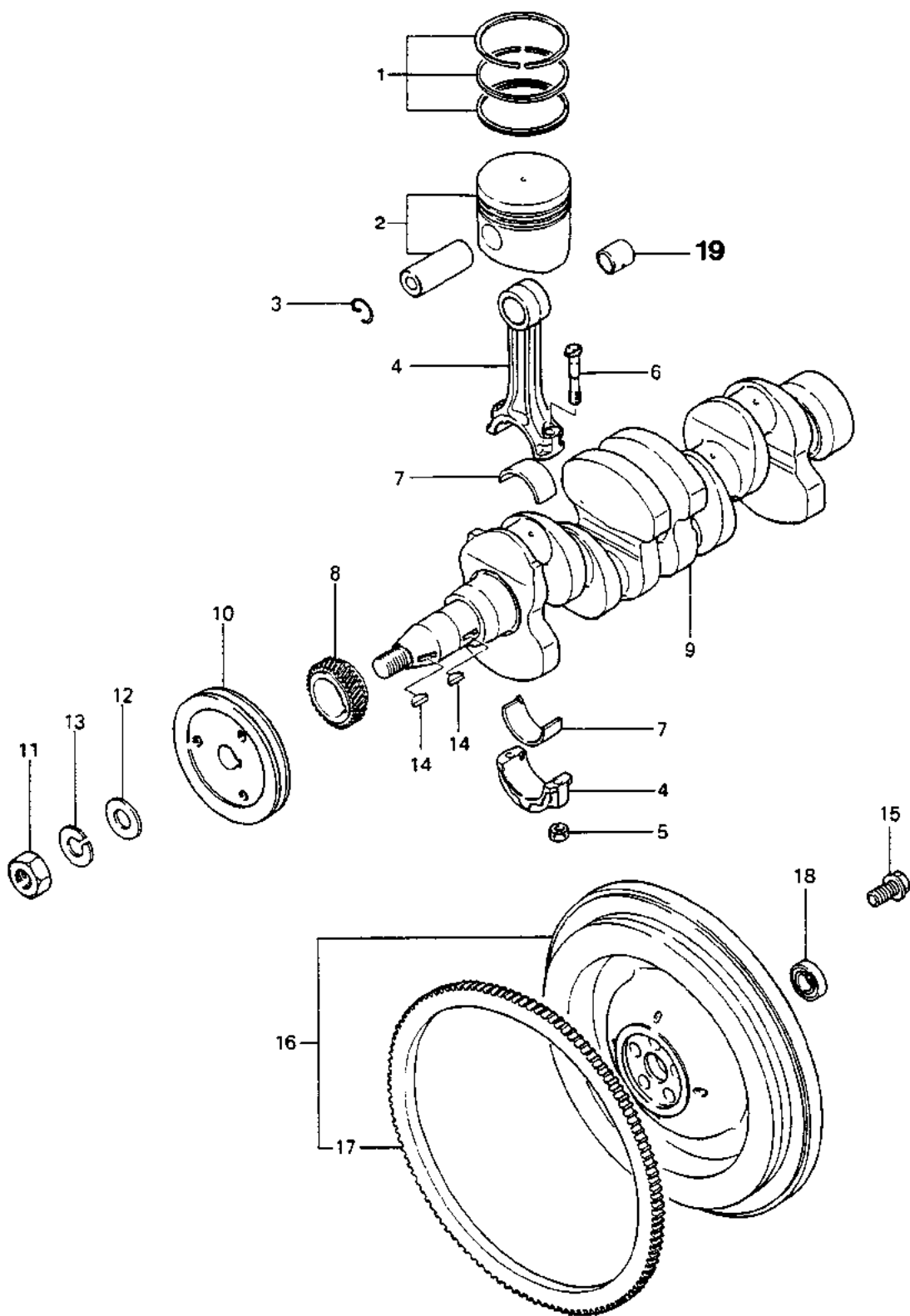
onderdelencatalogus parts catalogue



groep/ group 2	blz./ page 10	type M4.14	omschrijving/description Krukas Crankshaft	datum/date 08 01 02
----------------------	---------------------	---------------	--	------------------------

pos.	qty	part	benaming	description
1	4	STM3430	Set zuigerveren stand. M4	Piston spring set standard
	4	STM3431	Set zuigerveren 0,25 OS	Piston spring set 0.25 OS
	4	STM3432	Set zuigerveren 0,50 OS	Piston spring set 0.50 OS
	4	STM3433	Set zuigerveren 0,75 OS	Piston spring set 0.75 OS
2	4	STM3434	Zuiger en pen standaard	Piston and pin standard
	4	STM3435	Zuiger en pen 0,25 OS	Piston and pin 0.25 OS
	4	STM3436	Zuiger en pen 0,50 OS	Piston and pin 0.50 OS
	4	STM3437	Zuiger en pen 0,75 OS	Piston and pin 0.75 OS
3	8	STM3438	Seegerring	Circlip
4	4	STM3439	Drijfstang	Connection rod M4.14
5	8	STM3586	Moer	Nut
6	8	STM3585	Bout	Bolt
7	4	STM3441	Lager set standaard	Bearing set standard
	4	STM3442	Lager set 0,25 OS	Bearing set 0.25 OS
	4	STM3443	Lager set 0,50 OS	Bearing set 0.50 OS
	4	STM3444	Lager set 0,75 OS	Bearing set 0.75 OS
8	1	STM3445	Krukas tandwiel	Crankshaft gear
9	1	STM3446	Krukas M4.14	Crankshaft M4.14
10	1	STM3447	Krukas pulley M4	Crankshaft pulley M4
11	1	STM2566	Moer	Nut
12	1	STM2567	Ring	Washer
13	1	STM2568	Veerring	Spring washer
14	2	STM2569	Spie	Woodruff Key
15	5	STM3448	Bout	Bolt
16	1	STM2572	Vlieg wiel MM408855	Flywheel MM408855
17	1	STM2573	Starterkrans	Starter gear ring
18	1	STM2574	Lager	Bearing
19	4	STM2611	Lager	Bearing

groep/ group	blz./ page	type	omschrijving/description	datum/date
2	10	M4.14	Krukas Crankshaft	01 10 93



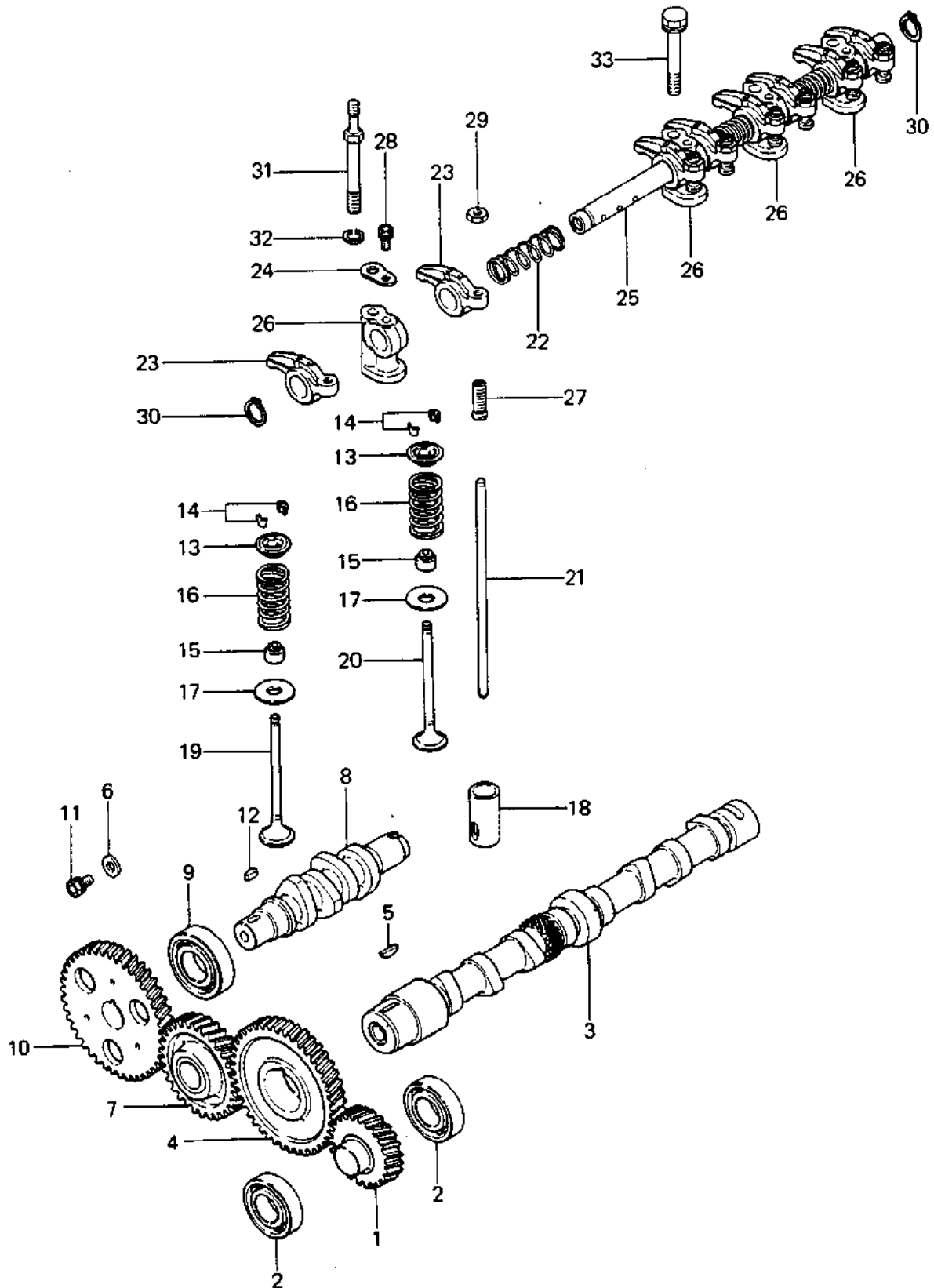
onderdelencatalogus parts catalogue



groep/ group 2	blz./ page 11	type M4.14	omschrijving/description Distributie Timing parts	datum/date 01 02 99
----------------------	---------------------	---------------	---	------------------------

pos.	qty	part	benaming	description
1	1	STM2575	Tandwielpompe	Gear waterpump
2	2	STM3398	Lager	Bearing
3	1	STM3399	Nokkenas	Cam shaft
4	1	STM2578	Tandwiel nokkenas	Gear camshaft
5	1	STM2579	Spie	Key
6	1	STM2580	Ring	Washer
7	1	STM2581	Tandwiel	Gear idler
8	1	STM3400	As injectie pomp	Shaft injection pump
9	1	STM2583	Kogellager	Ball bearing
10	1	STM2584	Tandwiel injectie pomp	Gear can fuel injection pump
11	1	STM2585	Bout	Bolt
12	1	STM2586	Spie	Key
13	8	STM2587	Veerschotel	Retainer valve spring
14	16	STM2588	KlepaspieLock	valve retainer
15	8	STM2589	Keerring	Seal
16	8	STM2590	Klepveer	Valve spring
17	8	STM3401	Veerschotel	Washer
18	8	STM2591	Klepstoter	Tappet
19	4	STM2592	Inlaatklep (motor nr. 42662 <-)	Valve intake (n° 42662 <-)
	4	STM2621	Inlaatklep (motor nr. 42663 ->)	Valve intake (n° 42663 ->)
20	4	STM2593	Uitlaatklep (motor nr. 42662 <-)	Valve exhaust (n° 42662 <-)
	4	STM2622	Uitlaatklep (motor nr. 42663 ->)	Valve exhaust (n° 42663 ->)
21	8	STM2594	Stoterstang	Push rod
22	3	STM2595	Veer tuimelaar	Spring rocker shaft
23	8	STM2596	Tuimelaar	Rocker arm
24	2	STM2597	Plaatje	Washer
25	1	STM3402	Tuimelaar as M4	Rocker shaft M4
26	4	STM2599	Steun tuimelaar as	Stay rocker shaft
27	8	STM2600	Stelschroef	Screw adjust
28	2	STM2601	Bout	Bolt
29	8	STM2602	Moer	Nut
30	2	STM2603	Ring	Ring snap
31	2	STM2604	Bout	Bolt
32	2	STM2606	Veerring	Spring washer
33	2	STM2605	Bout	Bolt

groep/ group	blz./ page	type	omschrijving/description	datum/date
2	11	M4.14	Distributie Timing parts	01 10 93



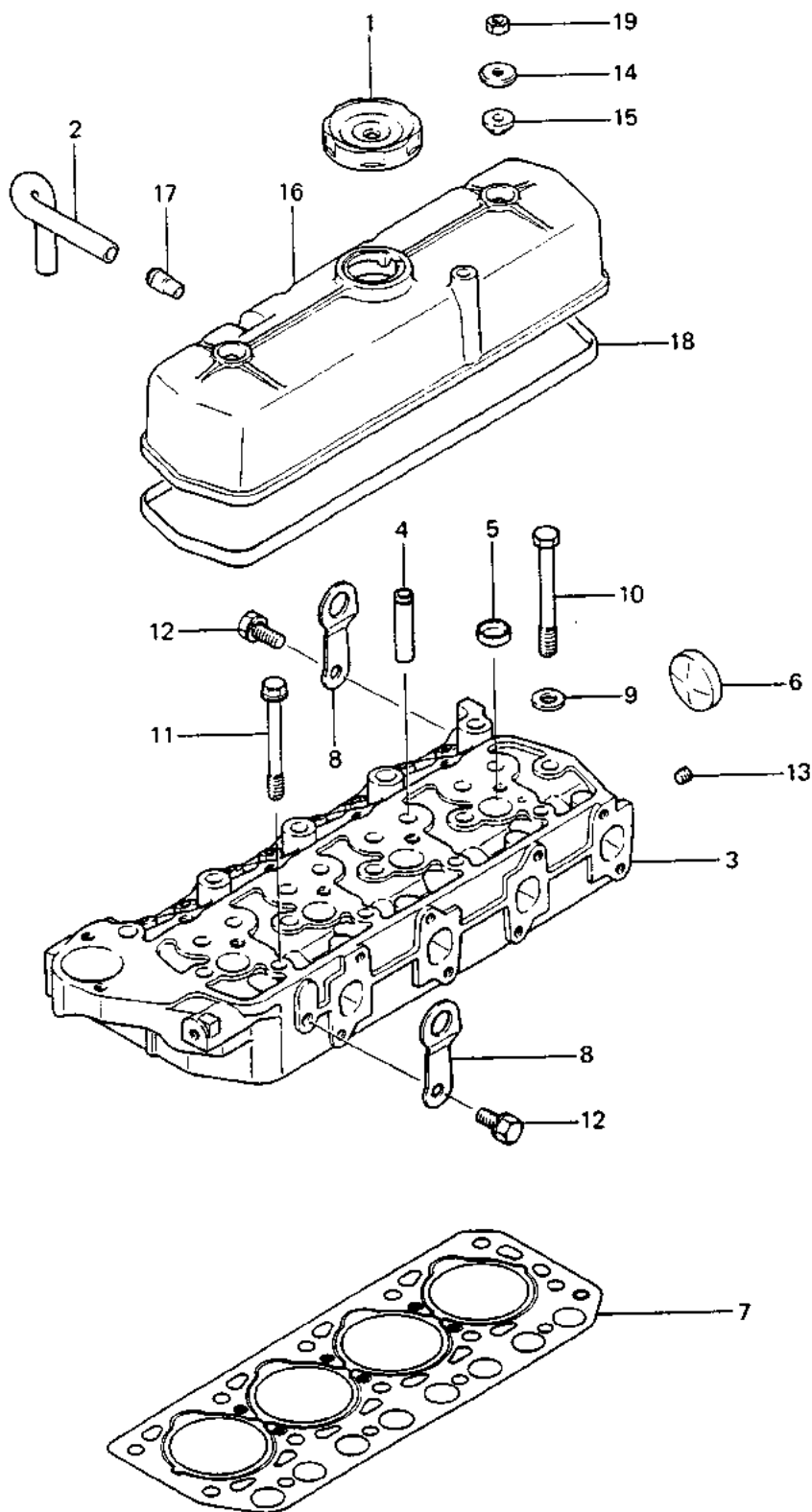
onderdelencatalogus parts catalogue



groep/ group 2	blz./ page 12	type M4.14	omschrijving/description Cilinderkop Cylinder head	datum/date 01 02 99
----------------------	---------------------	---------------	--	------------------------

pos.	qty	part	benaming	description
1	1	STM2532	Vuldop	Oliefiller cap
2	1	STM2533	Pijp	Pipe
3	1	STM3394	Cilinderkop (motor nr. 42662 <-)	Cylinder head (n° 42662 <-)
	1	STM2624	Cilinderkop (motor nr. 42663 ->)	Cylinder haed (n° 42663 ->)
4	8	STM2536	Klepgeleider	Valve guide
5	4	STM2537	Kap	Cap sealing
6	1	STM2538	Kap	Cap sealing
7	1	STM3395	Koppakking M4	Cylinder head gasket M4
9	10	STM2534	Ring	Washer
10	10	STM2540	Bout	Bolt cylinder head
11	4	STM2541	Bout	Bolt cylinder head
13	1	STM2542	Plug	Plug
14	2	STM2543	Ring	Washer
15	2	STM2544	Keerring	Oil seal
16	1	STM3396	Klepdeksel M4	Rocker cover
17	1	STM2546	Pijp	Pipe
18	1	STM3397	Pakking klepdeksel M4	Gasket rocker cover M4
19	2	STM2005	Moer	Nut

groep/ group	blz./ page	type	omschrijving/description	datum/date
2	12	M4.14	Cilinderkop Cylinder head	01 10 93



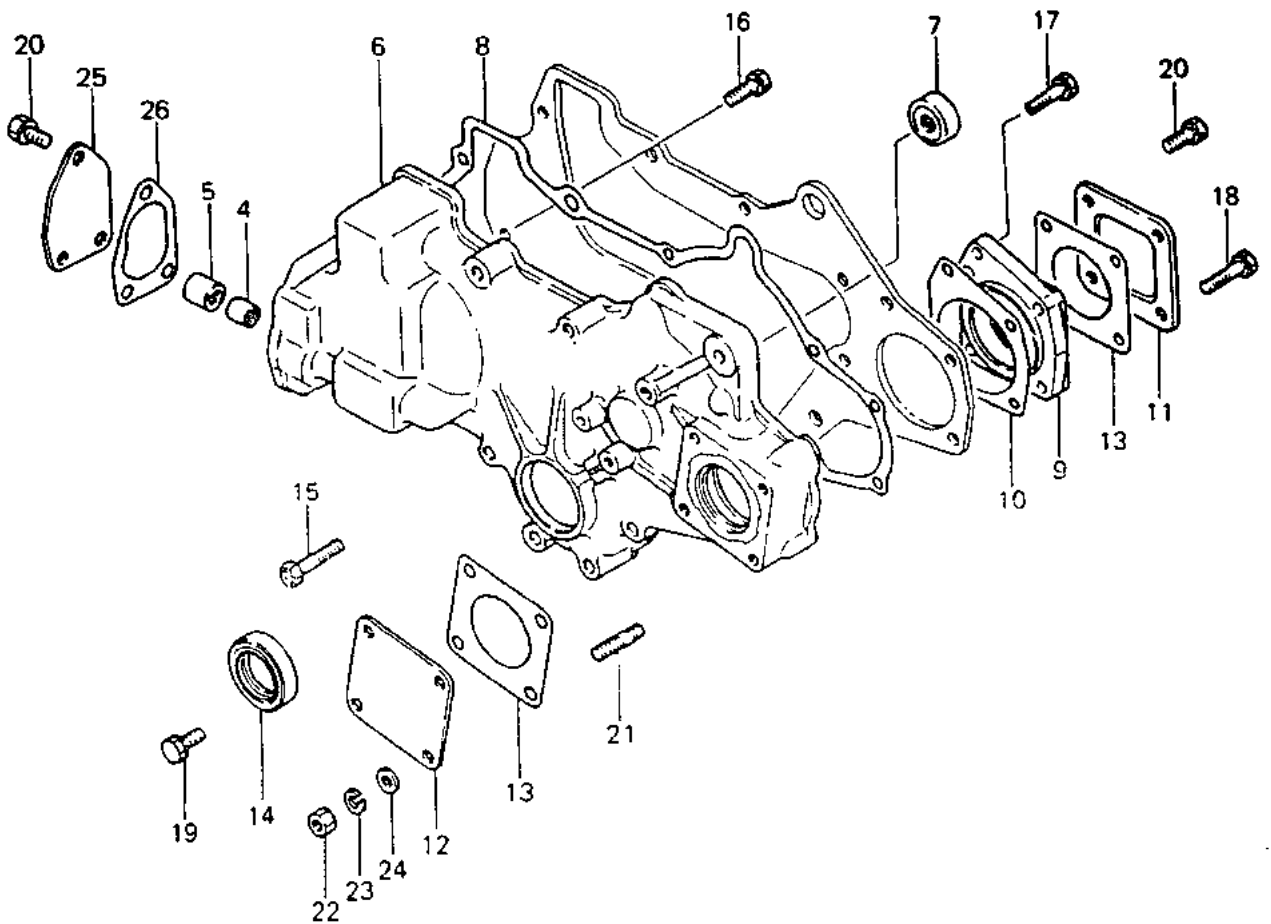
onderdelencatalogus parts catalogue



groep/ group 2	blz./ page 13	type M4.14	omschrijving/description Distributiedeksel Timing gear cover	datum/date 01 10 93
----------------------	---------------------	---------------	--	------------------------

pos.	qty	part	benaming	description
4	1	STM2517	Naaldlager	Needle bearing
5	1	STM2518	Naaldlager	Needle bearing
6	1	STM2519	Distributiedeksel	Case gear
7	1	STM2520	Plug	Plug
8	1	STM2521	Pakking	Gasket
9	1	STM2522	Lagerhuis	Housing bearing
10	1	STM2523	Pakking	Gasket
11	1	STM2524	Deksel	Cover
12	1	STM2525	Deksel	Cover
13	1	STM2526	Pakking	Gasket
14	1	STM3559	Simmerring	Oil seal
15	8	STM2528	Bout	Bolt
16	2	STM3355	Bout	Bolt
17	1	STM7059	Bout	Bolt
18	3	STM1651	Bout	Bolt
19	1	STM3355	Bout	Bolt
20	4	STM4055	Bout	Bolt
21	3	STM2529	Tapeind	Stud
22	3	STM2005	Moer	Nut
23	3	STM1056	Veerring	Washer
24	3	STM1653	Ring	Washer
25	1	STM2530	Deksel	Cover
26	1	STM2531	Pakking	Gasket

groep/ group	blz./ page	type	omschrijving/description	datum/date
2	13	M4.14	Distributiedeksel Timing gear cover	01 10 93



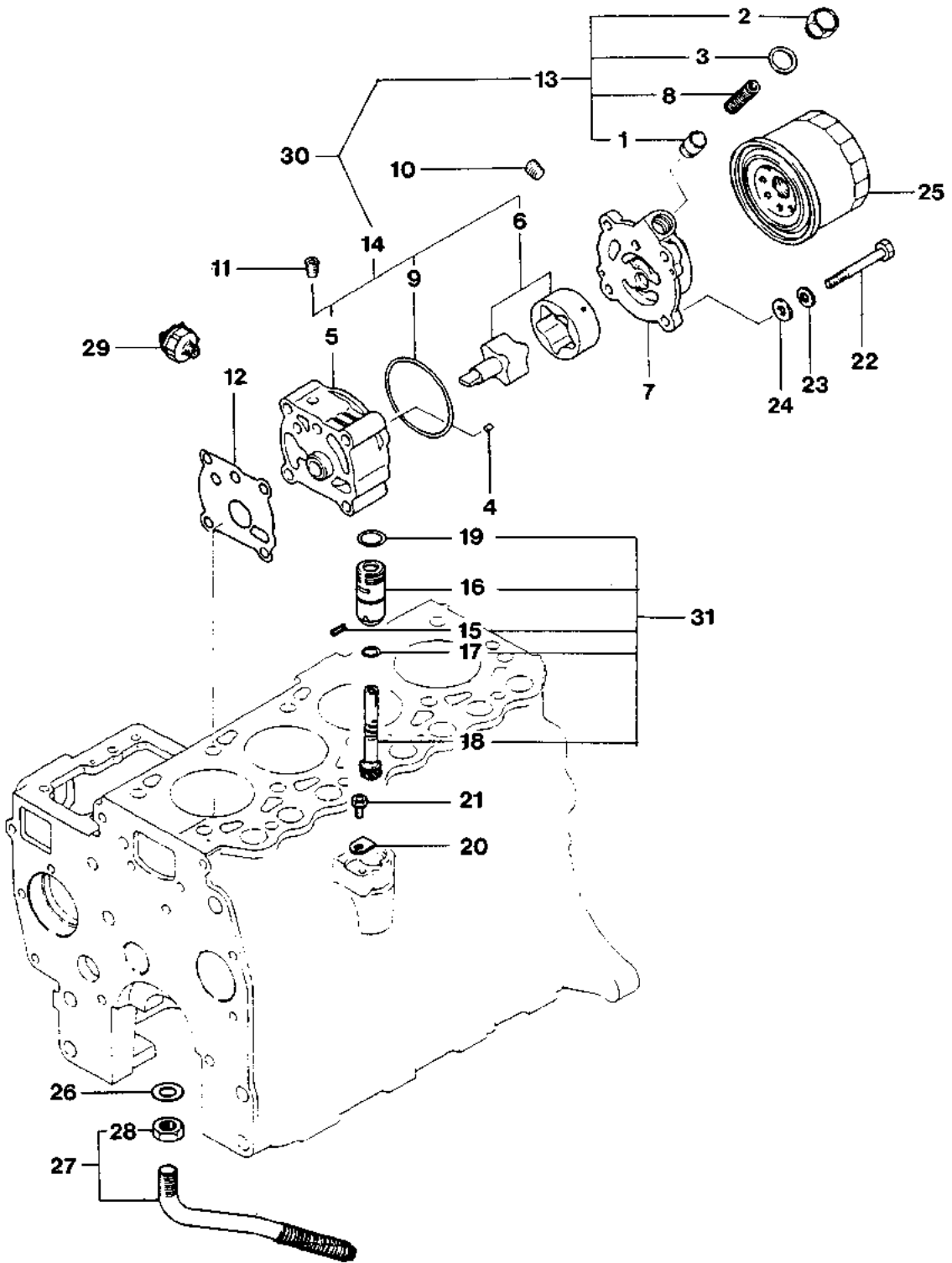
onderdelencatalogus parts catalogue



groep/ group 2	blz./ page 14	type M4.14	omschrijving/description Oliepomp Oil pump	datum/date 01 10 93
----------------------	---------------------	---------------	--	------------------------

pos.	qty	part	benaming	description
1	1	STM2647	Overstortklep	Plunger
2	1	STM2648	Plug	Plug
3	1	STM2649	Pakking	Gasket
4	2	STM2650	Pen	Dowel pin
5	1	STM2651	Huis oliepom	Body oil pump
6	1	STM2652	Rotor compleet	Rotor assy
7	1	STM2653	Deksel oliepom	Cover oil pump
8	1	STM2654	Veer	Spring relief
9	1	STM2655	O-ring	O-ring
10	1	STM2656	Plug	Plug
11	1	STM2657	Plug G1/8	Plug G1/8
12	1	STM2658	Pakking oliepom	Gasket oil pump
13	1	STM2659	Reparatieset	Service kit
14	1	STM2660	Reparatieset	Service kit
15	1	STM3427	Pen	Pin
16	1	STM3426	Bus	Sleeve
17	1	STM2664	O-ring	O-ring
18	1	STM2665	Tandwiel	Gear
19	1	STM2666	O-ring	O-ring
20	1	STM2667	Borgplaat	Locking plate
21	1	STM2668	Bout	Bolt
22	1	STM2669	Bout	Bolt
23	1	STM2670	Ring	Washer
24	1	STM2671	Ring	Washer
25	1	STM0051	Oliefilter	Oil filter
26	1	STM2672	Pakking	Gasket
27	1	STM3428	Aanzuigpijp	Suction pipe
28	1	STM2574	Moer	Nut
29	1	STM2675	Oliedrukschakelaar	Oil pressure switch
30	1	STM3424	Oliepom compleet	Oil pressure switch
31	1	STM3425	TT aandrijving	Tacho drive

groep/ group	blz./ page	type	omschrijving/description	datum/date
2	14	M4.14	Oliepomp Oil pump	01 10 93



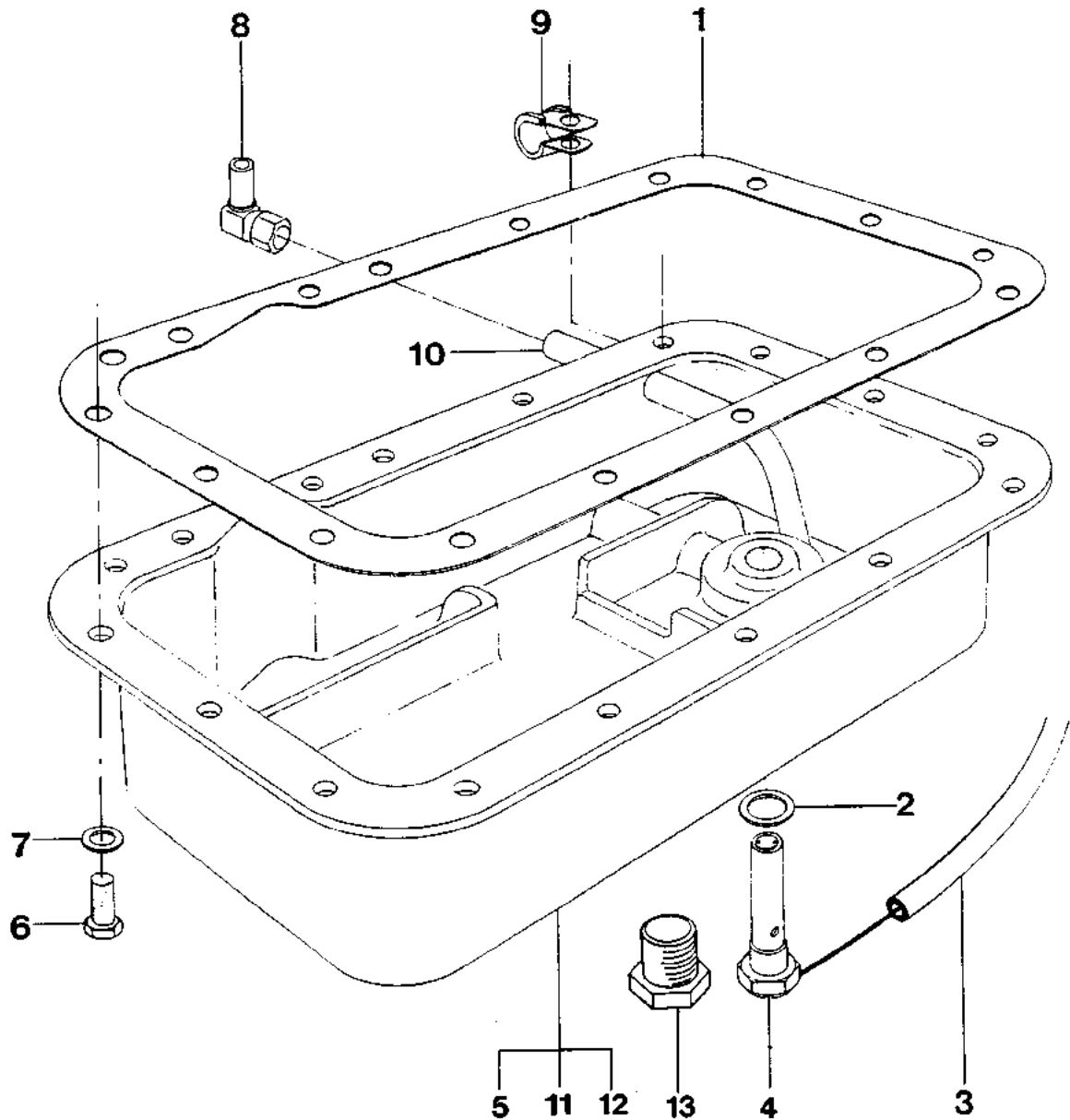
onderdelencatalogus parts catalogue



groep/ group 2	blz./ page 15	type M4.14	omschrijving/description Carterpan Oil sump	datum/date 01 10 93
----------------------	---------------------	---------------	---	------------------------

pos.	qty	part	benaming	description
1	1	STM3360	Carterpakking M4.14	Gasket oil sump M4.14
2	1	STM3353	Ring	Washer
3	1	STM9059	Slang (0,5 m 3376)	Hose (0,5 m 3376)
4	1	STM3354	Olieniveau geveer	Oil level indicator
5	1	STM2804	Carterpan M4.14	Oil sump M4.14
6	17	STM3355	Bout	Bolt
7	17	STM1019	Veerring	Washer
8	1	STM3357	Knieklem M	Clamp fitting M
9	1	STM3066	Leidingklem 12,7 mm	Pipe clamp 12,7 mm
10	1	STM3358	Pijpje carterpan	Pipe oil sump
11	1	STM3349	Carterpan compl. M4 (Pos 5 + 10)	Oil sump compl. M4 (Pos 5 + 10)
12	1	STM3370	Carterpan staal M4.14	Oil sump steel M4.14
13	1	STM3035	Plug	Plug

groep/ group	blz./ page	type	omschrijving/description	datum/date
2	15	M4.14	Carterpan Oil sump	01 10 93



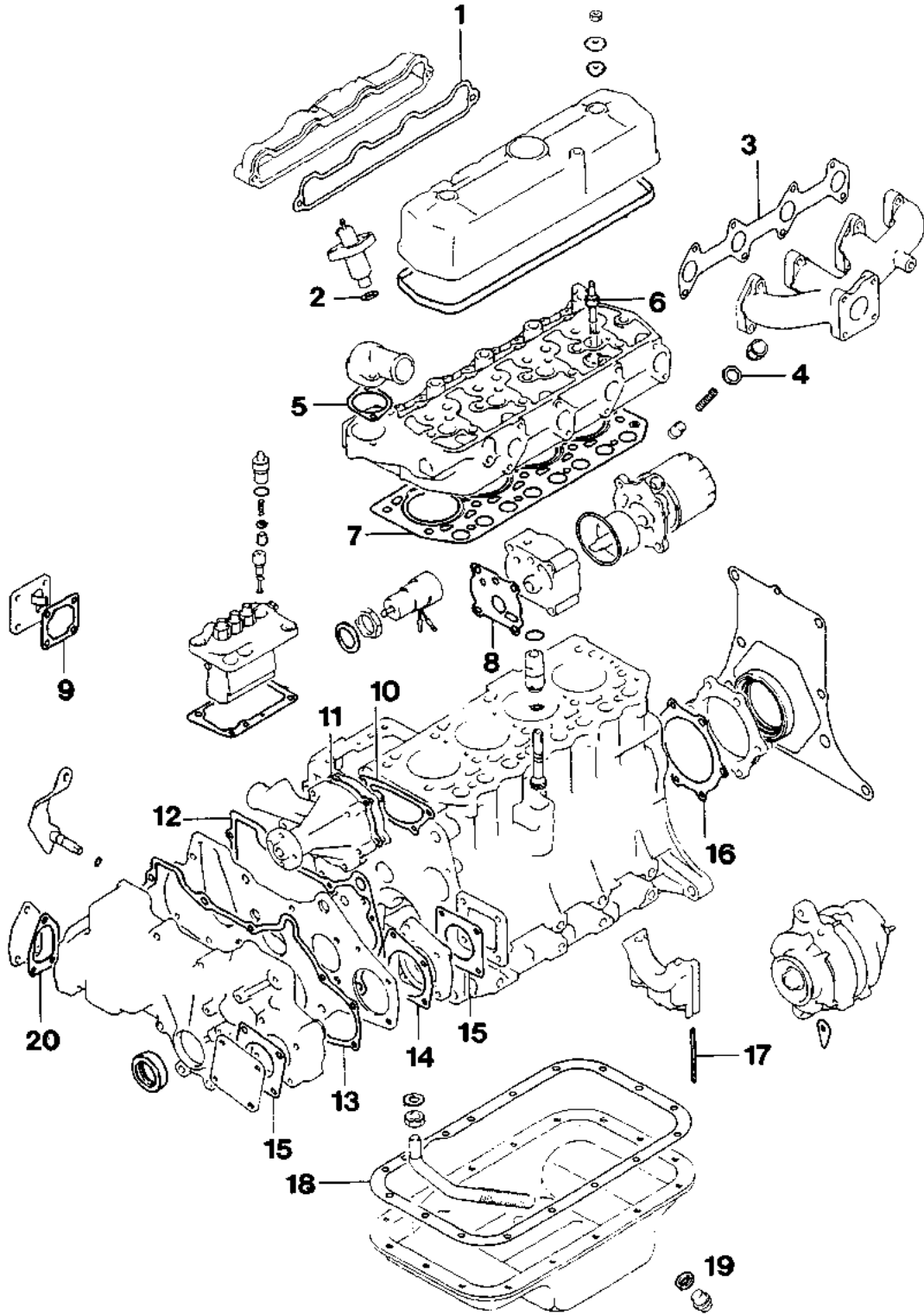
onderdelencatalogus parts catalogue



groep/ group 2	blz./ page 16	type M4.14	omschrijving/description Pakkingset Gasket set	datum/date 01 10 93
----------------------	---------------------	---------------	--	------------------------

pos.	qty	part	benaming	description
1	1	STM3420	Pakking	Gasket
2	4	STM2690	Pakking	Gasket
3	1	STM3043	Pakking	Gasket
4	2	STM2649	Pakking	Gasket
5	1	STM2679	Pakking	Gasket
6	8	STM2589	Afdichting	Seal
7	1	STM3395	Cylinderkoppakking	Cylinderhead gasket
8	1	STM2658	Pakking	Gasket
9	1	STM2734	Pakking	Gasket
10	2	STM2678	Pakking	Gasket
11	1	STM2682	Pakking	Gasket
12	1	STM2506	Pakking	Gasket
13	1	STM2521	Pakking	Gasket
14	1	STM2523	Pakking	Gasket
15	2	STM2526	Pakking	Gasket
16	1	STM2504	Pakking	Gasket
17	4	STM2620	Pees	Seal
18	1	STM3360	Pakking	Gasket
19	1	STM3353	Ring	Washer
20	1	STM2531	Pakking	Gasket
21	1	STM3449	Set	Set

groep/ group	blz./ page	type	omschrijving/description	datum/date
2	16	M4.14	Pakkingset Gasket set	01 10 93



onderdelencatalogus parts catalogue



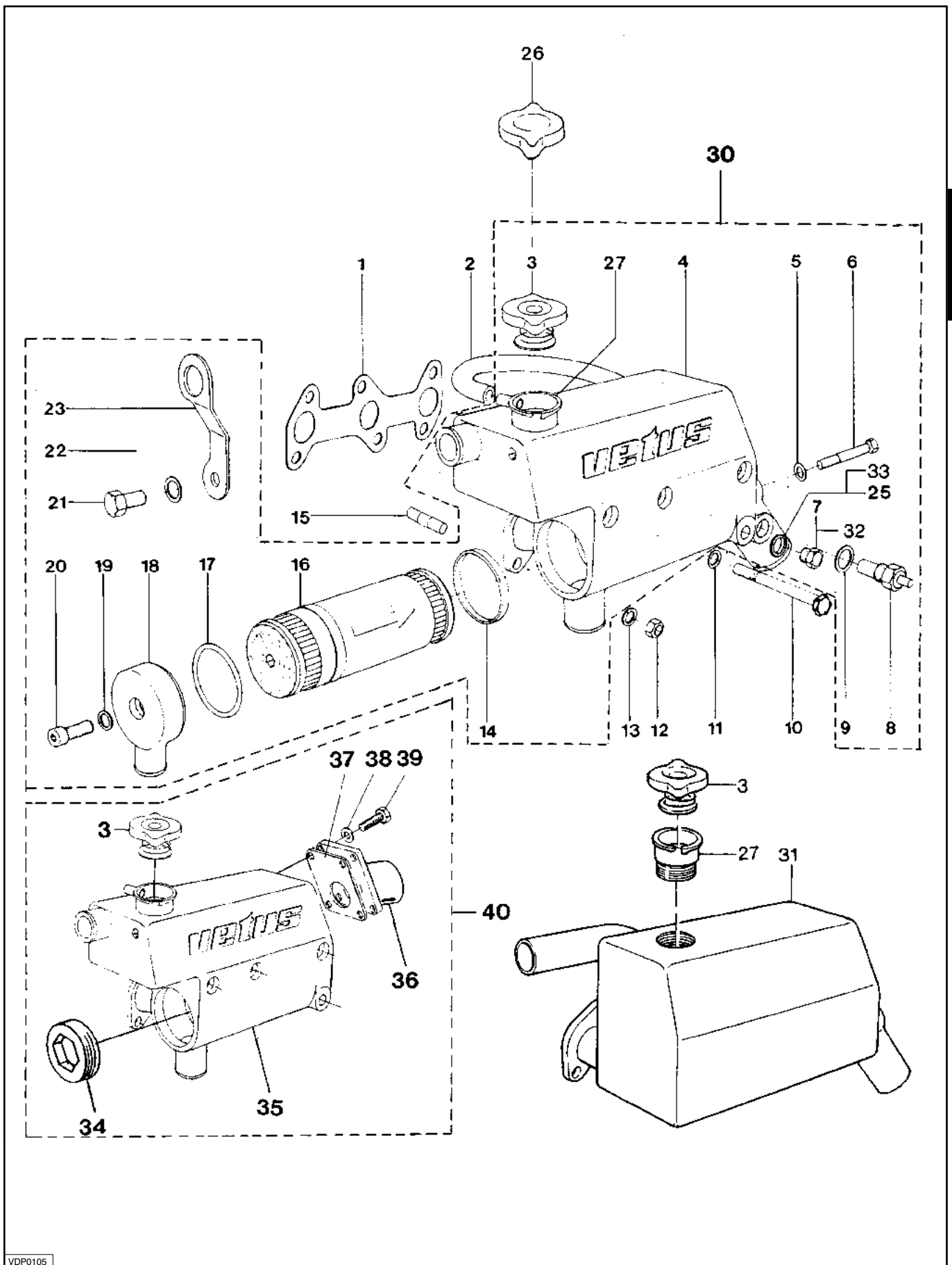
groep/ group 3	blz./ page 1	type M3.10	omschrijving/description W. Wisselaarhuis - Uitlaatspruitstuk Heat exchanger housing - Manifold	datum/date 01 02 99
----------------------	--------------------	---------------	---	------------------------

pos.	qty	part	benaming	description
1	1	STM1051	Pakking	Gasket
2	1	STM1027	Slang	Hose
3	1	STM1017	Vuldop	Filling cap
4	1	STM1551	Huis	Housing
5	1	STM1007	Ring	Washer
6	1	STM1052	Bout	Bolt
7	1	STM1059	Plug M14	Plug M14
8	1	STM2006	Thermocontact	Thermo switch
9	1	STM2019	Ring	Washer
10	3	STM1055	Bout	Bolt
11	3	STM1019	Veerring	Washer
12	3	STM2005	Moer	Nut
13	3	STM1056	Veerring	Washer
14	1	STM1060	Rubber ring	Rubber seal
15	3	STM2003	Tapeind	Stud
16	1	STM1450	Pijpenbundel M3.10	Tubestack M3.10
17	1	STM1005	O-ring	O-ring
18	1	STM1053	Deksel	Cover
19	1	STM1007	Ring	Washer
20	1	STM1057	Bout	Bolt
21	1	STM7010	Bout	Bolt
22	1	STM1056	Veerring	Washer
23	1	STM1058	Hijsoog	Lift eye
25	1	STM1062	Ring	Washer
26	1	STM9507	Vuldop 'do not open'	Filling cap 'do not open'
27	1	STM1515	Vulnek compleet M36	Filling neck complete M36
30	1	STM1550	Huis compleet	Housing complete
31	1	STM3741	Kielkoel spruitstuk	Manifold
32	1	STM3035	Plug	Plug
33	1	STM3353	Ring	Washer
34	2	STM4043	Plug G 1 1/2	Plug G 1 1/2
35	1	STM4046	Kielkoel spruitstuk M3-89	Manifold
36	1	STM4045	Uitlaatflens G 1 1/4	Exhaust flange
37	1	STM3046	Pakking	Gasket
38	4	STM1056	Veerring	Washer
39	4	STM1610	Bout	Bolt
40	1	STM4047	Kielkoelspruitstuk compl.	Manifold

onderdelencatalogus parts catalogue



groep/ group	blz./ page	type	omschrijving/description	datum/date
3	1	M3.10	W. Wisselaarhuis - Uitlaatspruitstuk Heat exchanger housing - Manifold	01 02 99



3

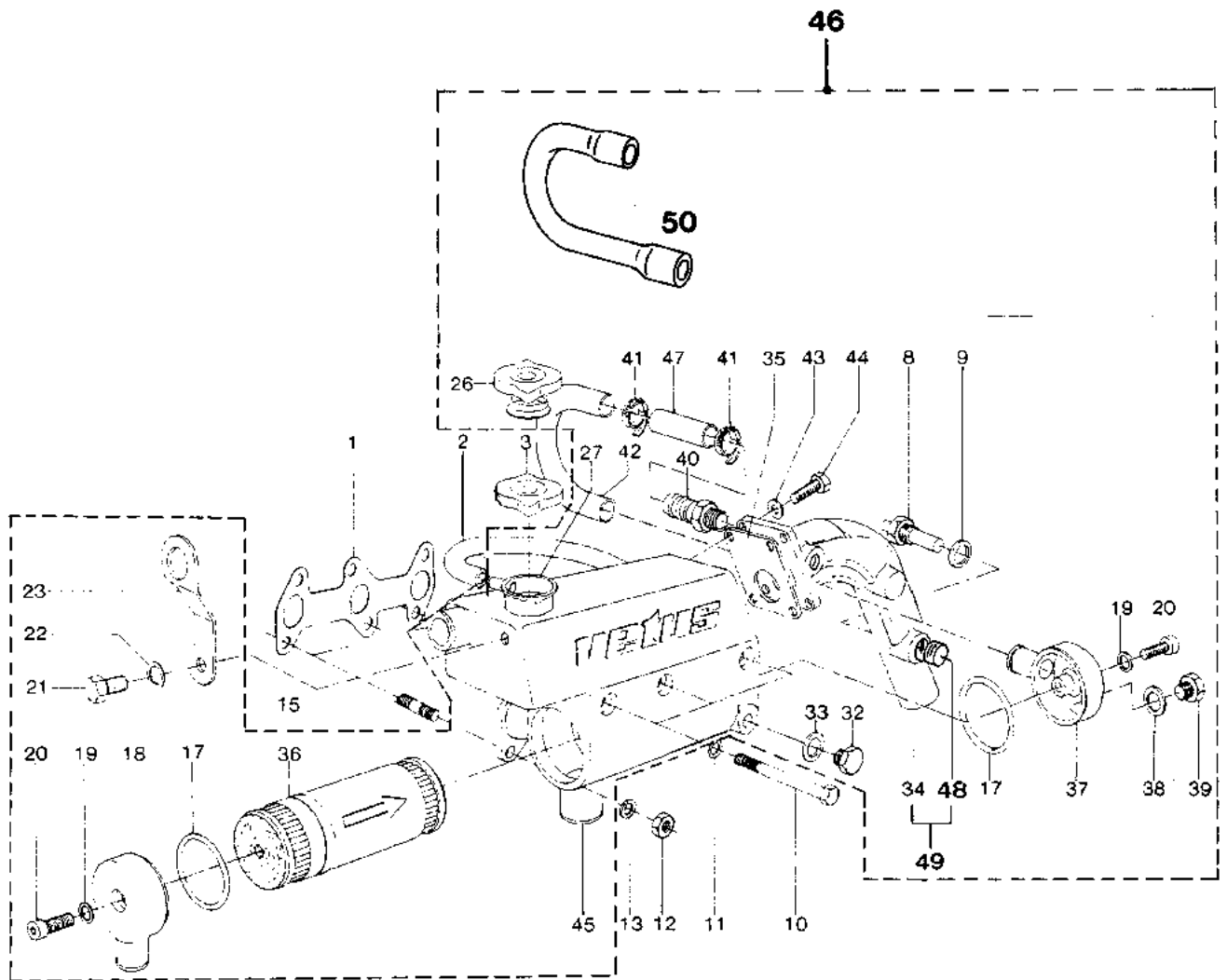
onderdelencatalogus parts catalogue



groep/ group 3	blz./ page 1a	type M3.10	omschrijving/description W. Wisselaarhuis - Uitlaatspruitstuk Heat exchanger housing - Manifold	datum/date 01 02 99
----------------------	---------------------	---------------	---	------------------------

pos.	qty	part	benaming	description
1	1	STM1051	Pakking	Gasket
2	1	STM1027	Slang	Hose
3	1	STM1017	Vuldop	Filling cap
8	1	STM2006	Thermocontact	Thermo switch
9	1	STM2019	Ring	Washer
10	3	STM1055	Bout	Bolt
11	3	STM1019	Veerring	Washer
12	3	STM2005	Moer	Nut
13	3	STM1056	Veerring	Washer
15	3	STM2003	Tapeind	Stud
17	2	STM1005	O-ring	O-ring
18	1	STM1053	Deksel	Cover
19	2	STM1007	Ring	Washer
20	1	STM1057	Bout	Bolt
21	1	STM7010	Bout	Bolt
22	1	STM1056	Veerring	Washer
23	1	STM1058	Hijsoog	Lift eye
26	1	STM9507	Vuldop 'do not open'	Filling cap 'do not open'
27	1	STM1515	Vulnek compleet M36	Filling neck complete M36
32	1	STM3035	Plug M18	Plug M18
33	1	STM3353	Ring	Washer
34	1	STM3049	Uitlaat injectiebocht	Exhaust injection pipe
35	1	STM3046	Pakking	Gasket
36	1	STM3050	Warmtewisselaar M3-87	Heat exchanger M3-87
37	1	STM3048	Deksel	Cover
38	1	STM1062	Ring	Ring
39	1	STM1059	Plug	Plug
40	1	STM7061	Slangpilaar	Hose pillar
41	4	STM2012	Slangklem	Hose clamp
42	1	STM3892	Pijp	Pipe
43	4	STM1056	Ring	Ring
44	4	STM1610	Bout	Bolt
45	1	STM3895	Warmtewisselaarhuis M3-87	Heat exchanger housing M3-87
46	1	STM3896	Warmtewisselaarhuis compl	Heat exchanger housing compl.
47	2	STM7062	Slang	Hose
48	3	STM3071	Plug G 3/8	Plug G 3/8
49	1	STM3076	Inj. bocht+pluggen 48+34	Injection pipe+plugs 48+34
50	1	STM3093	Slang	Hose

groep/ group	blz./ page	type	omschrijving/description	datum/date
3	1a	M3.10	W. Wisselaarhuis - Uitlaatspruitstuk Heat exchanger housing - Manifold	25 03 98



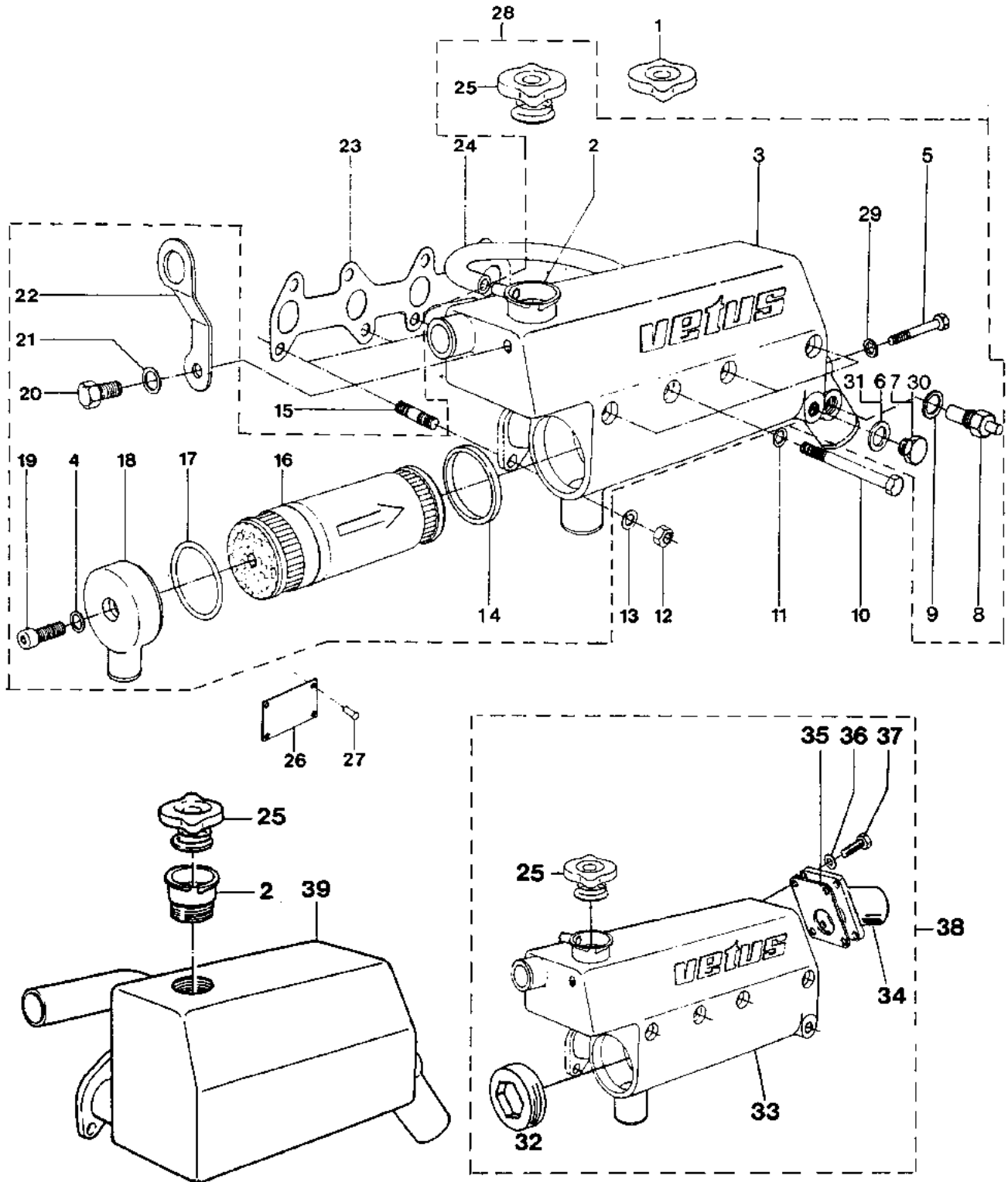
onderdelencatalogus parts catalogue



groep/ group 3	blz./ page 2	type M4.14	omschrijving/description W. wisselaarhuis - uitlaatspruitstuk Heat exchanger - Exh. manifold	datum/date 01 10 93
----------------------	--------------------	---------------	--	------------------------

pos.	qty	part	benaming	description
1	1	STM9507	Vuldop 'do not open'	Filling cap 'do not open'
2	1	STM1515	Vulnek compleet M36	Filling neck complete M36
3	1	STM3040	Warmtewisselaarhuis M4.14	Heat exhaust housing M4.14
4	1	STM1007	Ring	Washer
5	1	STM3044	Bout RVS M4.14	Bolt SS M4.14
6	1	STM1062	Ring	Washer
7	1	STM1059	Plug	Plug
8	1	STM2006	Thermocontact	Thermo switch
9	1	STM2019	Ring	Washer
10	4	STM1055	Bout	Bolt
11	4	STM1019	Veerring	Washer
12	4	STM2005	Moer	Nut
13	4	STM1056	Veerring	Washer
14	1	STM1060	Rubber ring	Rubber seal
15	4	STM2003	Tapeind	Stud
16	1	STM3041	Pijpenbundel M4.14	Tube stack M4.14
17	1	STM1005	O-ring	O-ring
18	1	STM1053	Deksel	Cover
19	1	STM1057	Bout	Bolt
20	1	STM7010	Bout	Bolt
21	1	STM1056	Veerring	Washer
22	1	STM1058	Hijsoog	Lift eye
23	1	STM3043	Uitlaatpakking M4.14	Exhaust gasket M4.14
24	1	STM1027	Slang	Hose
25	1	STM1017	Vuldop 280 4 LBS	Filling cap 4 LBS
26	1	STM1054	Type plaatje	Type plate
27	4	STM1061	Kerfnagel	Nail
28	1	STM3042	Warmtewisselaarhuis M4.14	Heat exhaust housing M4.14 cpl
29	1	STM2018	Ring	Washer
30	1	STM3035	Plug	Plug
31	1	STM3353	Ring	Ring
32	2	STM4043	Plug G1 1/2	Plug
33	1	STM4044	Kielkoelspruitstuk M4-'89	Manifold
34	1	STM4045	Uitlaatflens G 1 1/4	Flange
35	1	STM3046	Pakking	Gasket
36	4	STM1056	Veerring	Washer
37	4	STM1610	Bout	Bolt
38	1	STM4048	Kielkoelspruitstuk M4-'89	Manifold
39	1	STM3819	Kielkoelspruitstuk	Manifold

groep/ group	blz./ page	type	omschrijving/description	datum/date
3	2	M4.14	W. wisselaarhuis - uitlaatspruitstuk Heat exchanger - Exh. manifold	01 10 93



3

onderdelencatalogus parts catalogue



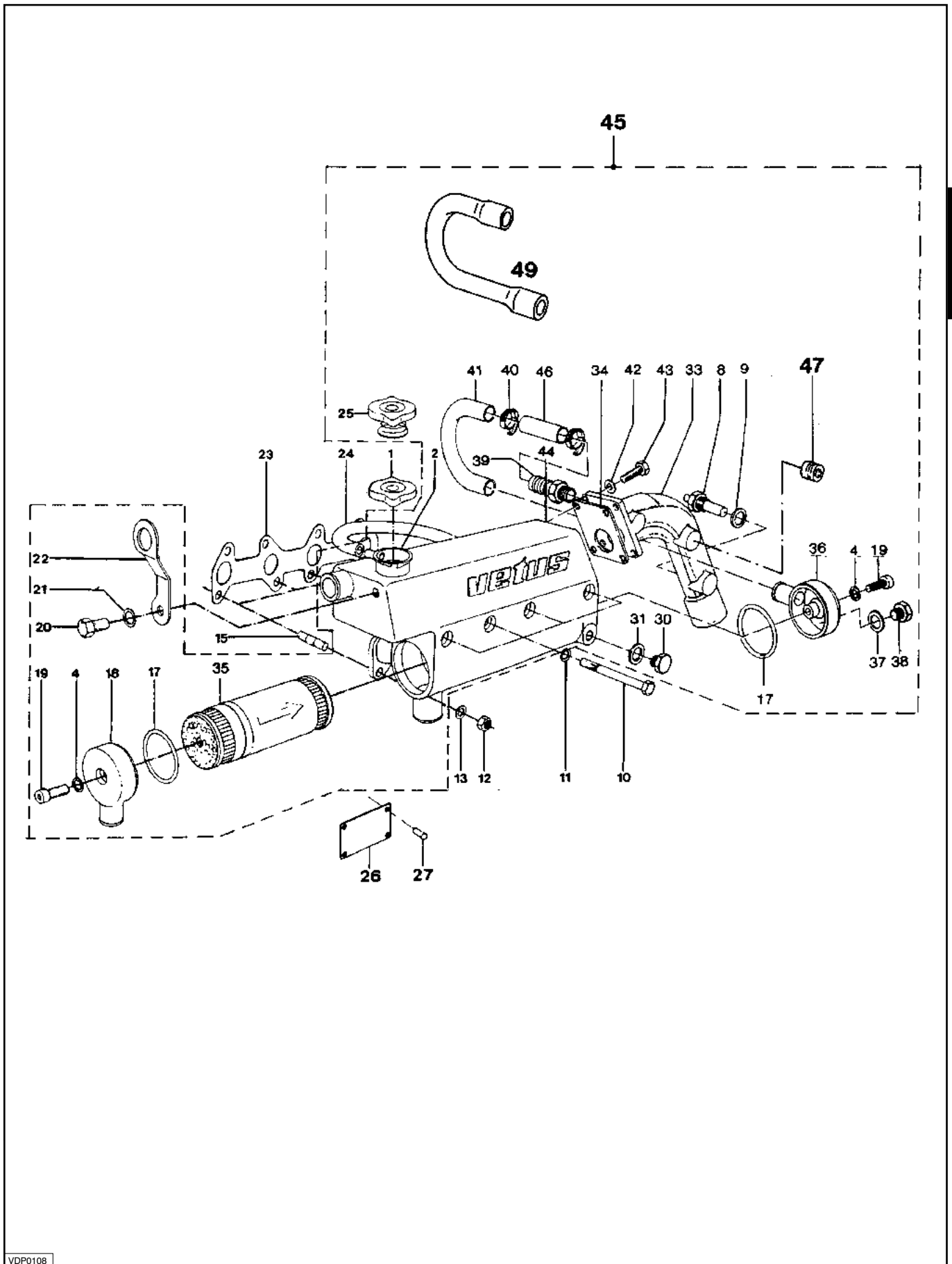
groep/ group 3	blz./ page 2a	type M4.14	omschrijving/description W. wisselaarhuis - uitlaatspruitstuk Heat exchanger - Exh. manifold	datum/date 01 02 99
----------------------	---------------------	---------------	--	------------------------

pos.	qty	part	benaming	description
1	1	STM9507	Vuldop 'do not open'	Filling cap 'do not open'
2	1	STM1515	Vulnek compleet M36	Filling neck complete M36
4	1	STM1007	Ring	Washer
8	1	STM2006	Thermocontact	Thermo switch
9	1	STM2019	Ring	Washer
10	4	STM1055	Bout	Bolt
11	4	STM1019	Veerring	Washer
12	4	STM2005	Moer	Nut
13	4	STM1056	Veerring	Washer
15	4	STM2003	Tapeind	Stud
17	2	STM1005	O-ring	O-ring
18	1	STM1053	Deksel	Cover
19	1	STM1057	Bout	Bolt
20	1	STM7010	Bout	Bolt
21	1	STM1056	Veerring	Washer
22	1	STM1058	Hijsoog	Lift eye
23	1	STM3043	Uitlaatpakking M4.14	Exhaust gasket M4.14
24	1	STM1027	Slang	Hose
25	1	STM1017	Vuldop 280 4 LBS	Filling cap 4 LBS
26	1	STM1054	Type plaatje	Type plate
27	4	STM1061	Kerfnagel	Nail
30	1	STM3035	Plug	Plug
31	1	STM3353	Ring	Ring
33	1	STM3045	Uitlaat injectiebocht	Exhaust injectionpipe
34	1	STM3046	Pakking	Gasket
35	1	STM3047	Warmtewisselaar M4	Heat exchanger M4
36	1	STM3048	Deksel	Cover
37	1	STM1062	Ring	Ring
38	1	STM1059	Plug	Plug
39	1	STM7061	Slangpilaar	Hose pillar
40	2	STM2012	Slangklem	Hose clamp
41	1	STM3892	Pijp	Pipe
42	4	STM1056	Ring	Ring
43	4	STM1610	Bout	Bolt
44	1	STM3890	Warmtewisselaarhuis M4-87	Heat exchanger housing M4-87
45	1	STM3891	Warmtewisselaarhuis cpl87	Heat exchanger housing cpl87
46	2	STM7062	Slang	Hose
47	3	STM3071	Plug G 3/8	Plug G 3/8
48	1	STM3075	Inj. bocht+pluggen 47+33	Injection pipe+plugs 47+33
49	1	STM3093	Slang	Hose

onderdelencatalogus parts catalogue



groep/ group	blz./ page	type	omschrijving/description	datum/date
3	2a	M4.14	W. wisselaarhuis - uitlaatspruitstuk Heat exchanger - Exh. manifold	25 03 98



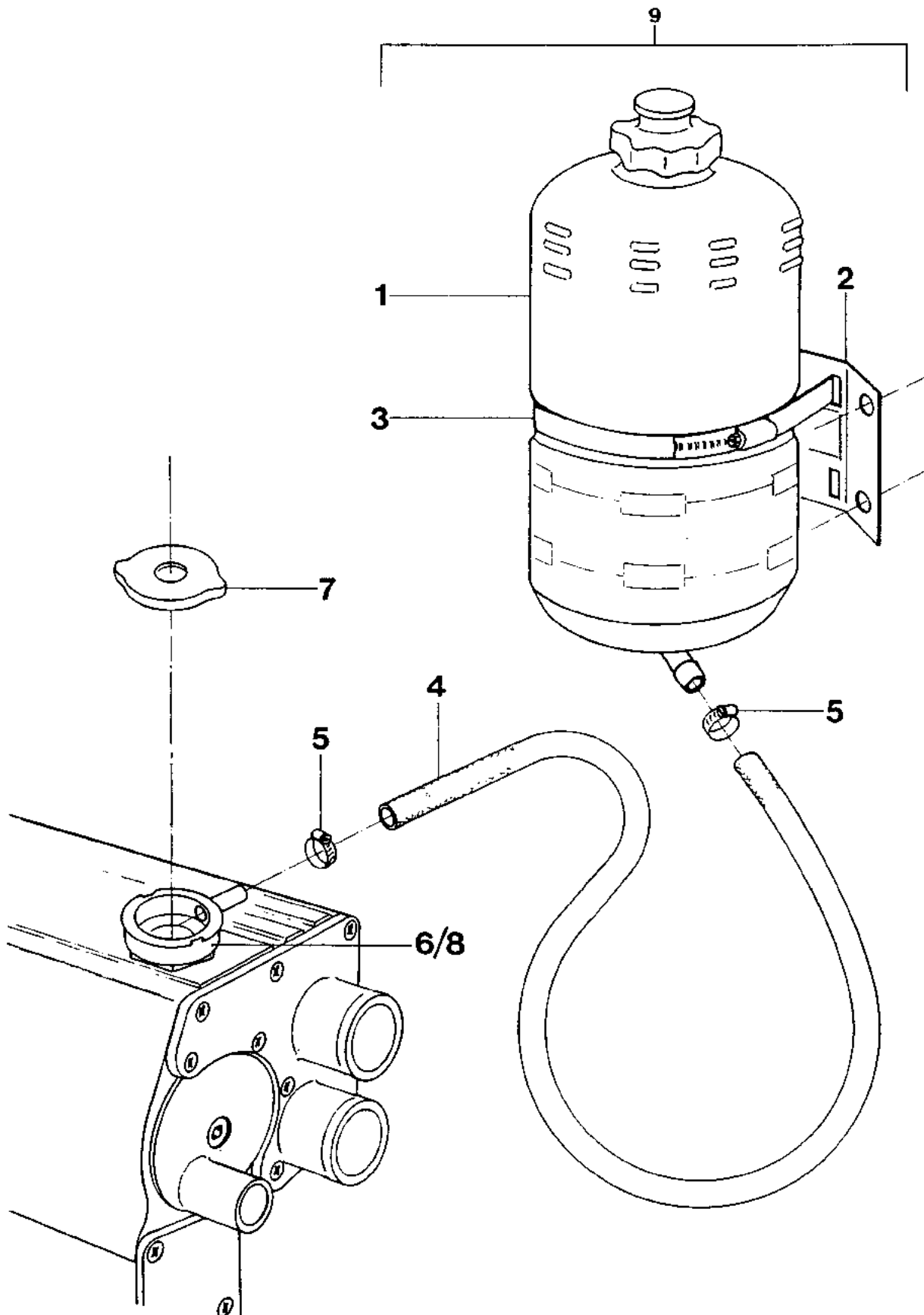
onderdelencatalogus parts catalogue



groep/ group 3	blz./ page 3	type M3.10 M4.14	omschrijving/description Expansietank Header tank	datum/date 01 10 93
----------------------	--------------------	------------------------	---	------------------------

pos.	qty	part	benaming	description
1	1	STM9501	Expansietank	Header tank
2	1	STM9502	Bevestigingsbeugel	Support
3	1	STM9503	Slangklem	Hose clamp
4	1	STM9504	Slang	Hose
5	2	STM9505	Slangklem	Hose clamp
6	1	STM9506	Vulnek	Filler neck
7	1	STM9507	Vuldop 'do not open'	Filling cap 'do not open'
8	1	STM1515	Vulnek compleet M36	Filling neck complete M36
9	1	STM9500	Expansietank compleet (1 t/m 5)	Header tank complete (1 t/m 5)

groep/ group	blz./ page	type	omschrijving/description	datum/date
3	3	M3.10 M4.14	Expansietank Header tank	01 10 93



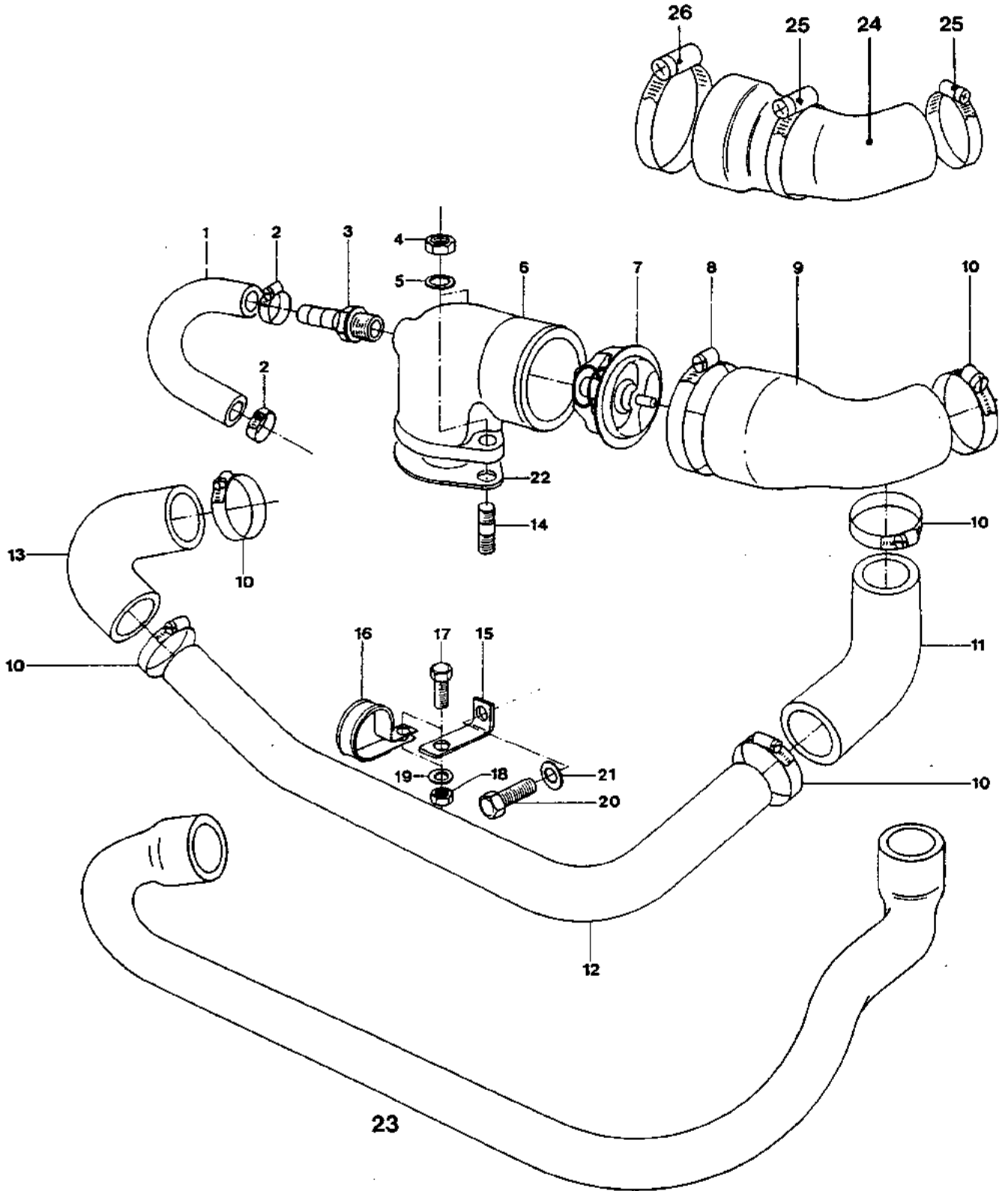
onderdelencatalogus parts catalogue



groep/ group 3	blz./ page 4	type M3.10 M4.14	omschrijving/description Pijpen en Slangen Tubes and hoses	datum/date 18 02 99
----------------------	--------------------	------------------------	--	------------------------

pos.	qty	part	benaming	description
1	1	STM3054	Slang	Hose
2	2	STM3056	Slangklem	Hose clamp
3	1	STM3057	Slangpilaar	Hose pillar
4	2	STM2005	Moer	Nut
5	2	STM1019	Veerring	Washer
6	1	STM3051	Thermostaathuis	Thermostate housing
7	1	STM3058	Thermostaat	Thermostate
8	2	STM3006	Slangklem	Hose clamp
9	1	STM3052	Slangbocht	Rubber bend
10	5	STM3005	Slangklem	Hose clamp
11	1	STM3009	Rubber bocht	Rubber bend
12	1	STM3055	Pijp	Pipe
13	1	STM3053	Slangbocht	Hose bend
14	2	STM3060	Tapeind	Stud
15	1	STM3059	Steun	Support
16	1	STM3061	Leidingklem	Clamp
17	1	STM4055	Bout	Bolt
18	1	STM2005	Moer	Nut
19	1	STM1019	Ring	Washer
20	1	STM4055	Bout	Bolt
21	1	STM1056	Veerring	Washer
22	1	STM3522	Pakking	Gasket
23	1	STM3091	Slang	Hoses
24	1	STM3094	Rubber bocht	Rubber bend
25	2	STM3005	Slangklem	Hose clamp
26	1	STM3006	Slangklem	Hose clamp

groep/ group	blz./ page	type	omschrijving/description	datum/date
3	4	M3.10 M4.14	Pijpen en Slangen Tubes and hoses	18 02 99



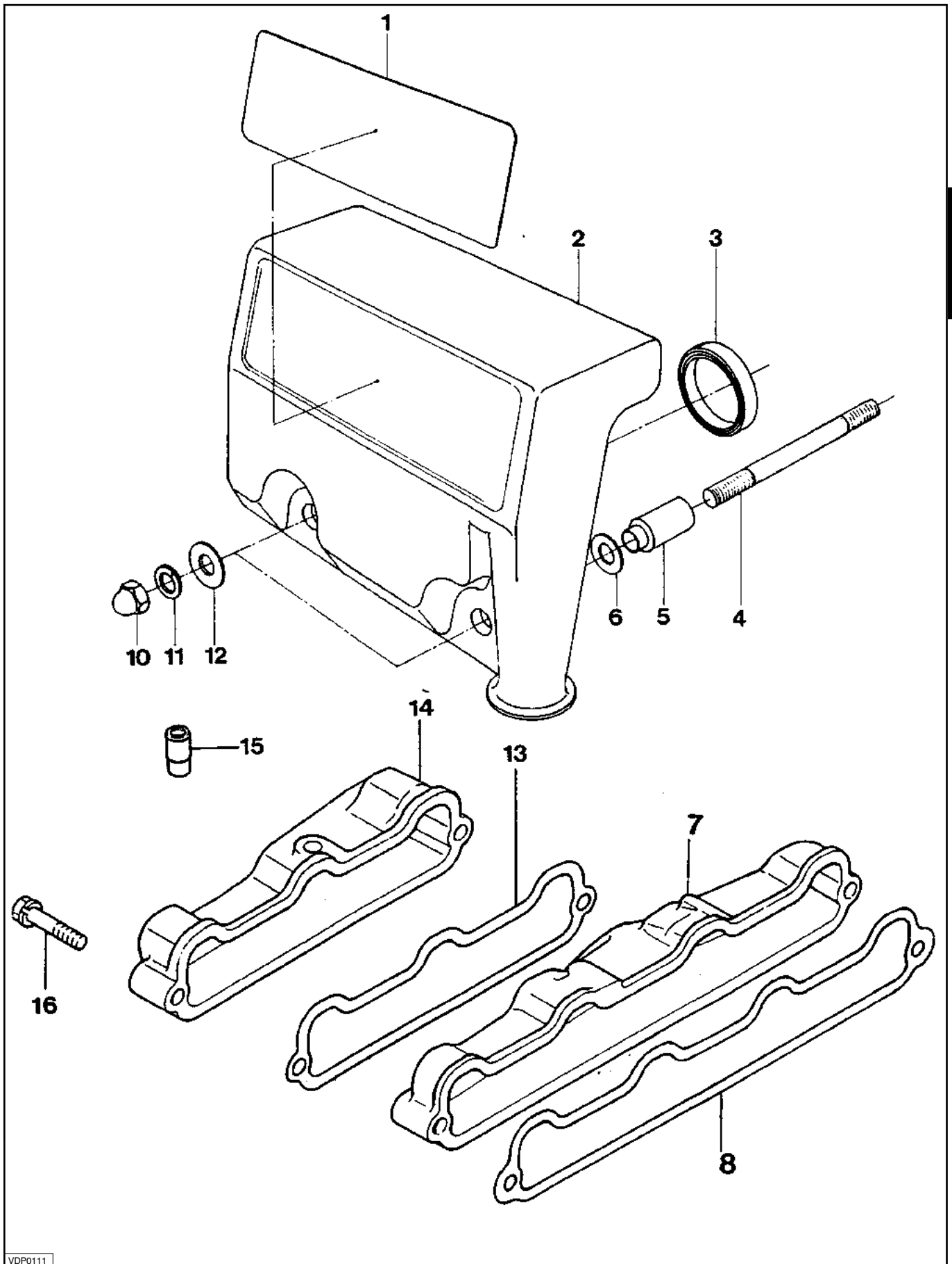
onderdelencatalogus parts catalogue



groep/ group 3	blz./ page 5	type M3.10 M4.14	omschrijving/description Luchtinlaat spruitstuk Air intake manifold	datum/date 01 10 93
----------------------	--------------------	------------------------	---	------------------------

pos.	qty	part	benaming	description
1	1	STM3254	Plakker	Sticker
2	1	STM3251	Luchtinlaat kast	Intake silencer
3	1	STM3252	Rubber manchets	Rubber sleeve
4	2	STM3256	Draadeind	Stud
5	2	STM3253	Afstandbus	Bush
6	2	STM3258	Ring	Washer
7	1	STM3419	Inlaatdeksel M414	Air intake M4
8	1	STM3420	Pakking	Gasket
10	2	STM3257	Dopmoer	Cap nut
11	2	STM1019	Ring	Washer
12	2	STM1653	Ring	Washer
13	1	STM2686	Pakking inlaat	Gasket intake
14	1	STM2684	Inlaatdeksel M3.10	Air intake M3.10
15	1	STM2685	Pijpje	Pipe
16	1	STM2261	Bout	Bolt

groep/ group	blz./ page	type	omschrijving/description	datum/date
3	5	M3.10 M4.14	Luchtinlaat spruitstuk Air intake manifold	01 10 93



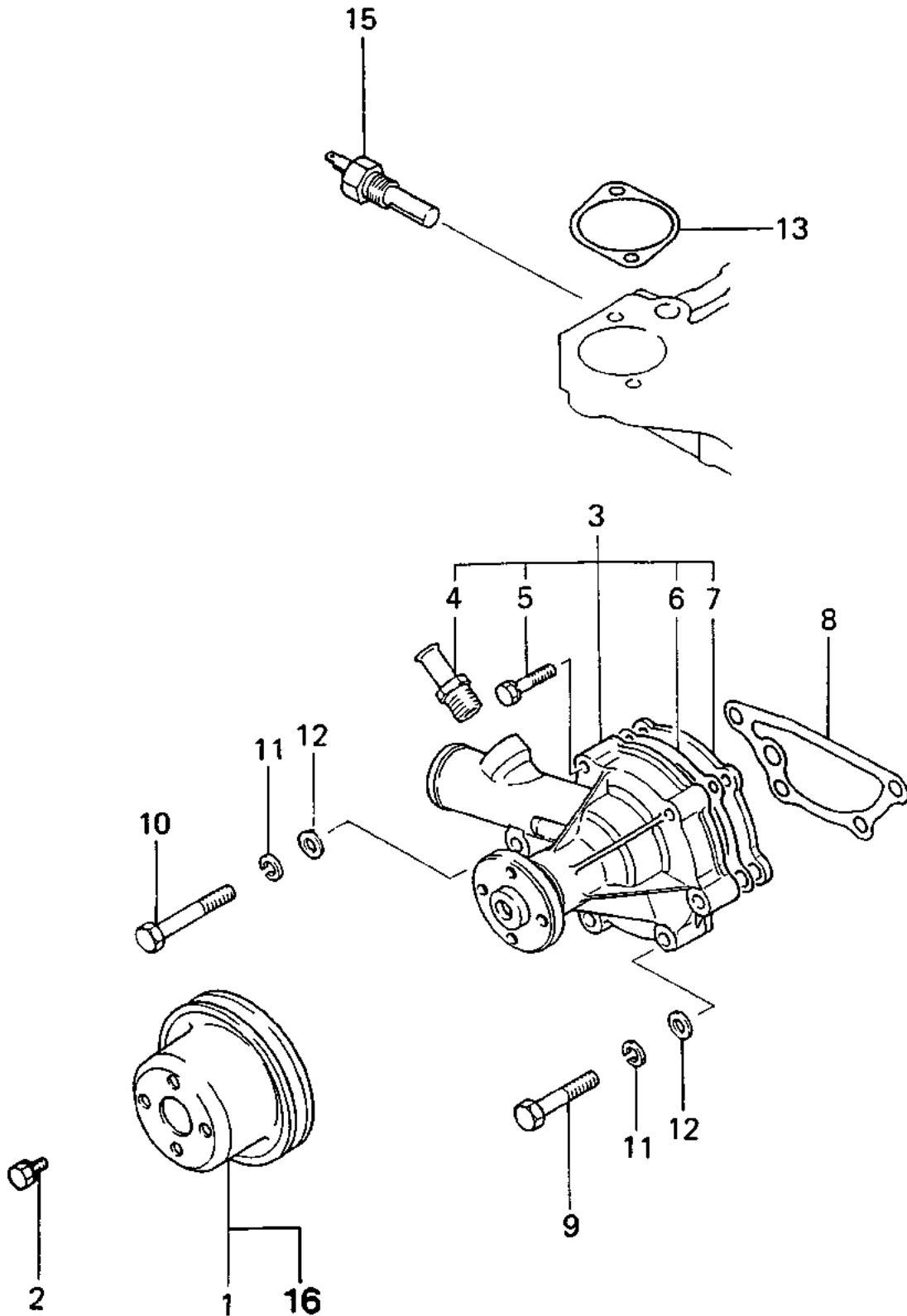
onderdelencatalogus parts catalogue



groep/ group 3	blz./ page 6	type M3.10 M4.14	omschrijving/description Circulatiepomp Fresh water pump	datum/date 01 10 93
----------------------	--------------------	------------------------	--	------------------------

pos.	qty	part	benaming	description
1	1	STM2676	Pulley waterpomp	Pulley waterpomp
2	4	STM1024	Bout	Bolt
3	1	STM2677	Waterpomp compleet	Water pump complete
4	1	STM2681	Nippel	Nipple
5	2	STM2260	Bout	Bolt
6	1	STM2682	Pakking waterpomp	Gasket water pump
7	1	STM2683	Plaat waterpomp	Plate water pump
8	1	STM2678	Pakking	Gasket
9	3	STM2258	Bout	Bolt
10	1	STM2259	Bout	Bolt
11	4	STM1056	Veerring	Washer
12	4	STM1653	Ring	Ring
13	2	STM3522	Pakking	Gasket
15	1	STM2680	Thermocontact	Thermo switch
16	1	STM3422	Pulley waterpomp M4	Pulley water pump M4

groep/ group	blz./ page	type	omschrijving/description	datum/date
3	6	M3.10 M4.14	Circulatiepomp Fresh water pump	01 10 93



onderdelencatalogus parts catalogue



groep/ group 3	blz./ page 7	type M3.10 M4.14	omschrijving/description Buitenboordwaterpomp assemblage Sea water pump assy	datum/date 25 03 98
----------------------	--------------------	------------------------	--	------------------------

pos.	qty	part	benaming	description
1	2	STM6052	Motorsteun staal	Engine support steel
2	1	STM7051	Knie	Knee
3	4	STM2012	Slangklem	Hose clamp
4	2	STM7062	Slang	Hose
5	1	STM7052	Pijp	Pipe
6	1	STM8051	Tussenflens	Adaptor flange
7	4	STM4056	Veerring	Washer
8	4	STM7053	Bout	Bolt
14	2	STM1019	Veerring	Washer
20	2	STM7058	Kikkerplaatje	Clamp plate
21	2	STM7059	Bout	Bolt
22	2	STM2005	Moer	Nut
23	1	STM7060	O-ring	O-ring
24	2	STM3355	Bout	Bolt
25	1	STM8050	Buitenboordwaterpomp	Sea water pump
26	1	STM7061	Slangpilaar	Hose pillar
27	2	STM3496	Motorsteun voor hoog	Engine support front high
28	2	STM3495	Motorsteun verhoogd	Engine support high
29	1	STM3092	Slang	Hose

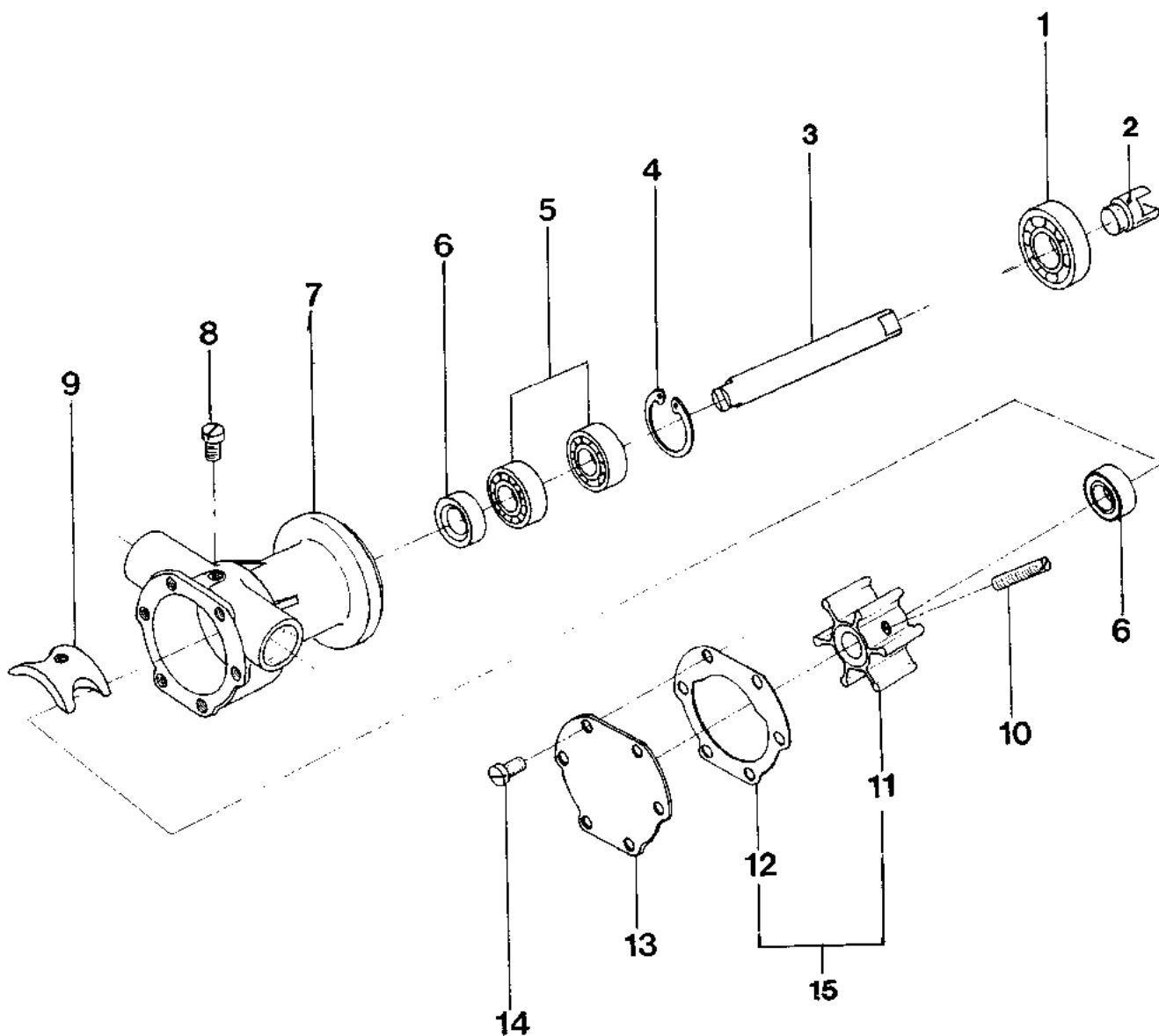
onderdelencatalogus parts catalogue



groep/ group 3	blz./ page 8	type M3.10 M4.14	omschrijving/description Buitenboordwaterpomp Sea water pump	datum/date 08 01 02
----------------------	--------------------	------------------------	--	------------------------

pos.	qty	part	benaming	description
1	1	STM8065	Kogellager	Ball bearing
2	1	STM8052	Excenter bus	Excentre cage
3	1	STM8053	As	Shaft
4	1	STM8066	Seegerring	Retaining clip
5	2	STM8067	Kogellager	Ball bearing
6	2	STM8068	Keerring	Lip seal
7	1	STM8069	Huis	Body
8	1	STM8058	Schroef	Screw
9	1	STM8059	Kam 1/1 (5,5 mm)	Cam 1/1 (5.5 mm)
10	1	STM8060	Schroef	Screw
11	1	STM8061	Waaier	Impeller
12	1	STM8062	Pakking	Gasket
13	1	STM8063	Deksel	Cover
14	6	STM8064	Schroef	Screw
15	1	STM8076	Reparatie set (11+12)	Rep.set (11+12)

groep/ group	blz./ page	type	omschrijving/description	datum/date
3	8	M3.10 M4.14	Buitenboordwaterpomp Sea water pump	01 10 93



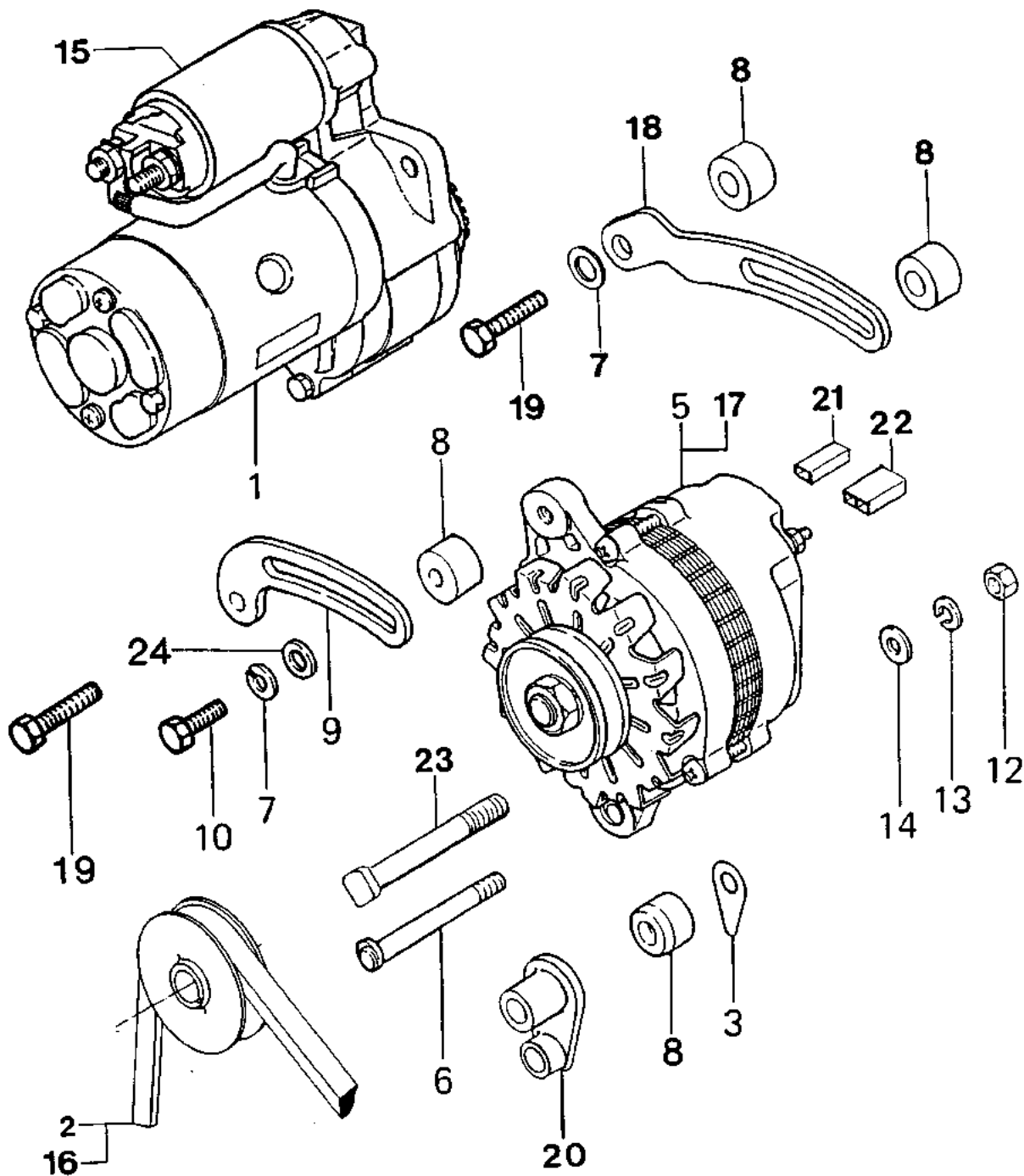
onderdelencatalogus parts catalogue



groep/ group	blz./ page	type	omschrijving/description	datum/date
4	1	M3.10 M4.14	Startmotor en dynamo Starter motor and alternator	08 01 02

pos.	qty	part	benaming	description
1	1	STM2762	Startmotor 12V	Starter 12V
2	1	STM1656	V-snaar M3.10	V-belt M3.10
3	1	STM1660	Shim	Shim
5	1	STM1655	Alternator 35 Amp. M3.10	Alternator 35 Amp. M3.10
6	1	STM1620	Bout spec. altern.	Bolt spec. altern
7	1	STM1056	Veerring	Washer
8	2	STM1654	Afstandbus	Bush
9	1	STM1652	Spansteun	Tension support
10	1	STM2261	Bout	Bolt
12	1	STM2005	Moer	Nut
13	1	STM1056	Veerring	Washer
14	1	STM1653	Ring	Washer
15	1	STM2743	Startrelais	Starter relay
16	1	STM1661	V-snaar M4.14	V-belt M4.14
17	1	STM3417	Alternator 50A-M4.14	Alternator 50A M4.14
18	1	STM3418	Spansteun	Tensioner
19	2	STM2261	Bout M8x40	Bolt M8x40
20	1	STM3416	Vulring	Spacer
21	1	STM3482	Stekker 1-polig	Connector 1 pole
22	1	STM3483	Stekker 2-polig	Connector 2 pole
23	1	STM3486	Bout alt M4	Bolt altern M4
24	1	STM3749	Sluitring M8	Washer M8

groep/ group	blz./ page	type	omschrijving/description	datum/date
4	1	M3.10 M4.14	Startmotor en dynamo Starter motor and alternator	01 10 93



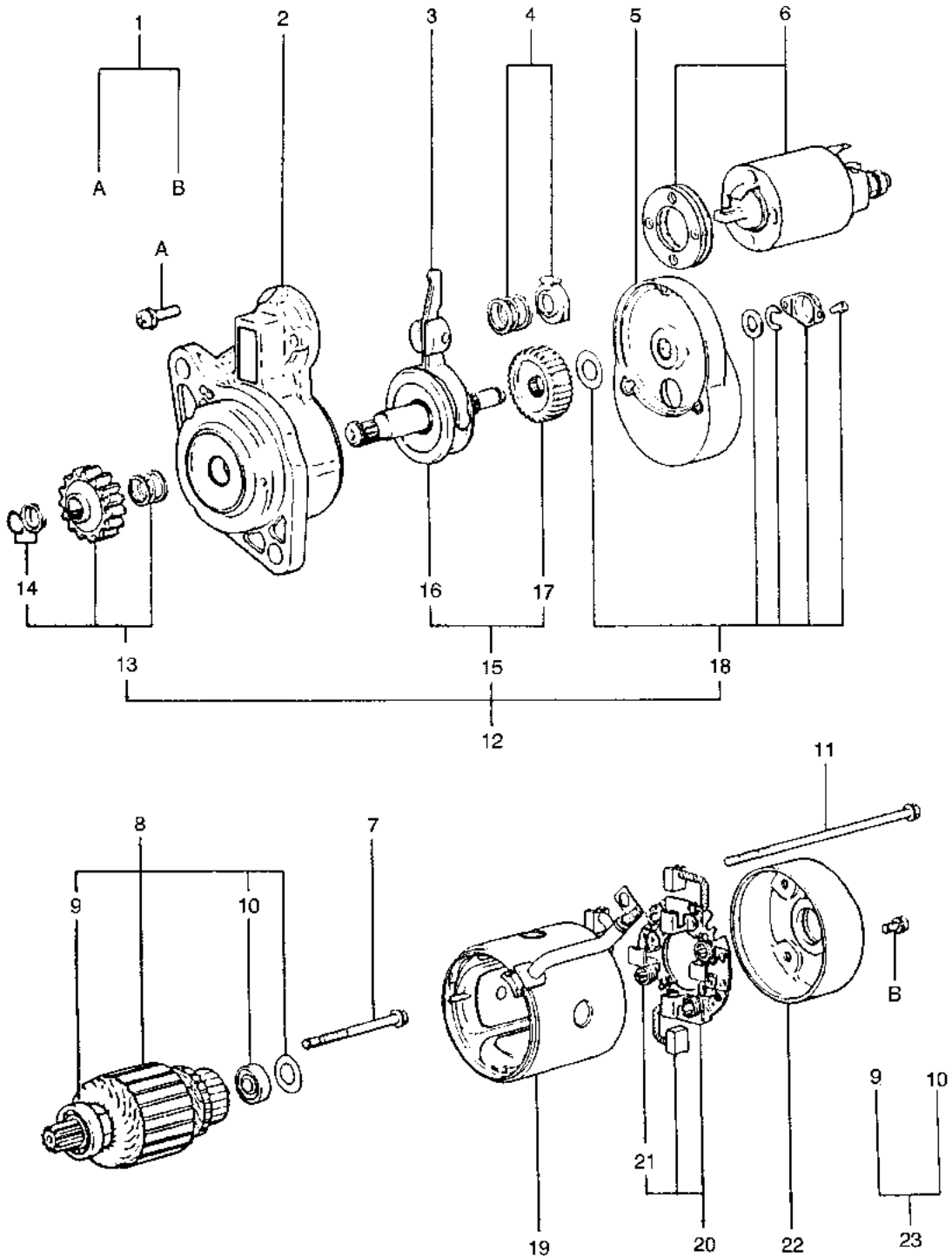
onderdelencatalogus parts catalogue



groep/ group	blz./ page	type	omschrijving/description	datum/date
4	2	M3.10 M4.14	Startmotor Startermotor	01 10 93

pos.	qty	part	benaming	description
1 - 23		STM2762	Startmotor	Starter
1	1	STM3276	Bout	Bolt
2	1	STM3277	Schild	Bracket
3	1	STM3278	Hefboom	Lever
4	1	STM3279	Veer	Spring
5	1	STM3280	Bracket	Bracket
6	1	STM3217	Relais	Relay
7	1	STM3281	Bout	Bolt
8	1	STM3213	Rotor	Armature
9	1	STM3282	Lager	Bearing
10	1	STM3283	Lager	Bearing
11	1	STM3284	Bout	Bolt
12	1	STM3210	As	Shaft
13	1	STM3212	Pinion set	Pinion set
14	1	STM3285	Stopper set	Stopper set
15	1	STM3211	Tandwielset	Gear set
16	1	STM3286	As	Shaft
17	1	STM3287	Tandwiel	Gear
18	1	STM3288	Deksel set	Cover set
19	1	STM3214	Huis	Yoke
20	1	STM3215	Borstelhouder	Brush holder
21	1	STM3216	Veer	Spring
22	1	STM3289	Drager	Bracket
23	1	STM3290	Reparatie set	Service kit

groep/ group	blz./ page	type	omschrijving/description	datum/date
4	2	M3.10 M4.14	Startmotor Startermotor	01 10 93



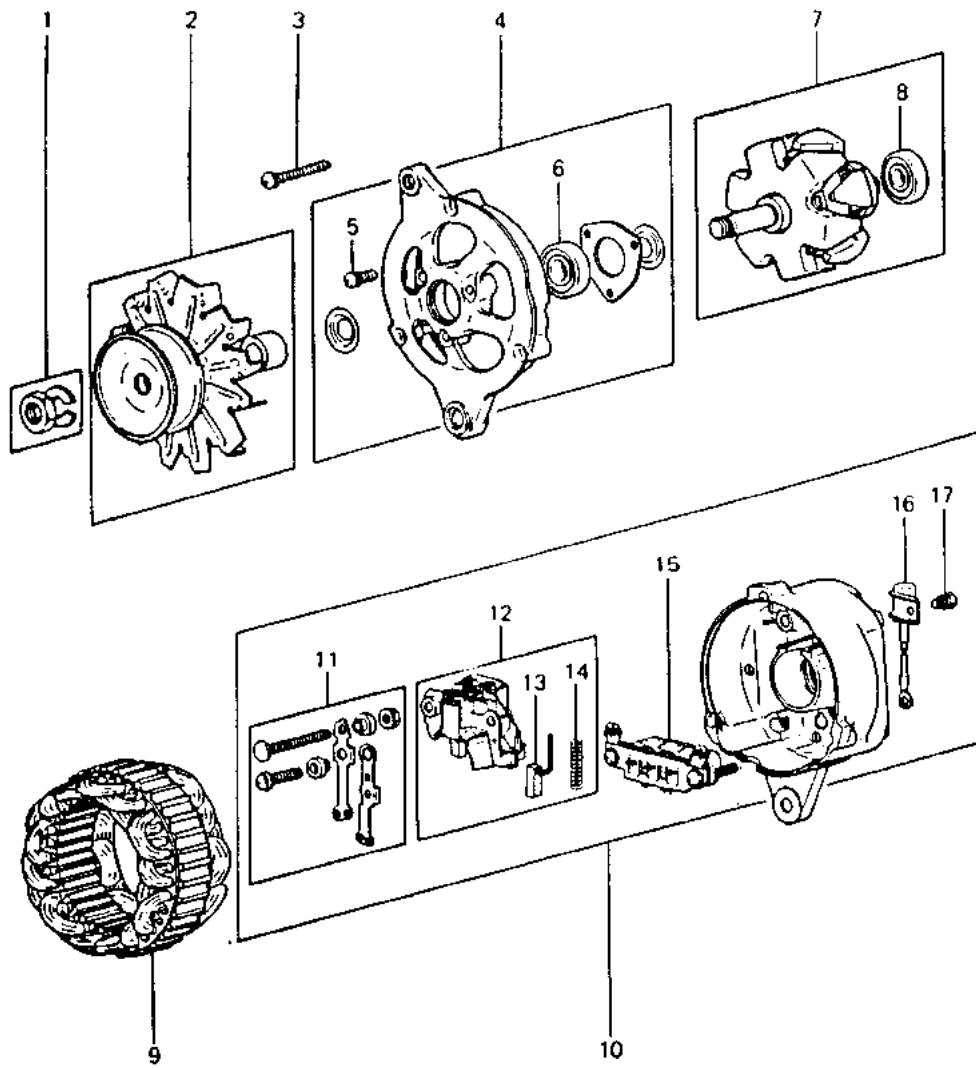
onderdelencatalogus parts catalogue



groep/ group 4	blz./ page 3	type M3.10	omschrijving/description Dynamo Dynamo	datum/date 01 10 93
----------------------	--------------------	---------------	--	------------------------

pos.	qty	part	benaming	description
1 - 17		STM1655	Dynamo	Aternator
1	1	STM3261	Nut	Moer
2	1	STM3262	Pulley	Pulley
3	1	STM3263	Bout	Bolt
4	1	STM3264	Schild	Bracket
5	1	STM3265	Bout	Bolt
6	1	STM3266	Lager	Bearing
7	1	STM3247	Rotor	Rotor
8	1	STM3267	Lager	Bearing
9	1	STM3246	Stator	Stator
10	1	STM3245	Bracket	Bracket
11	1	STM3268	Terminal	Terminal
12	1	STM3269	Regulator	Regulator
13	1	STM3270	Borstel	Brush
14	1	STM3271	Veer	Spring
15	1	STM3273	Diode set	Rectifier Assy
16	1	STM3274	Condensator	Capacitor
17	1	STM3275	Bout	Bolt

groep/ group	blz./ page	type	omschrijving/description	datum/date
4	3	M3.10	Dynamo Dynamo	01 10 93



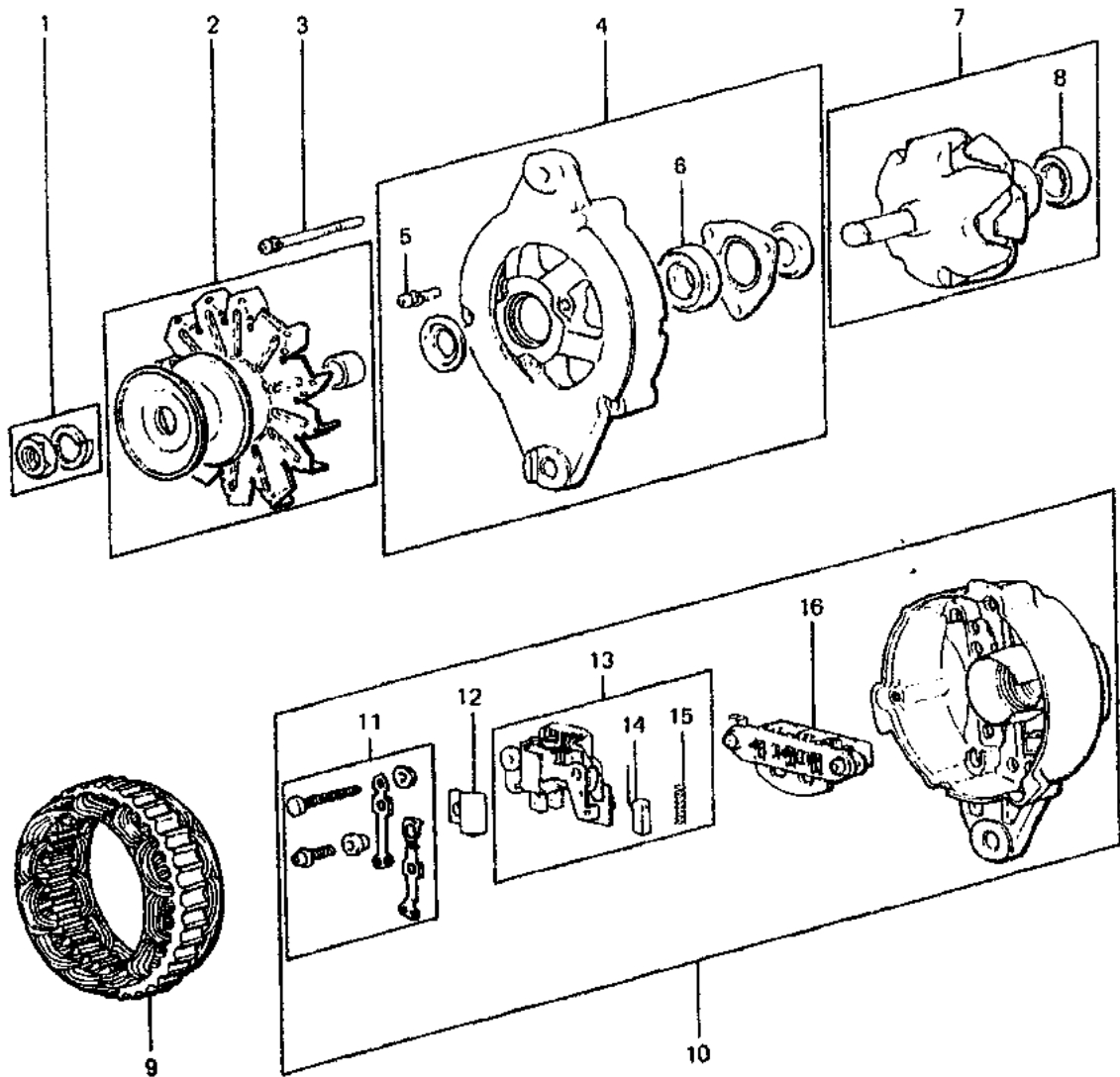
onderdelencatalogus parts catalogue



groep/ group 4	blz./ page 4	type M4.14	omschrijving/description Dynamo Alternator	datum/date 01 10 93
----------------------	--------------------	---------------	--	------------------------

pos.	qty	part	benaming	description
1	1	STM3291	Moer	Nut
2	1	STM3292	Pulley	Pulley
3	1	STM3293	Bout	Bolt
4	1	STM3294	Schild	Bracket
5	1	STM3295	Bout	Bolt
6	1	STM3296	Lager	Bearing
7	1	STM3243	Rotor	Rotor
8	1	STM3297	Lager	Bearing
9	1	STM3242	Stator	Stator
10	1	STM3241	Schild	Bracket
11	1	STM3298	Aansluitklem	Connecting clamp
12	1	STM3299	Condenser	Condenser assy
13	1	STM3300	Regulator	Regulator
14	2	STM3301	Borstel	Brush
15	2	STM3302	Veer	Spring
16	1	STM3303	Diodebrug	Diodebridge
17	1	STM3417	Dynamo 12V/50A	Alternator 12V/50A

groep/ group	blz./ page	type	omschrijving/description	datum/date
4	4	M4.14	Dynamo Alternator	01 10 93



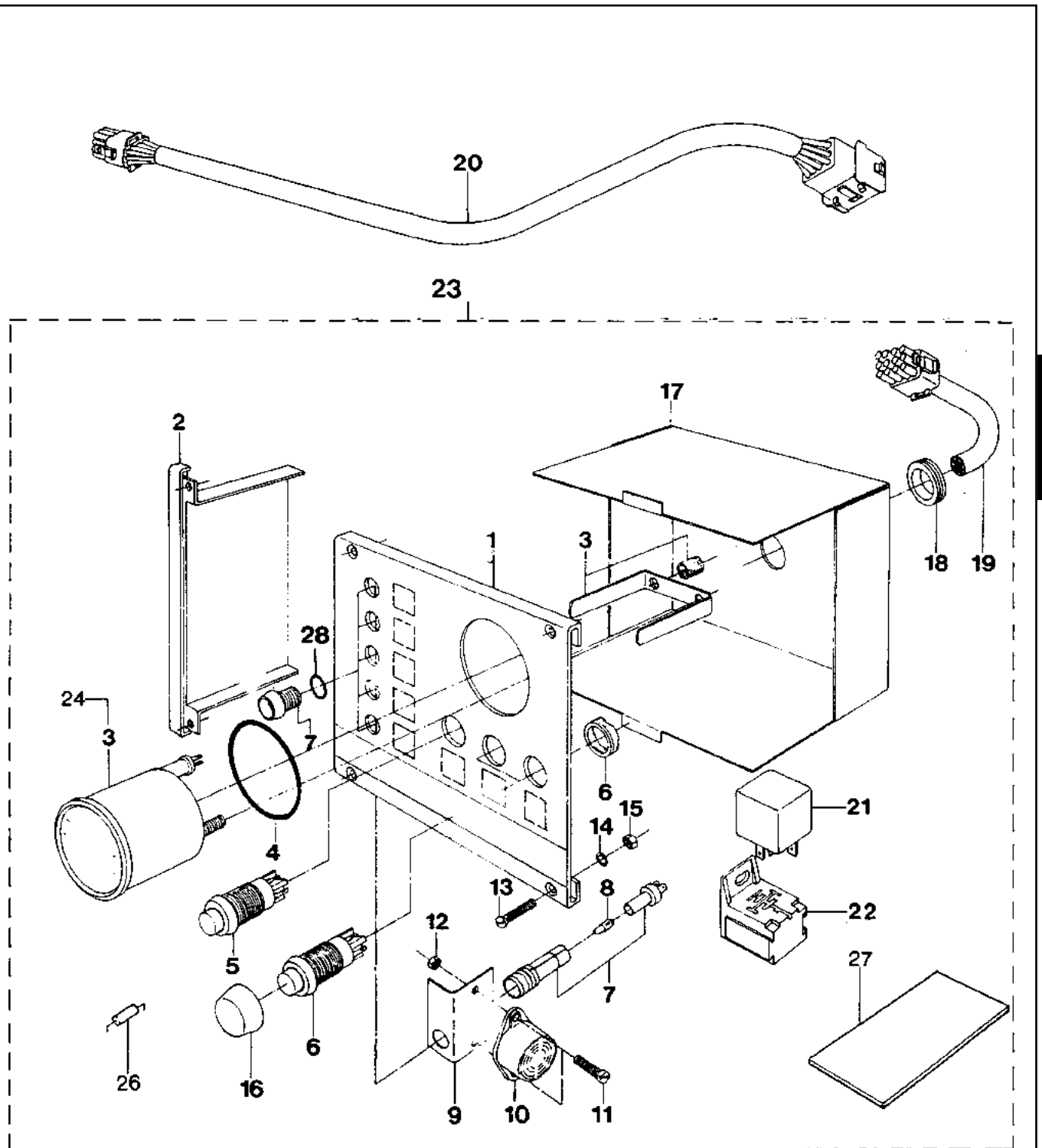
onderdelencatalogus parts catalogue



groep/ group	blz./ page	type	omschrijving/description	datum/date
4	5	M3.10 M4.14	Instrumentenpaneel Instrument panel	01 10 93

pos.	qty	part	benaming	description
1	1	STM9151	Frontplaat M3. M4.	Front
2	2	STM9109	Zijschot	Side plate
3	1	STM9160	Toerenteller	Tachometer
4	1	STM9159	O-ring	O-ring
5	1	STM9154	Drukschakelaar MM	Pulse switch MM
6	2	STM9131	Drukschakelaar MB	Pulse switch MB
7	5	STM9108	Lamphouder rood	Bulb fitting red
8	5	STM9106	Lampje 12V	Bulb 12V
9	1	STM9126	Steun	Support
10	1	STM9127	Zoemer	Buzzer
11	2	STM9124	Bout	Bolt
12	2	STM9125	Moer	Nut
13	4	STM9122	Bout	Bolt
14	4	STM9123	Ring	Washer
15	4	STM9113	Moer	Nut
16	1	STM9155	Rubber kap groen	Rubber cap green
	1	STM9156	Rubber kap rood	Rubber cap red
	1	STM9158	Rubber kap zwart	Rubber cap black
17	1	STM9152	Beschermkap	Protector plate
18	1	STM9061	Slangtule	Protector
19	1	STM9153	Paneel bedrading	Panel wiring
20	1	STM9056	Verlengkabel 2 m bruin	Extension loom 2 m brown
21	1	STM9053	Relais	Relay
22	1	STM9052	Insteekvoet	Relay foot
23	1	STM9150	Instrumentenpaneel M3/M4	Instrument panel M3/M4
26	6	STM3368	Diode 1 Amp.	Diode 1 Amp.
27	1	STM3754	Printplaat	Printed circuit board
28	5	STM9161	O-ring	O-ring

groep/ group	blz./ page	type	omschrijving/description	datum/date
4	5	M3.10 M4.14	Instrumentenpaneel Instrument panel	01 10 93



4

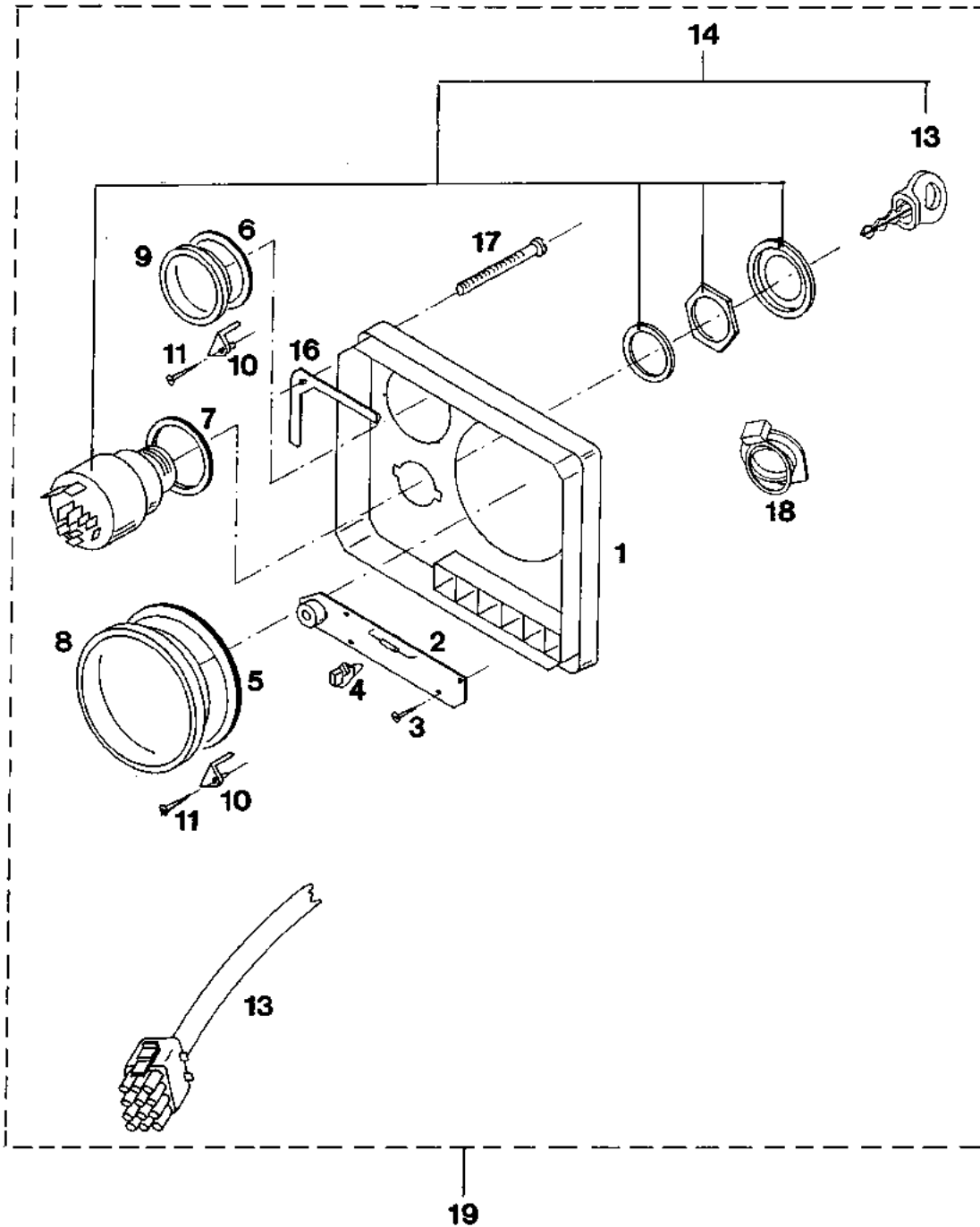
onderdelencatalogus parts catalogue



groep/ group 4	blz./ page 6	type M3.10	omschrijving/description Instrumentenpaneel Instrument panel	datum/date 01 02 99
----------------------	--------------------	---------------	--	------------------------

pos.	qty	part	benaming	description
1	1	STM9186	Paneel incl.frontfolie	Panel incl.overlay
2	1	STM9167	Print cpl.	Print cpl.
3	4	P2295RKP	Plaatschroef	Screw
4	6	STM9169	Gloeilamp	Bulb
5	1	STM9170	Pakking	Gasket
6	1	STM9171	Pakking	Gasket
7	1	STM9172	Pakking	Gasket
8	1	STM9173	Blindplaat ø 98	Plate ø 98
9	1	STM9174	Blindplaat ø 48	Plate ø 48
10	6	PA6488	Beugel	Bracket
11	6	P35164RKP	Plaatschroef	Screw
12	1	STM9175	Contactslot	Ignition switch
13	1	STM8901	Contactsleutel A01	Ignition key A01
	1	STM8902	Contactsleutel A02	Ignition key A02
	1	STM8903	Contactsleutel A03	Ignition key A03
	1	STM8904	Contactsleutel A04	Ignition key A04
	1	STM8905	Contactsleutel A05	Ignition key A05
	1	STM8906	Contactsleutel A06	Ignition key A06
	1	STM8907	Contactsleutel A07	Ignition key A07
	1	STM8908	Contactsleutel A08	Ignition key A08
	1	STM8909	Contactsleutel A09	Ignition key A09
	1	STM8910	Contactsleutel A10	Ignition key A10
	1	STM8911	Contactsleutel A11	Ignition key A11
	1	STM8912	Contactsleutel A12	Ignition key A12
	1	STM8913	Contactsleutel A13	Ignition key A13
	1	STM8914	Contactsleutel A14	Ignition key A14
	1	STM8915	Contactsleutel A15	Ignition key A15
	1	STM8916	Contactsleutel A16	Ignition key A16
	1	STM8917	Contactsleutel A17	Ignition key A17
	1	STM8918	Contactsleutel A18	Ignition key A18
	1	STM8919	Contactsleutel A19	Ignition key A19
	1	STM8920	Contactsleutel A20	Ignition key A20
12	1	STM9213	Contactslot '91 ->	Ignition switch '91 ->
13	1	STM9214	Sleutel '91 ->	Key '91 ->
14	1	STM9215	Slot + sleutel '91 ->	Lock + key '91 ->
15	1	STM9164	Bedrading	Wiring
16	1	STM9180	Pakking	Gasket
17	4	P35254ZKP	Plaatschroef	Screw
18	1	STM9188	Contactslot deksel	Ignition switch cap
19	1	STM9187	Instrumenten paneel cpl.	Instrument panel cpl.

groep/ group	blz./ page	type	omschrijving/description	datum/date
4	6	M3.10	Instrumentenpaneel Instrument panel	01 10 93



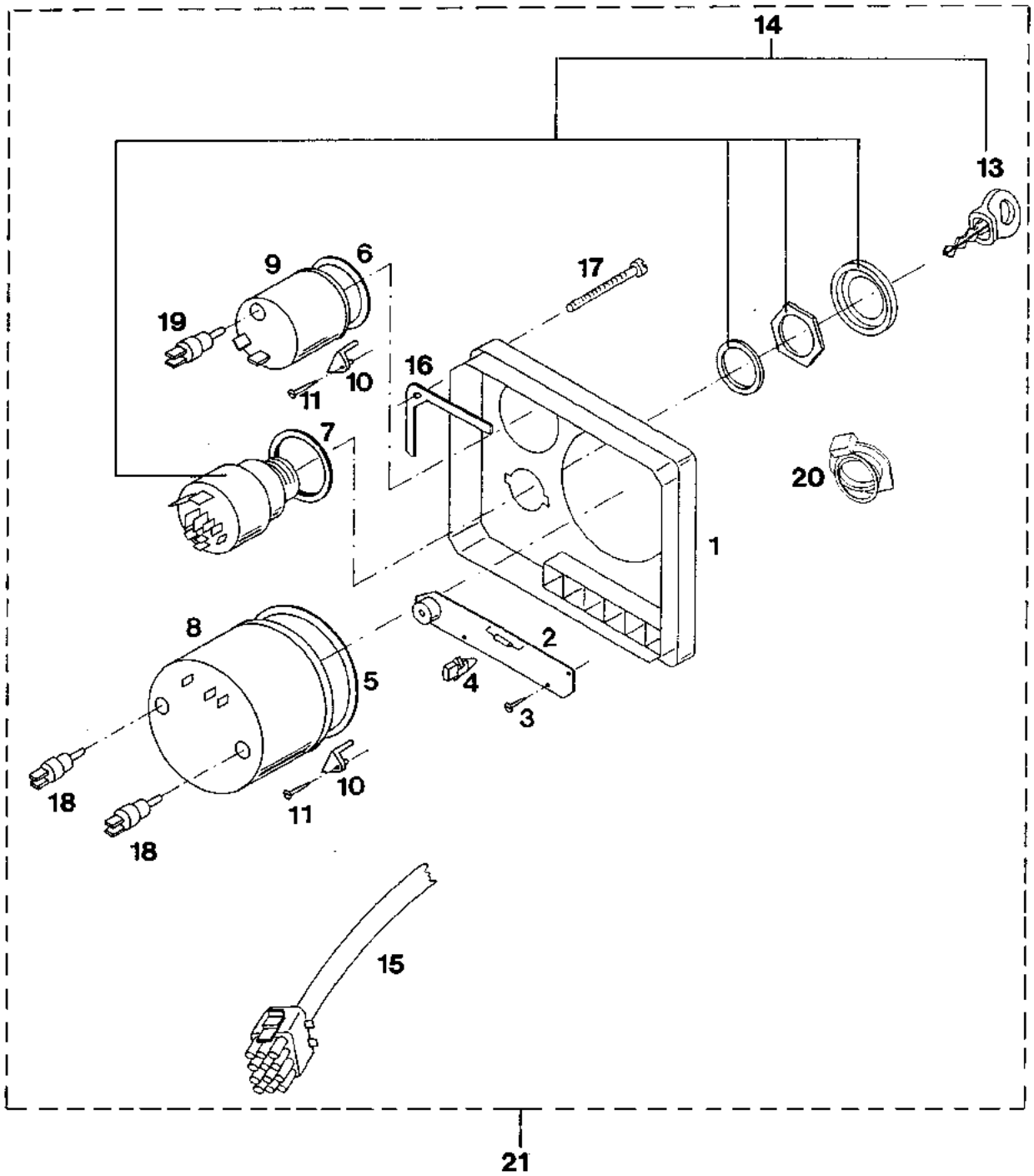
onderdelencatalogus parts catalogue



groep/ group 4	blz./ page 7	type M4.14	omschrijving/description Instrumentenpaneel Instrument panel	datum/date 01 02 99
----------------------	--------------------	---------------	--	------------------------

pos.	qty	part	benaming	description
1	1	STM9186	Paneel incl. frontfolie	Panel incl. overlay
2	1	STM9167	Print cpl.	Print cpl.
3	4	P2295RKP	Plaatschroef	Screw
4	6	STM9169	Gloeilamp	Bulb
5	1	STM9170	Pakking	Gasket
6	1	STM9171	Pakking	Gasket
7	1	STM9172	Pakking	Gasket
8	1	STM9199	Toeren/urenteller	Tachometer
9	1	STM9177	Voltmeter	Voltmeter
10	6	PA6488	Beugel	Bracket
11	6	P35164RKP	Plaatschroef	Screw
12	1	STM9175	Contactslot	Ignition switch
13	1	STM8901	Contactsleutel A01	Ignition key A01
	1	STM8902	Contactsleutel A02	Ignition key A02
	1	STM8903	Contactsleutel A03	Ignition key A03
	1	STM8904	Contactsleutel A04	Ignition key A04
	1	STM8905	Contactsleutel A05	Ignition key A05
	1	STM8906	Contactsleutel A06	Ignition key A06
	1	STM8907	Contactsleutel A07	Ignition key A07
	1	STM8908	Contactsleutel A08	Ignition key A08
	1	STM8909	Contactsleutel A09	Ignition key A09
	1	STM8910	Contactsleutel A10	Ignition key A10
	1	STM8911	Contactsleutel A11	Ignition key A11
	1	STM8912	Contactsleutel A12	Ignition key A12
	1	STM8913	Contactsleutel A13	Ignition key A13
	1	STM8914	Contactsleutel A14	Ignition key A14
	1	STM8915	Contactsleutel A15	Ignition key A15
	1	STM8916	Contactsleutel A16	Ignition key A16
	1	STM8917	Contactsleutel A17	Ignition key A17
	1	STM8918	Contactsleutel A18	Ignition key A18
	1	STM8919	Contactsleutel A19	Ignition key A19
	1	STM8920	Contactsleutel A20	Ignition key A20
12	1	STM9213	Contactslot '91 ->	Ignition switch '91 ->
13	1	STM9214	Sleutel '91 ->	Key '91 ->
14	1	STM9215	Slot+Sleutel '91 ->	Lock+Key '91 ->
15	1	STM9164	Bedrading	Wiring
16	1	STM9180	Pakking	Gasket
17	4	P35254ZKP	Plaatschroef	Screw
18	2	CT40131	Gloeilamp 12V	Bulb 12V
19	1	CT40133	Gloeilamp 12V	Bulb 12V
20	1	STM9188	Contactslotdeksel	Ignition switch cap
21	1	STM9191	Instr.paneel cpl	Instrument panel

groep/ group	blz./ page	type	omschrijving/description	datum/date
4	7	M4.14	Instrumentenpaneel Instrument panel	01 10 93



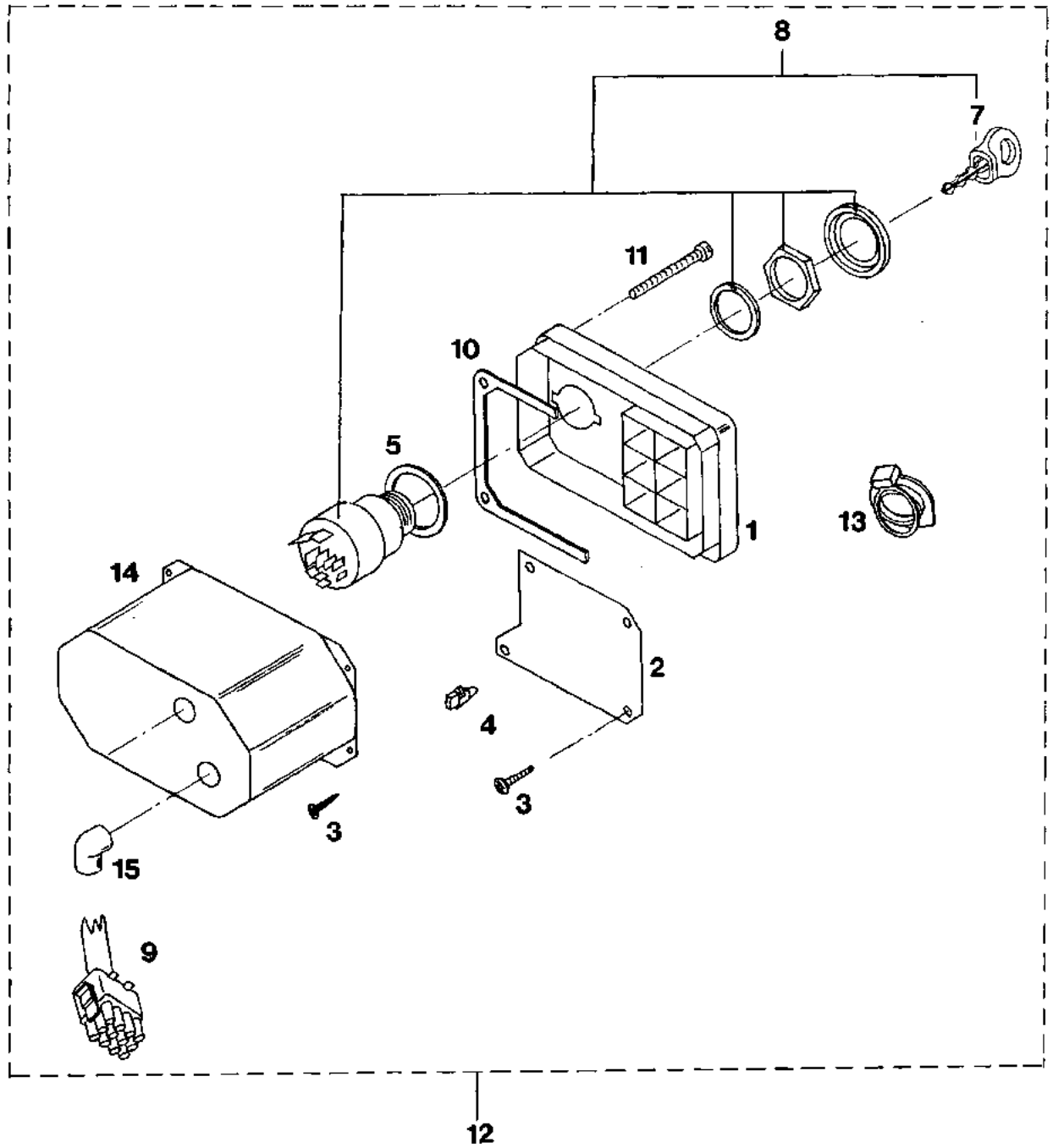
onderdelencatalogus parts catalogue



groep/ group	blz./ page	type	omschrijving/description	datum/date
4	8	M3.10 M4.14	Instr. paneel 'ZEILBOOT' Instr. panel 'SAILBOAT'	01 10 93

pos.	qty	part	benaming	description
1	1	STM9065	Paneel incl.frontfolie	Panel incl. overlay
2	1	STM9066	Print cpl.	Print cpl.
3	8	P2295RKP	Plaatschroef	Screw
4	6	STM9169	Gloeilamp	Bulb
5	1	STM9172	Pakking	Gasket
7	1	STM9214	Contactsleutel '91	Ignition key '91
8	1	STM9215	Slot + Sleutel '91	Lock + Key '91
9	1	STM9067	Bedrading 2 mtr	Wiring 2 mtr
10	1	STM9068	Pakking	Gasket
11	4	P35254ZKP	Plaatschroef	Screw
12	1	STM9064	Instr. paneel cpl	Instr. panel
13	1	STM9188	Contactslotdeksel	Ignition switch cap
14	1	STM9069	Beschermkap	Cover
15	2	STM9070	Trekontlasting	Pull relief

groep/ group	blz./ page	type	omschrijving/description	datum/date
4	8	M3.10 M4.14	Instr. paneel 'ZEILBOOT' Instr. panel 'SAILBOAT'	01 10 93



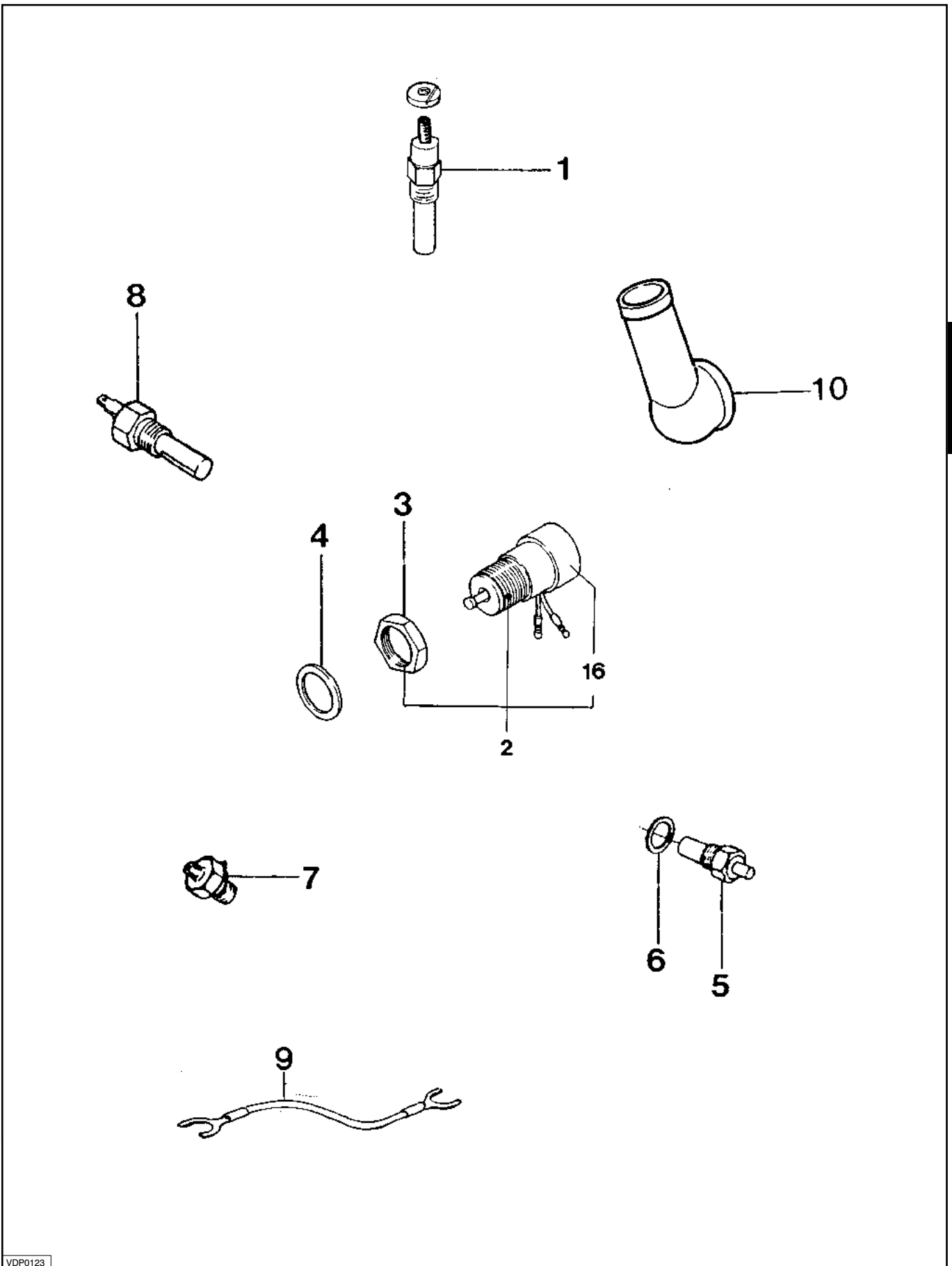
onderdelencatalogus parts catalogue



groep/ group 4	blz./ page 9	type M3.10 M4.14	omschrijving/description Zenders Sender units	datum/date 01 10 93
----------------------	--------------------	------------------------	---	------------------------

pos.	qty	part	benaming	description
1	3	STM1658	Gloeispiraal M3/M4	Spiral filament M3/M4
2	1	STM2740	Stopmagneet	Solenoid
3	1	STM2742	Moer	Nut
4	1	STM2741	Pakking	Gasket
5	1	STM2006	Thermocontact M18x1,5 M3/M4	Thermo switch M18x1,5 M3/M4
6	1	STM2019	Ring	Washer
7	1	STM2675	Oliedrukschakelaar M3,M4 G1/8	Oilpressure switch M3/M4 G1/8
8	1	STM2680	Thermocontact M3/M4 G 3/8	Thermo switch M3/M4 G3/8
9	2	STM1659	Draad gloeispiraal M3/M4	Wire spiral filament M3/M4
10	1	STM2387	Rubber kap	Rubber cap
16	1	STM3650	Rubberkap	Rubber cap

groep/ group	blz./ page	type	omschrijving/description	datum/date
4	9	M3.10 M4.14	Zenders Sender units	01 10 93



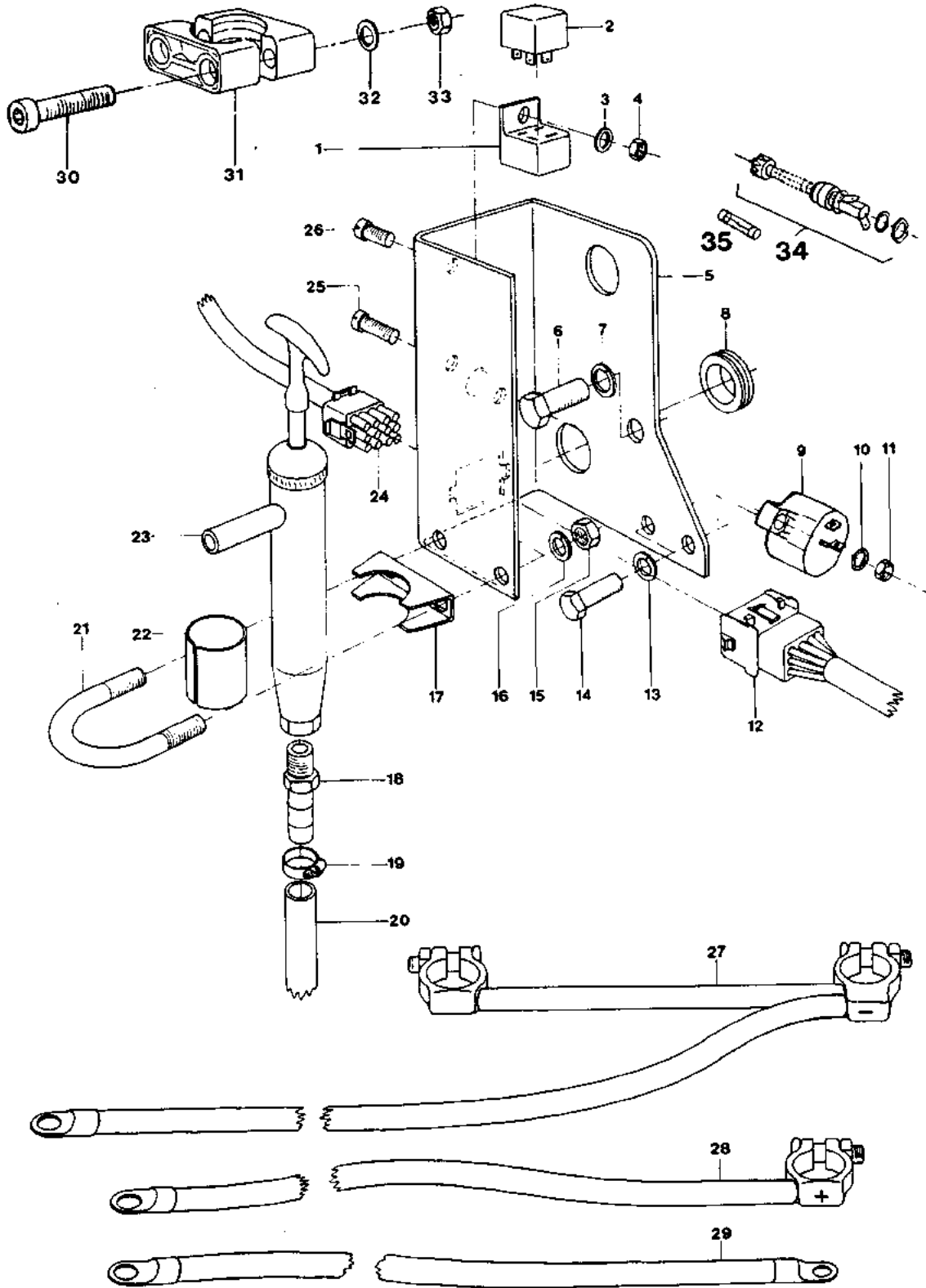
onderdelencatalogus parts catalogue



groep/ group	blz./ page	type	omschrijving/description	datum/date
4	10	M3.10 M4.14	Bedradingssteun Wiring support	01 10 93

pos.	qty	part	benaming	description
1	1	STM9052	Insteekvoet	Relay foot
2	1	STM9050	Relais	Relay
3	1	STM1707	Veerring	Washer
4	1	STM1705	Moer	Nut
5	1	STM9051	Bedradingssteun	Wiring support
6	1	STM9060	Bout	Bolt
7	1	STM4014	Veerring	Washer
8	1	STM9061	Slangtule	Protector
9	1	STM9054	Zekering	Fuse
10	2	STM1707	Veerring	Washer
11	2	STM1705	Moer	Nut
12	1	STM9055	Motorbedrading	Engine wiring
13	2	STM1056	Veerring	Washer
14	2	STM4055	Bout	Bolt
15	2	STM2005	Moer	Nut
16	2	STM1019	Veerring	Washer
17	1	STM9206	Klem	Clamp
18	1	STM9202	Slangpilaar	Hose pillar
19	2	STM3056	Slangklem	Hose clamp
20	1	STM9510	Slang 0,275 x 3377	Hose
21	1	STM9206	Klem	Clamp
22	1	STM9207	Ring	Bush
23	1	STM9201	Carterpomp	Sump pump
24	1	STM9056	Verlengkabel 2 m bruin	Extension lead 2 m brown
25	2	STM9062	Bout	Bolt
26	1	STM9063	Bout	Bolt
27	1	STM9057	- Kabel zwart	- Cable black
28	2	STM9058	+ Kabel rood	+ Cable red
29	1	STM9059	Kabel rood	Cable red
30	2	STM9208	Inbusbout M6x45	Allen screw M6x45
31	1	STM9209	Koppeling	Coupling
32	2	STM1025	Ring	Washer
33	2	STM3260	Moer	Nut
34	1	STM9184	Zekeringhouder	Fuse holder
35	1	STM9185	Zekering 10 A.T.	Fuse

groep/ group	blz./ page	type	omschrijving/description	datum/date
4	10	M3.10 M4.14	Bedradingssteun Wiring support	01 10 93



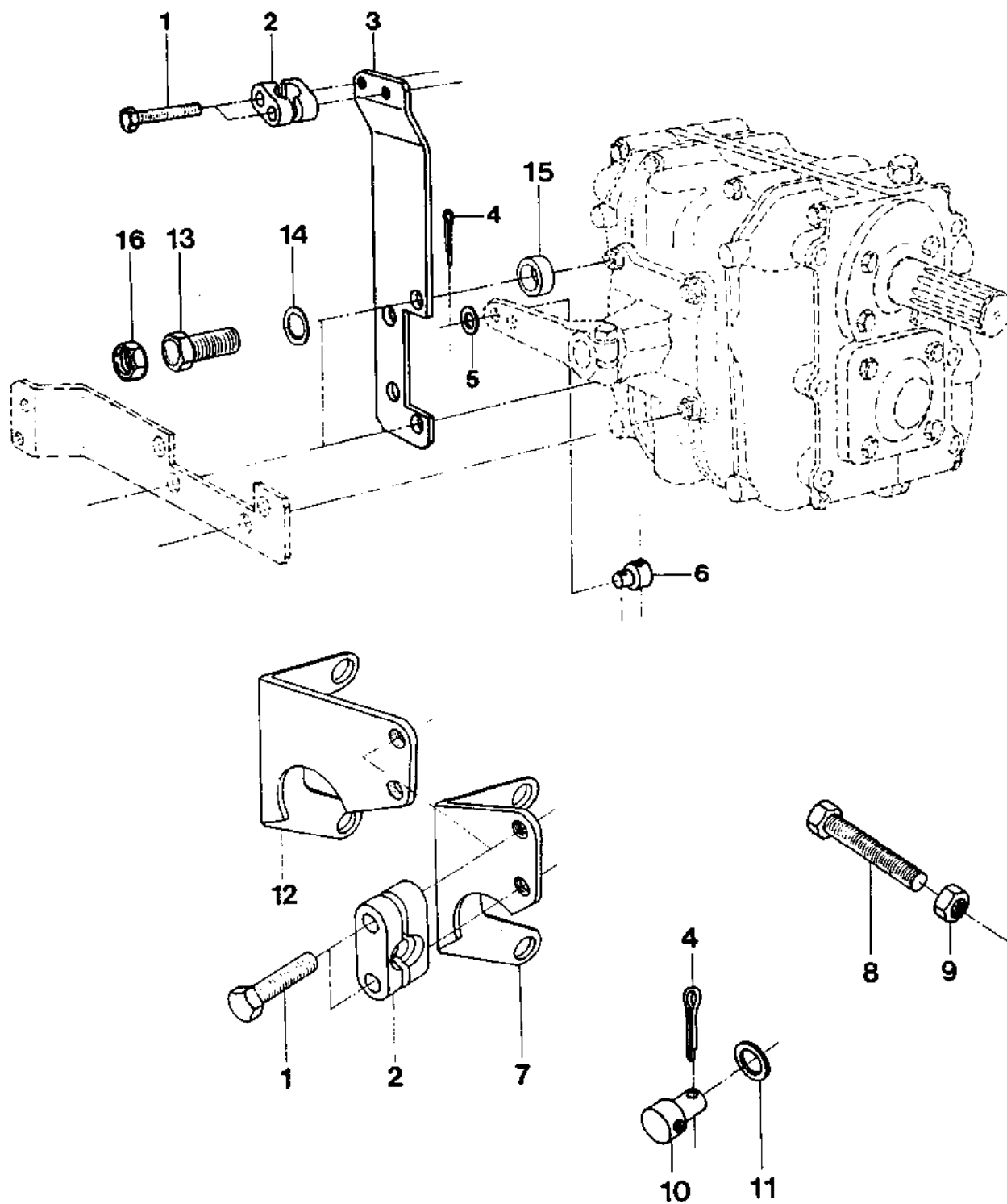
onderdelencatalogus parts catalogue



groep/ group 4	blz./ page 11	type M3.10 M4.14	omschrijving/description Bediening Controls	datum/date 01 02 99
----------------------	---------------------	------------------------	---	------------------------

pos.	qty	part	benaming	description
1	2	STM1704	Bout	Bolt
2	1	STM1703	Ka-belklem	Cable clamp
3	1	STM1851	Steun HBW	Support HBW
	1	STM6425	Steun HSW	Support HSW
	1	STM6338	Steun TMC40	Support TMC40
	1	STM6239	Steun TMC60	Support TMC60
4	1	STM1808	Splitpen	Split pin
5	1	STM1807	Ring	Washer
6	1	STM1806	Nippel ø 6,3	Nipple ø 6,3
7	1	STM1751	Gaskabelsteun	Regulator cable support
8	1	STM3259	Bout	Bolt
9	1	STM3260	Moer	Nut
10	1	STM3255	Nippel ø 8,3	Nipple ø 8,3
11	1	STM1653	Ring	Washer
12	1	STM2805	Steun gaskabel M4.14	Support throttle M4.14
13	2	STM1610	Bout	Bolt
14	2	STM1019	Veerring	Washer
15	2	STM1852	Afstandbusje	Distance washer
16	2	STM2005	Moer	Nut

groep/ group	blz./ page	type	omschrijving/description	datum/date
4	11	M3.10 M4.14	Bediening Controls	01 10 93



4

onderdelencatalogus parts catalogue



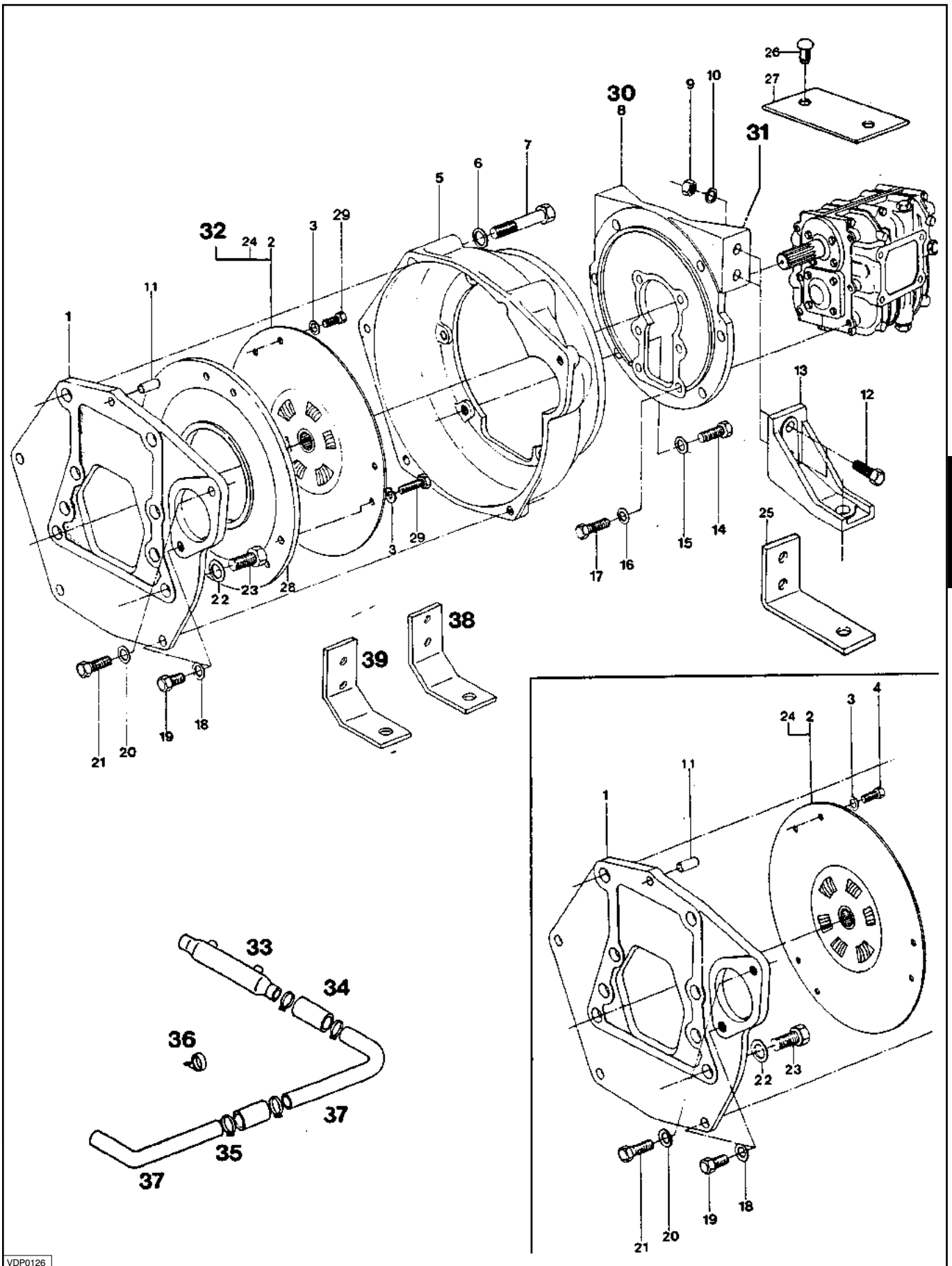
groep/ group	blz./ page	type	omschrijving/description	datum/date
5	1	M3.10/M3.10KC M4.14/M4.14KC	Vlieg wielhuis Flywheelhousing	08 01 02

pos.	qty	part	benaming	description
1	1	STM4052	Achterplaat	Back plate
2	1	STM4054	Demperplaat HBW-TMC	Damperplate HBW-TMC
	1	STM4031	Demperplaat HSW-PRM150 High deflection	Damperplate HSW-PRM150 High deflection
	1	STM4054	Demperplaat Volvo Saildrive type 110S-120S-120SB	Damperplate Volvo Saildrive model 110S-120S-120SB
3	6	STM1056	Veerring	Washer
4	6	STM4055	Bout	Bolt
5	1	STM4051	Vlieg wielhuis HBW	Flywheelhousing HBW
6	2	STM4056	Veerring	Washer
7	2	STM4057	Bout	Bolt
8	1	STM4053	Adaptorplaat	Adaptorplate
9	4	STM4058	Moer	Nut
10	4	STM4056	Veerring	Washer
11	1	STM2507	Pen	Pin
12	4	STM4060	Bout	Bolt
13	2	STM6051	Motorsteun alu.	Engine support alu.
14	6	STM4013	Bout M10	Bolt M10
15	6	STM4061	Veerring	Washer
16	6	STM1019	Veerring	Washer
17	6	STM3355	Bout	Bolt
18	4	STM4061	Veerring	Washer
19	4	STM4013	Bout	Bolt
20	1	STM4061	Veerring	Washer
21	1	STM4062	Bout	Bolt
22	6	STM4056	Veerring	Washer
23	6	STM7053	Bout	Bolt
24	1	STM4063	Demperplaat M SAE	Damperplate SAE
25	2	STM3495	Motorsteun M verhoogd	Engine support M high
26	2	STM3528	Kerfnagel 3x4 DIN 147	Nail 3x4 DIN 147
27	1	STM1054	Type plaatje	Type plate
28	1	STM2770	Vlieg wielverzwaring	Extra flywheel weight0
29	6	STM2261	Bout M8x40	Bolt M8x40
30	1	STM4040	Adaptorplaat PRM	Adaptorplate PRM
31	1	STM4041	Tussenflens MT3090 s/a	Back plate MT3090 s/a
32	1	STM4042	Demperplaat PRM	Damperplate PRM
33	1	STM3771	Oliekoeler M4.14 PRM kielc.	Oilcooler M4.14 PRM keelc.
34	2	STM3770	Slang	Hose
35	2	STM3005	Slangklem	Hose clamp
36	1	STM3061	Steun	Support
37	2	STM3007	Pijp	Pipe
38	2	STM6052	Motorsteun	Engine support
39	2	STM3496	Motorsteun	Engine support

onderdelencatalogus parts catalogue



groep/ group	blz./ page	type	omschrijving/description	datum/date
5	1	M3.10/M3.10KC M4.14/M4.14KC	Vliegwielhuis Flywheelhousing	01 10 93



5

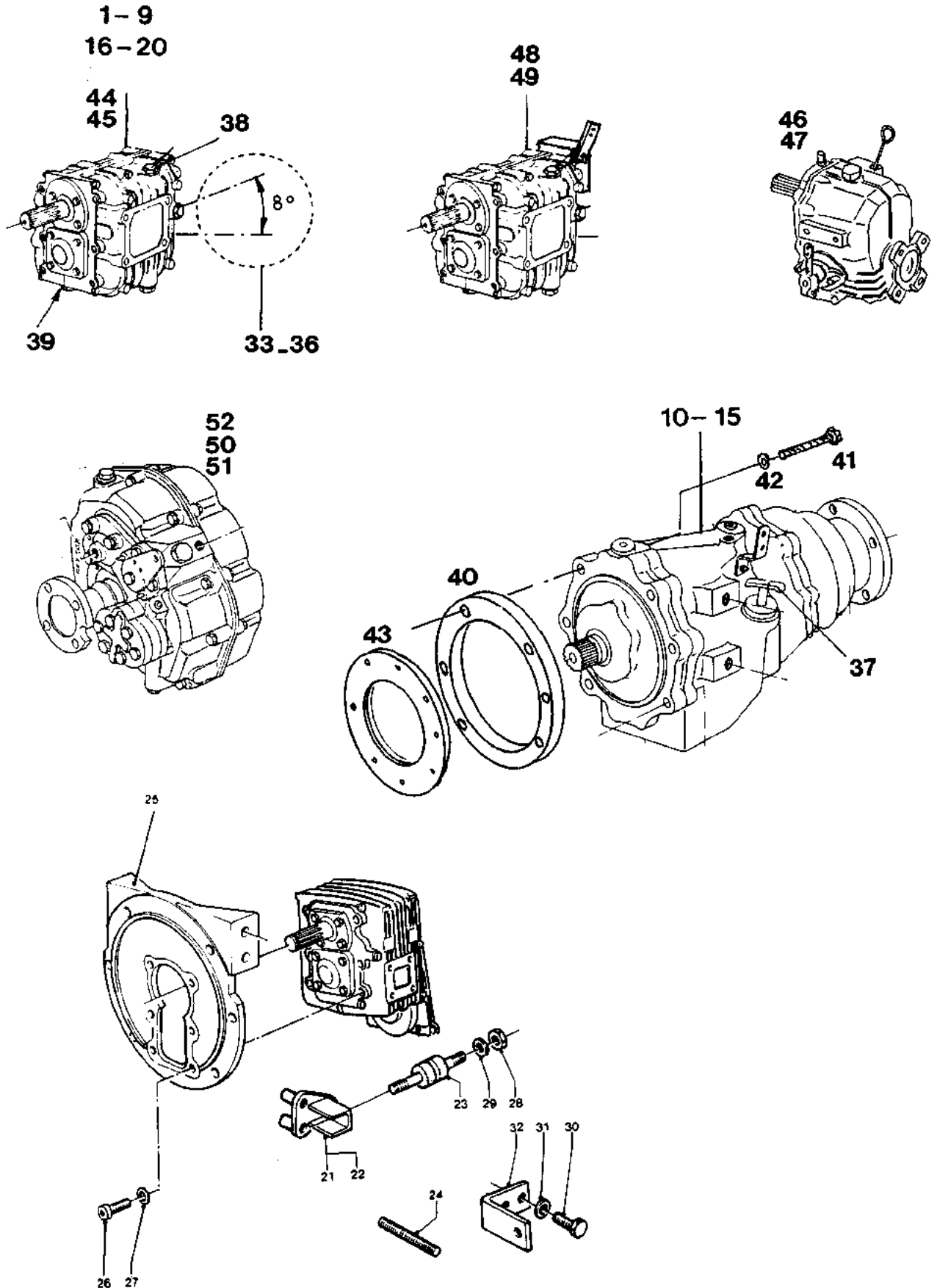
onderdelencatalogus parts catalogue



groep/ group	blz./ page	type	omschrijving/description	datum/date
5	2		Keerkoppelingen Reverse gear boxes	01 02 99

pos.	qty	part	benaming	description
1	1	STM5101	HBW 100 1,5 R	HBW 100 1,5 R
2	1	STM5102	HBW 100 2 R	HBW 100 2 R
3	1	STM5103	HBW 100 3 R	HBW 100 3 R
4	1	STM5151	HBW 150 1,5 R	HBW 150 1,5 R
5	1	STM5152	HBW 150 2 R	HBW 150 2 R
6	1	STM5153	HBW 150 2,5 R	HBW 150 2,5 R
7	1	STM5161	HBW 150 1,8 V Drive R	HBW 150 1,8 V Drive R
8	1	STM5162	HBW 150 2,1 V Drive R	HBW 150 2,1 V Drive R
9	1	STM5163	HBW 150 3 V Drive	HBW 150 3 V Drive
10	1	STM5204	Velvet 1 1 71 C	Velvet 1 1 71 C
11	1	STM5206	Velvet 1,52 71C 006	Velvet 1,52 71C 006
12	1	STM5208	Velvet 1,91 71C 008	Velvet 1,91 71C 008
13	1	STM5210	Velvet 2,1 71C 010	Velvet 2,1 71C 010
14	1	STM5212	Velvet 2,57 71C 012	Velvet 2,57 71C 012
15	1	STM5214	Velvet 2,91 71C 014	Velvet 2,91 71C 014
16	1	STM5251	HBW 250 1,5 R	HBW 250 1,5 R
17	1	STM5252	HBW 250 2 R	HBW 250 2 R
18	1	STM5253	HBW 250 3 R	HBW 250 3 R
19	1	STM5502	HBW 50 2 R	HBW 50 2 R
20	1	STM5352	HBW 35 2 R	HBW 50 3 R
	1	STM5352	HBW 35 2 R	HBW 35 2 R
21	1	STM5166	Steun SB	Support V drive SB
22	1	STM5167	Steun BB	Support V drive PS
23	2	STM3468	Demper	Damper
24	3	STM3469	Draadeind	Stud
25	1	STM5026	Adaptor V drive	Adaptor V drive
26	6	STM5027	Bout	Bolt
27	6	STM4061	Veerring	Washer
28	4	STM4014	Moer	Nut
29	4	STM4018	Veerring	Washer
30	4	STM4013	Bout	Bolt
31	4	STM4014	Veerring	Washer
32	2	STM3756	Steun	Support
33	1	STM5154	HBW 150 A 2R (8°)	HBW 150 A 2R (8°)
34	1	STM5352	HBW150A 2R	HBW150A 2R
35	1	STM5154	HBW150A 2R Down Angle	HBW150A 2R Down Angle
36	1	STM5155	HBW150A 3R Down Angle	HBW150A 3R Down Angle
37	1	STM3773	Pijlstok Velvet	Dipstick Velvet
38	1	STM5176	Pijlstok HBW35-50-100	Dipstick HBW35-50-100
	1	STM5177	Pijlstok HBW150-125	Dipstick HBW150-125
	1	STM5178	Pijlstok HBW250	Dipstick HBW250
39	1	STM5169	Pakkingset HBW35	Gasket set HBW35
	1	STM5170	Pakkingset HBW50	Gasket set HBW50
	1	STM5172	Pakkingset HBW100	Gasket set HBW100
	1	STM5173	Pakkingset HBW250	Gasket set HBW250
40	1	STM2769	Verloopring 4051 -> velvet M3	Reduction washer 4051 -> velvet M3
41	6	STM1612	Bout M10x100	Bolt M10x100
42	6	STM4014	Ring M10	Washer M10
43	1	STM2770	Vliegwiel verzwaring M3	Extra flywheel weight M3
44	1	STM5442	HBW 40 2R	HBW 40 2R
45	1	STM5443	HBW 40 2,7R	HBW 40 2.7R
46	1	STM5402	TMC 40 2:1	TMC 40 2:1
47	1	STM5403	TMC 40 2,6:1	TMC 40 2.6:1
48	1	CT50122	HSW125H 2,14:1	HSW125H 2.14:1
49	1	CT50123	HSW125H 2,63:1	HSW125H 2.63:1
50	1	CT50152	PRM150D 2:1	PRM150D 2:1
51	1	CT50153	PRM150D 3:1	PRM150D 3:1
52	1	STM4029	Adaptorplaat PRM150 -> SAE7	Adaptor plate PRM150 -> SAE7

groep/ group	blz./ page	type	omschrijving/description	datum/date
5	2		Keerkoppelingen Reverse gear boxes	01 02 99



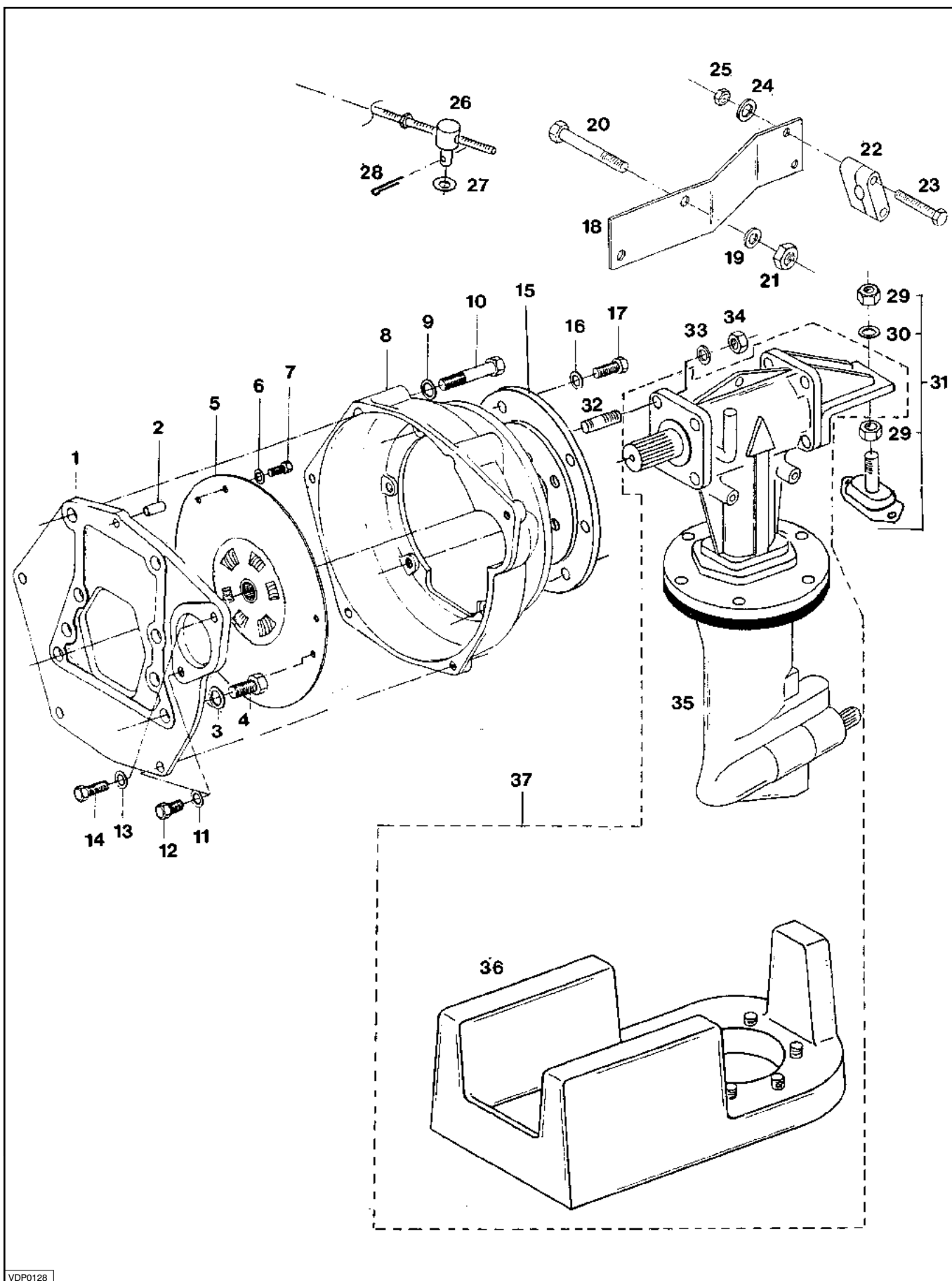
onderdelencatalogus parts catalogue



groep/ group 5	blz./ page 3	type M3.10 M4.14	omschrijving/description Saildrive Lombardini Saildrive Lombardini	datum/date 08 01 02
----------------------	--------------------	------------------------	--	------------------------

pos.	qty	part	benaming	description
1	1	STM4052	Achterplaat	Back plate
2	1	STM2507	Paspen	Pin
3	6	STM4056	Ring	Washer
4	6	STM7053	Bout	Bolt
5	1	STM4054	Demperplaat	Damperplate
6	6	STM1056	Ring	Washer
7	6	STM4055	Bout M8x16	Bolt M8x16
8	1	STM4051	Vlieg wielhuis	Flywheelhousing
9	2	STM4056	Ring	Washer
10	2	STM4057	Bout	Bolt
11	4	STM4061	Ring	Washer
12	4	STM4013	Bout	Ring
13	1	STM4061	Ring	Washer
14	1	STM4062	Bout	Bolt
15	1	STM6900	Adaptor M2, M3, M4	Adaptor M2, M3, M4
16	6	STM4061	Ring	Washer
17	6	STM4013	Bout M10	Bolt M10
18	1	STM6904	Steun	Support
19	2	STM4014	Ring	Washer
20	2	STM6909	Steun	Support
21	2	STM4018	Moer	Nut
22	1	STM1703	Kabelklem	Cable clamp
23	2	STM1704	Bout	Bolt
24	2	STM1707	Ring	Washer
25	2	STM1705	Moer	Nut
26	1	STM1806	Nippel	Nipple
27	1	STM1807	Ring	Washer
28	1	STM1808	Splitpen	Split pin
29	2	STM4010	Moer	Nut
30	1	STM4011	Ring	Washer
31	1	KSTEUN75	Demper M3	Engine mount M3
	1	KSTEUN100	Demper M4	Engine mount M4
32	4	STM6216	Tapeind	Stud
33	4	STM2022	Ring	Washer
34	4	STM4018	Moer	Nut
35	1	STM6906	Staatstuk	Tail piece
36	1	STM6905	Fundatie	Engine bed
37	1	STM5900	Staatstuk + fundatie	Tail piece + engine bed
	1	STM6909	Zinkanode Selva	Zinc anode Selva
	1	STM6910	Moer RVS M16 Selva	Nut S.S. M16 Selva

groep/ group	blz./ page	type	omschrijving/description	datum/date
5	3	M3.10 M4.14	Saildrive Lombardini Saildrive Lombardini	01 10 93



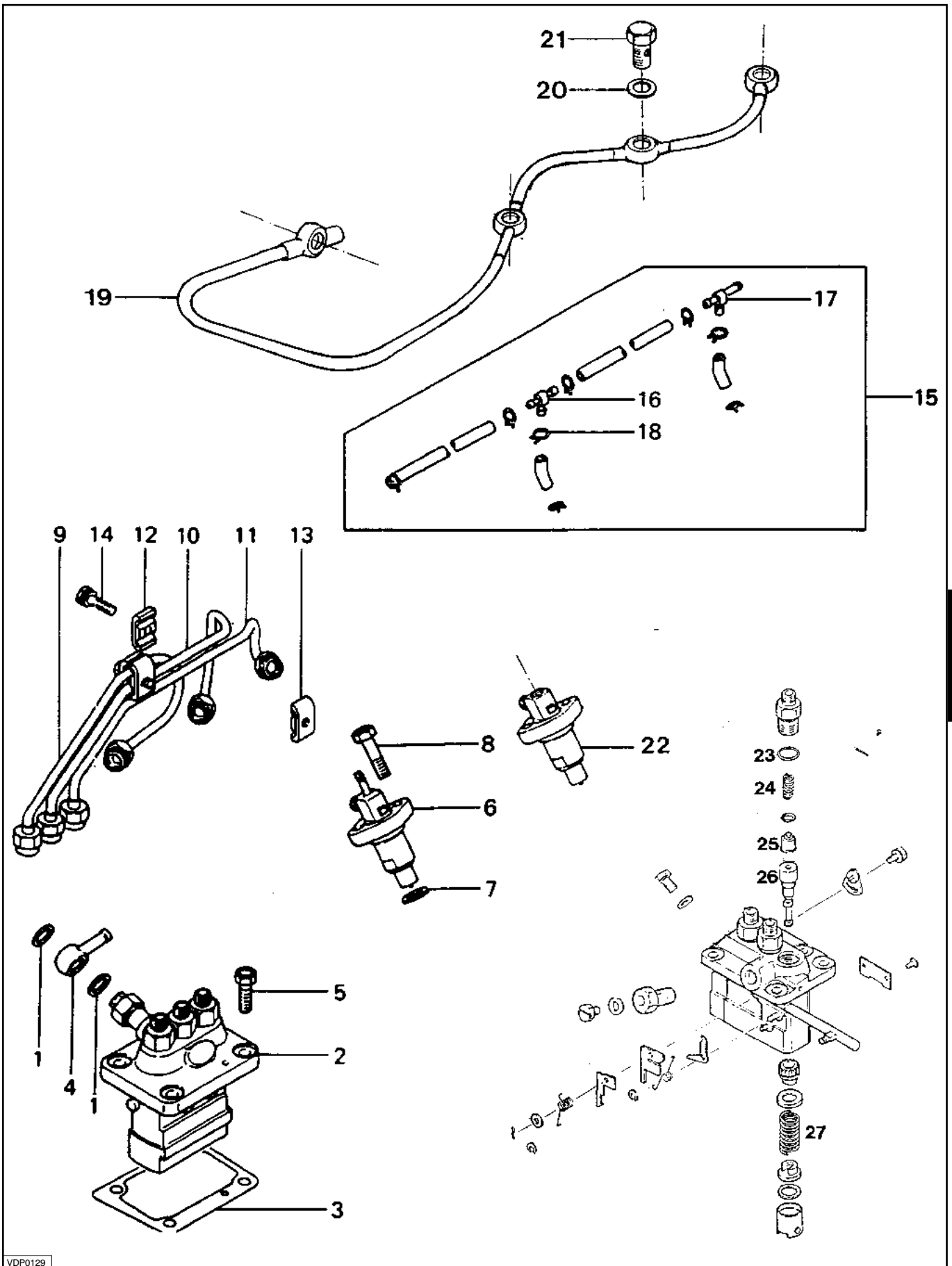
onderdelencatalogus parts catalogue



groep/ group 6	blz./ page 1	type M3.10	omschrijving/description Verstuivers en pomp Injectors and pump	datum/date 01 10 93
----------------------	--------------------	---------------	---	------------------------

pos.	qty	part	benaming	description
1	2	STM9024	Ring	Washer
2	1	STM2700	Injectiepomp	Pump assy fuel
3	1	STM2689	Set shims	Shims set
4	1	STM9262	Banjo oog 1/2"	Banjo eye 1/2"
5	4	STM3355	Bout	Bolt
6	3	STM2702	Verstuiverhouder cpl.	Nozzle holder cpl.
7	3	STM2690	Verstuiverring	Gasket nozzle holder
8	6	STM1651	Bout	Bolt
9	1	STM2691	Verstuiverleiding	Pipe assy
10	1	STM2692	Verstuiverleiding	Pipe assy
11	1	STM2693	Verstuiverleiding	Pipe assy
12	3	STM2694	Klem	Clamp
13	3	STM2695	Klem	Clamp
14	2	STM2696	Bout	Bolt
15	1	STM2697	Lekolieleiding	Pipe assy fuel return
16	1	STM2698	T-stuk lekolie	Joint fuel return
17	1	STM2699	T-stuk lekolie	Joint fuel return
18	8	STM2688	Klem	Clamp
19	1	STM6008	Lekolieleiding M3.10	Leak oil tube M3.10
20	6	STM1007	Ring	Washer
21	3	STM2748	Banjo bout	Banjo bolt
22	3	STM2746	Verstuiverhouder cpl.	Injector cpl.
23	3	STM2779	O-ring	O-ring
24	3	STM2780	Veer	Spring
25	3	STM2771	Persklep	Delivery valve
26	3	STM2777	Element	Element
27	3	STM2778	Veer	Spring

groep/ group	blz./ page	type	omschrijving/description	datum/date
6	1	M3.10	Verstuivers en pomp Injectors and pump	01 10 93



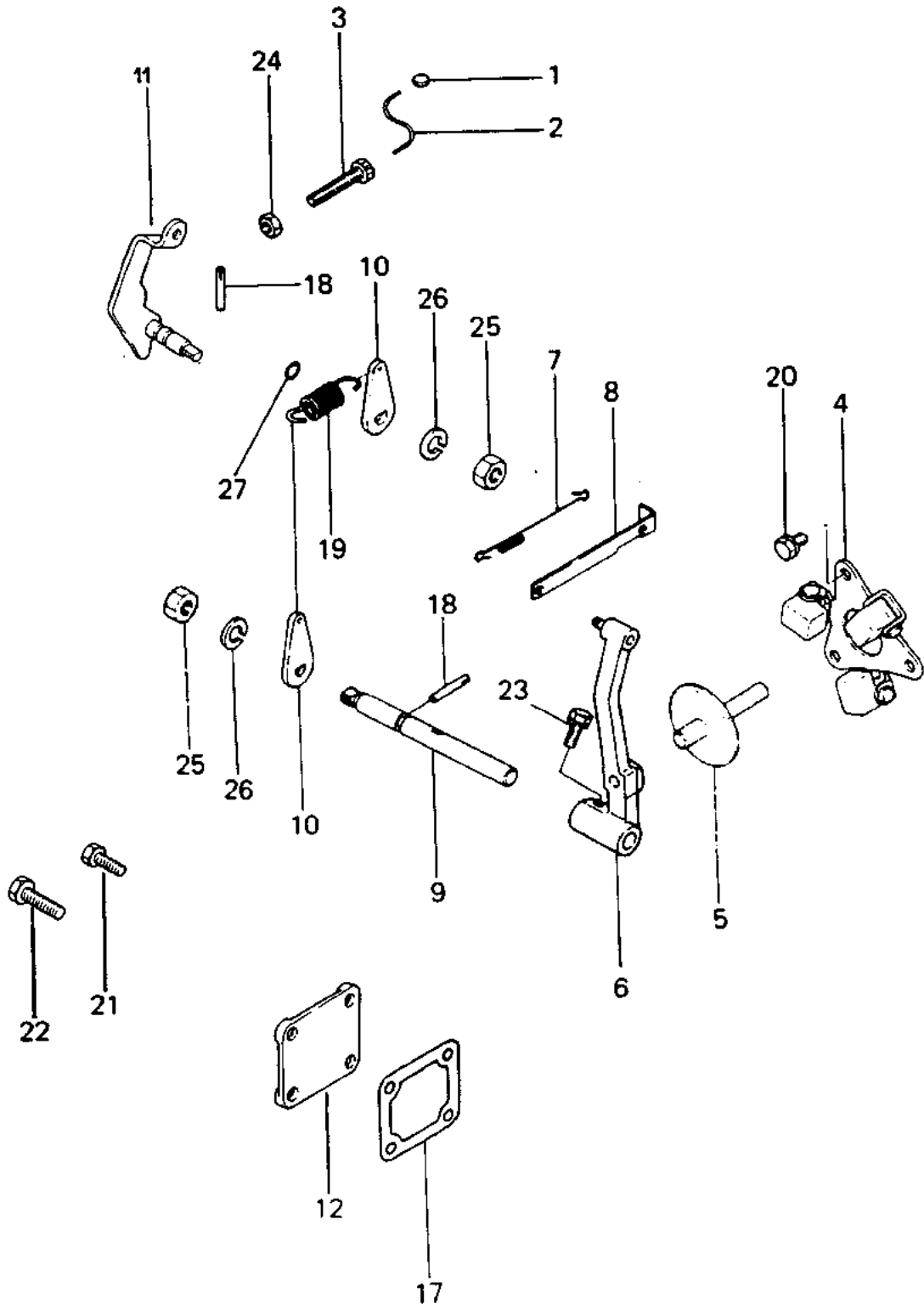
onderdelencatalogus parts catalogue



groep/ group 6	blz./ page 2	type M3.10	omschrijving/description Regulateur Regulator	datum/date 01 10 93
----------------------	--------------------	---------------	---	------------------------

pos.	qty	part	benaming	description
1	1	STM2718	Zegellood	Metal sealing
2	1	STM2719	Zegeldraad	Sealing wire
3	1	STM2720	Bout aanslag	Bolt adj.
4	1	STM2721	Gewicht	Weight assy
5	1	STM2722	As cpl.	Shaft cpl.
6	1	STM2723	Handel cpl.	Lever assy
7	1	STM2724	Veer	Spring
8	1	STM2725	Stang	Rod
9	1	STM2726	As reguleteur	Shaft governor
10	2	STM2727	Veer reguleteur	Spring governor
11	1	STM2728	Handel	Lever assy
12	1	STM2745	Deksel	Cover
17	1	STM2734	Pakking	Gasket
18	2	STM2735	Pen	Pin
19	1	STM2736	Veer	Spring
20	3	STM2737	Bout	Bolt
21	3	STM2738	Bout	Bolt
22	1	STM2260	Bout	Bolt
23	1	STM1024	Bout	Bolt
24	1	STM3260	Moer	Nut
25	2	STM2005	Moer	Nut
26	2	STM1056	Veerring	Washer
27	1	STM2739	O-ring	O-ring

groep/ group	blz./ page	type	omschrijving/description	datum/date
6	2	M3.10	Regulateur Regulator	01 10 93



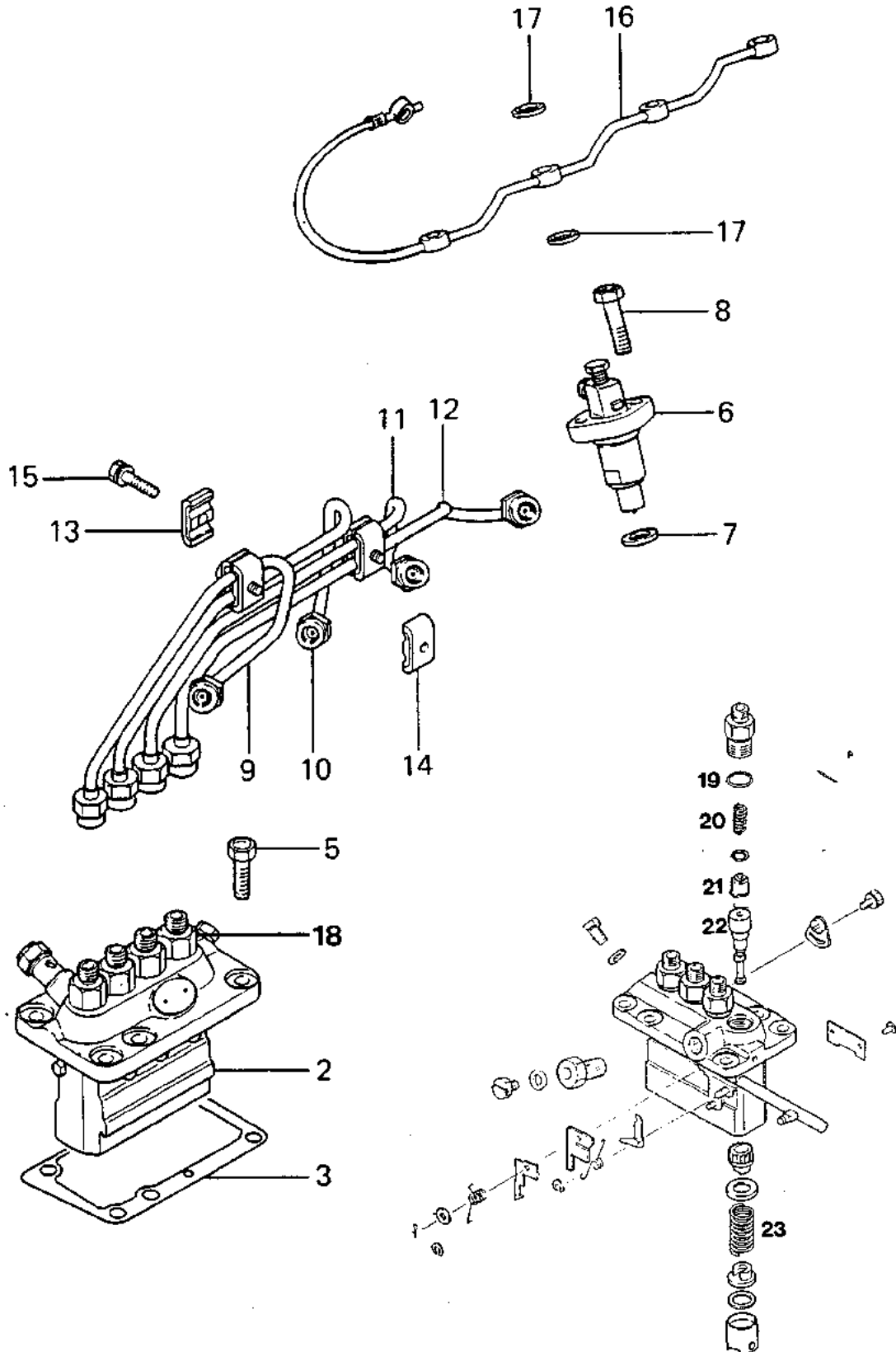
onderdelencatalogus parts catalogue



groep/ group 6	blz./ page 3	type M4.14	omschrijving/description Verstuivers en pomp Injectors and pump	datum/date 01 10 93
----------------------	--------------------	---------------	---	------------------------

pos.	qty	part	benaming	description
2	1	STM3403	Injectiepomp M4	Injection pump M4
3	1	STM3404	Set shims	Set shims
5	6	STM3355	Bout	Bolt
6	4	STM2746	Verstuiverhouder cpl.	Injector holder cpl.
7	4	STM2690	Verstuivering	Gasket nozzle holder
8	8	STM1651	Bout	Bolt
9	1	STM3405	Verstuiverleiding 1	Injector pipe 1
10	1	STM3406	Verstuiverleiding 2	Injector pipe 2
11	1	STM3407	Verstuiverleiding 3	Injector pipe 3
12	1	STM3408	Verstuiverleiding 4	Injector pipe 4
13	3	STM3409	Klem	Clamp
14	3	STM3410	Klem	Clamp
15	3	STM2696	Bout	Bolt
16	1	STM3411	Lekolieleiding	Leak oil tube
17	8	STM1007	Ring	Washer
18	4	STM2771	Terugslagklep	Delivery valve
19	4	STM2779	O-ring	O-ring
20	4	STM2780	Veer	Spring
21	4	STM2771	Persklep	Delivery valve
22	4	STM2777	Element	Element
23	4	STM2778	Veer	Spring

groep/ group	blz./ page	type	omschrijving/description	datum/date
6	3	M4.14	Verstuivers en pomp Injectors and pump	01 10 93



onderdelencatalogus parts catalogue



groep/ group 6	blz./ page 4	type M4.14	omschrijving/description Regulateur Regulator	datum/date 01 10 93
----------------------	--------------------	---------------	---	------------------------

pos.	qty	part	benaming	description
1	1	STM2718	Zegellood	Metal sealing
2	1	STM2719	Zegeldraad	Sealing wire
3	1	STM2720	Bout aanslag	Bolt adj.
4	1	STM3412	Gewicht	Weight
5	1	STM3413	As compleet	Shaft complete
6	1	STM2723	Handel compleet	Lever assy
7	1	STM3414	Stopper	Stopper
8	1	STM3515	Bout	Bolt
9	1	STM2724	Veer	Spring
10	1	STM2725	Stang	Rod
11	1	STM2726	As reguleteur	Shaft governor
12	2	STM2727	Lever	Lever
13	1	STM2728	Handel	Lever assy
14	1	STM2745	Deksel	Cover
19	1	STM2734	Pakking	Gasket
20	1	STM2735	Pen	Pin
22	1	STM2736	Veer	Spring governor
23	2	STM2737	Bout	Bolt
24	1	STM3260	Moer	Nut
25	2	STM2005	Moer	Nut
26	2	STM1056	Veerring	Washer
27	1	STM2739	O-ring	O-ring
28	1	STM1024	Bout	Bolt
29	1	STM2774	Veer	Spring
30	2	STM2773	Lever	Lever
31	1	STM2772	Veer (rood)	Spring (red)
32	1	STM2775	Veer	Spring

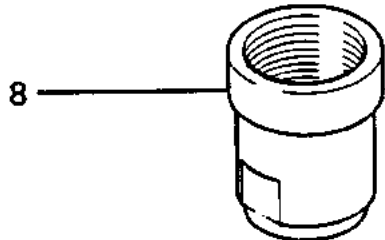
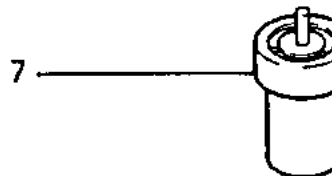
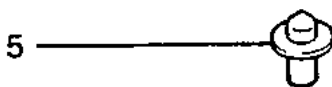
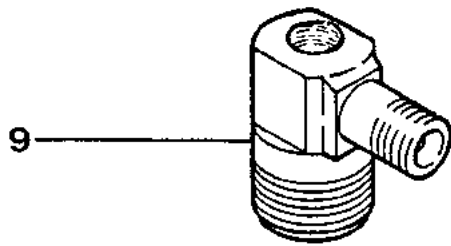
onderdelencatalogus parts catalogue



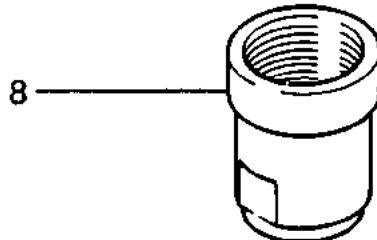
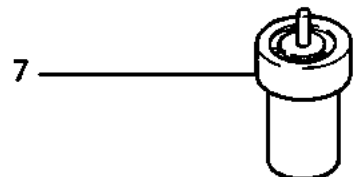
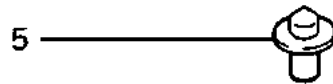
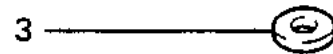
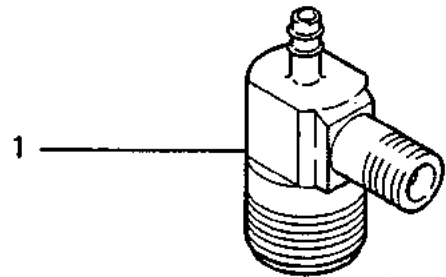
groep/ group	blz./ page	type	omschrijving/description	datum/date
6	5	M3.10 M4.14	Verstuiverhouder Injector holder	01 10 93

pos.	qty	part	benaming	description
1	3	STM2703	Huis	Body
2	3	STM2704	Flens	Flange
3	3	STM2705	Ring 1,3	Washer 1,3
4	1	STM2713	Veer	Spring
5	1	STM2714	Pen	Pin
6	1	STM2715	Afstandsbus	Distance bush
7	1	STM2716	Verstuiver	Nozzle
8	1	STM2717	Borgmoer	Retaining nut
9	3	STM2701	Huis verstuiver	Body injector
10	1	STM2746	Verstuiverhouder cpl.	Injector cpl.
11	1	STM2702	Verstuiverhouder cpl.	Nozzle holder cpl.

groep/ group	blz./ page	type	omschrijving/description	datum/date
6	5	M3.10 M4.14	Verstuiverhouder Injector holder	01 10 93



10



11

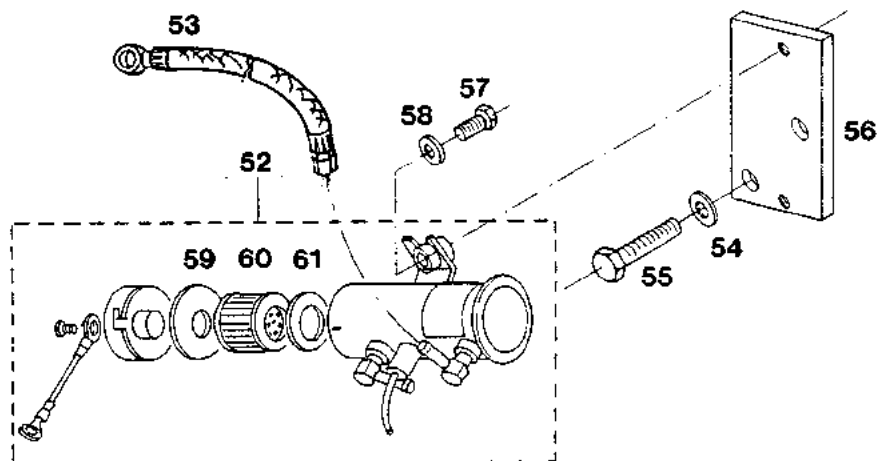
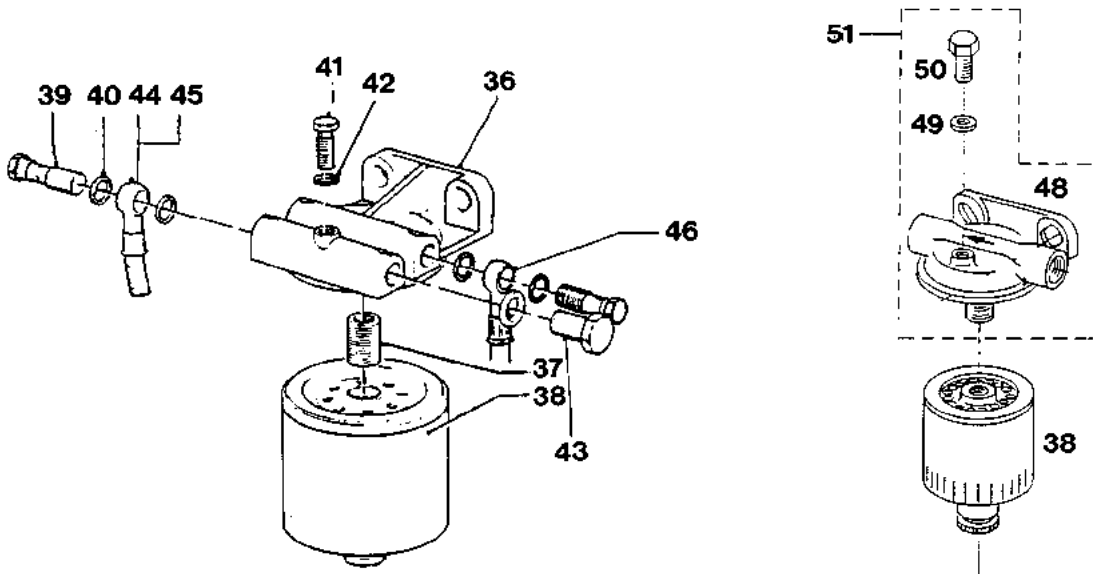
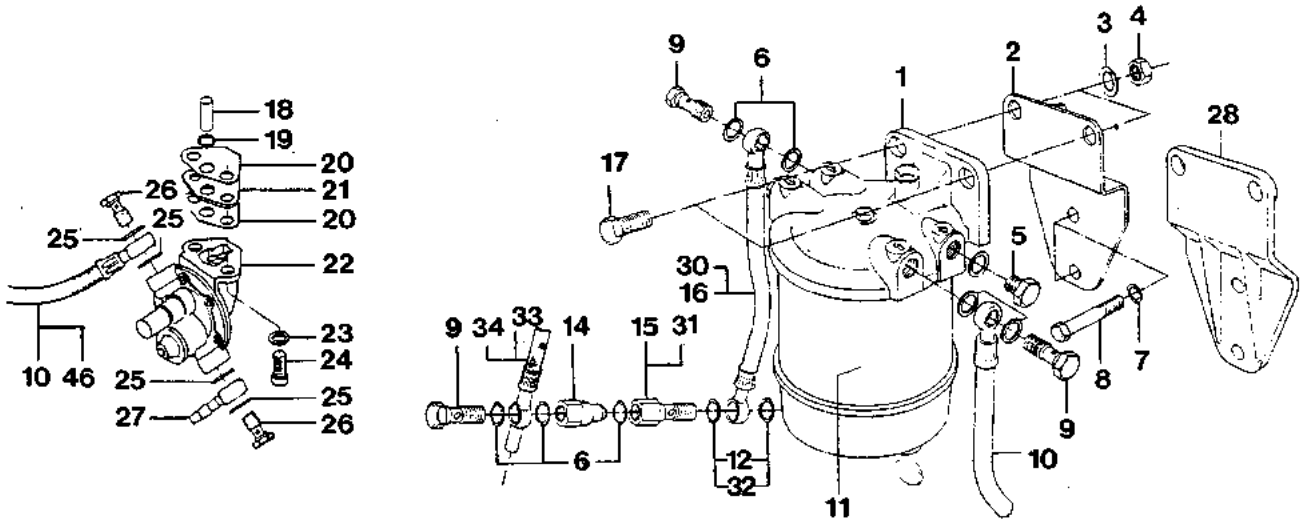
onderdelencatalogus parts catalogue



groep/ group	blz./ page	type	omschrijving/description	datum/date
6	6	M3.10 M4.14	Brandstoffilter Fuel filter	01 10 93

pos.	qty	part	benaming	description
1	1	STM9002	Brandstoffilter cav.	Fuel filter cav.
2	1	STM9251	Steun	Support
3	2	STM4014	Veerring	Washer
4	2	STM4018	Moer	Nut
5	2	STM9258	Plug	Plug
6	9	STM9024	Ring	Washer
7	2	STM1606	Veerring	Washer
8	2	STM9256	Bout	Bolt
9	2	STM9253	Banjo bout	Banjo bolt
10	1	STM3464	Brandstofslang M3 M4	Fuel hose M3 M4
11	1	STM9028	Brandstoffilter elem. cav.	Fuel filter elem. cav.
12	2	STM7056	Ring	Washer
14	1	STM9026	Drukontlastklep	Relieve valve
15	1	STM9254	Banjo bout	Banjo bolt
16	1	STM9255	Brandstofslang	Fuel hose
17	2	STM9003	Bout M10x25	Bolt M10x25
18	1	STM8054	Pen	Pin
19	1	STM7054	O-ring	O-ring
20	2	STM8055	Pakking	Gasket
21	1	STM8056	Plaat	Plate
22	1	STM7055	Opvoerpomp	Lift pump fuel
23	8	STM1019	Veerring	Washer
24	2	STM3742	Bout	Bolt
25	4	STM7056	Ring	Washer
26	2	STM8057	Banjo bout	Banjo bolt
27	1	STM9262	Banjo oog M12	Banjo eye M12
28	1	STM2806	Steun brandstoffilter	Support fuel filter
30	1	STM9267	Brandstofslang M4.14	Fuel hose M4.14
31	1	STM2807	Banjo bout M4.14	Banjo bolt M4.14
32	2	STM1062	Ring	Washer
33	1	STM6008	Lekolieleiding M3.10	Leak oil tube M3.10
34	1	STM3411	Lekolieleiding M4.14	Leak oil tube M4.14
36	1	STM3500	Filterkop M2.05	Filterhead M2.05
37	1	STM3697	Draadbus	Threaded bush
38	1	STM3690	Brandstoffilter easy ch.	Fuel filter easy change
39	2	STM8057	Banjobout	Banjo bolt
40	6	STM7056	Ring	Washer
41	1	STM3696	Ontluchtingsnippel	Air vent nipple
42	1	STM1007	Ring	Washer

groep/ group	blz./ page	type	omschrijving/description	datum/date
6	6	M3.10 M4.14	Brandstoffilter Fuel filter	01 10 93



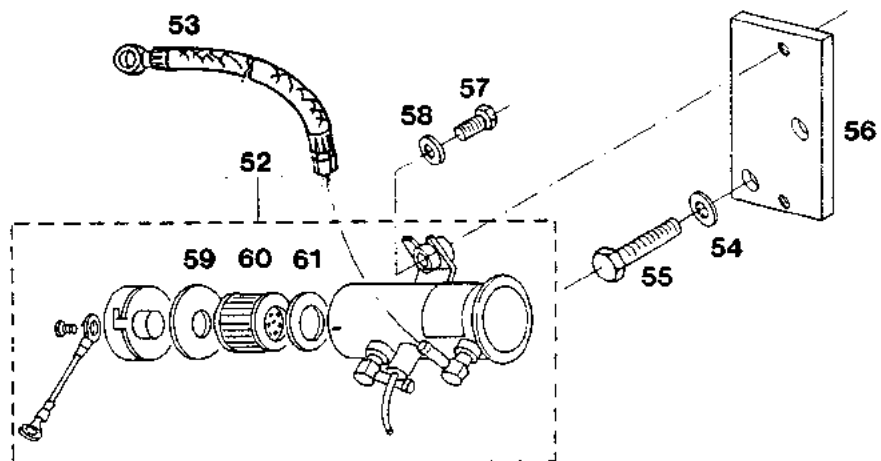
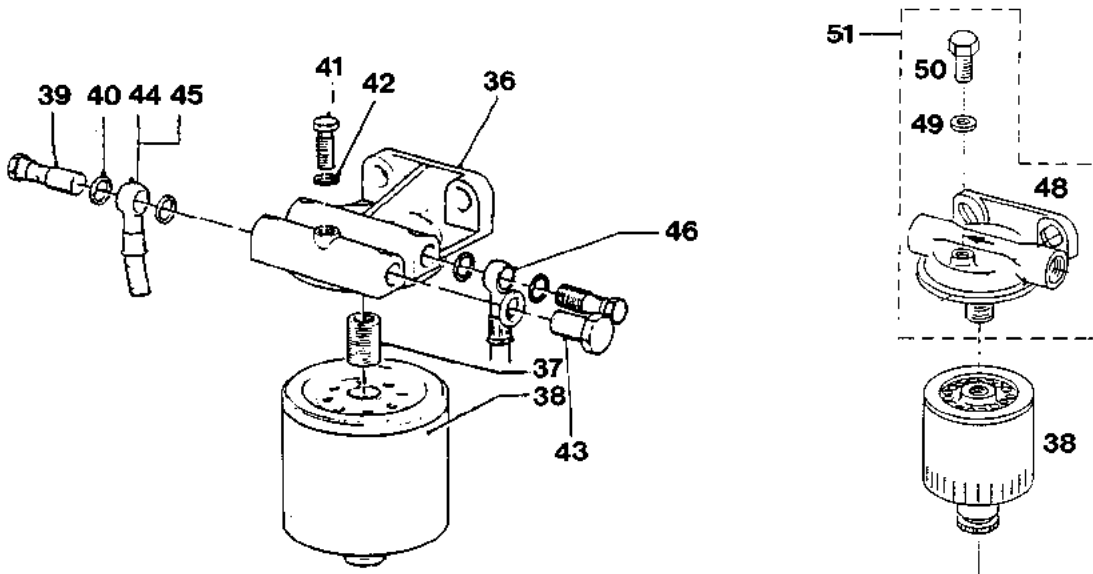
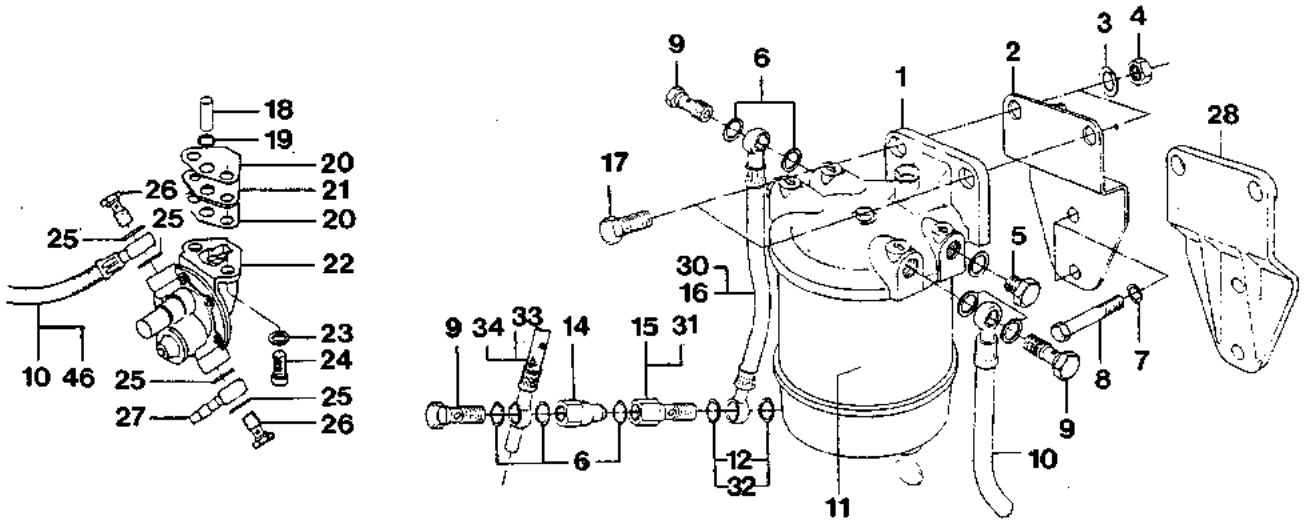
onderdelencatalogus parts catalogue



groep/ group 6	blz./ page 6a	type M3.10 M4.14	omschrijving/description Brandstoffilter Fuel filter	datum/date 08 01 02
----------------------	---------------------	------------------------	--	------------------------

pos.	qty	part	benaming	description
43	2	STM3699	Plug M12x1	Plug M12x1
44	1	STM9248	Brandstofslang M3.10	Fuel hose M3.10
45	1	STM9249	Brandstofslang M4.14	Fuel hose M4.14
46	1	STM9247	Brandstofslang M3 M4	Fuel hose M3 M4
47	1	STM7065	Reparatieset voor 7055	Rep. set for 7055
48	1	STM6050	Filterkop M12x1	Filter cap
49	1	STM3797	Ring	Washer
50	1	STM3796	Bout	Bolt
51	1	STM6049	Filterkop compl.	Filter cap compl
52	1	STM4049	El. brandstofopvoerpomp KC	El. lift pump fuel
53	1	STM4069	Slang KC	Hose KC
54	2	STM4003	Veerring	Washer spring
55	2	STM7053	Bout	Bolt
56	1	STM4039	Steun	Support
57	2	STM1030	Bout	Bolt
58	2	CT40029	Veerring	Washer spring
59	1	STM4038	Pakking	Gasket
60	1	STM4050	Filter	Filter
61	1	STM4037	Pakking	Gasket

groep/ group	blz./ page	type	omschrijving/description	datum/date
6	6a	M3.10 M4.14	Brandstoffilter Fuel filter	01 10 93



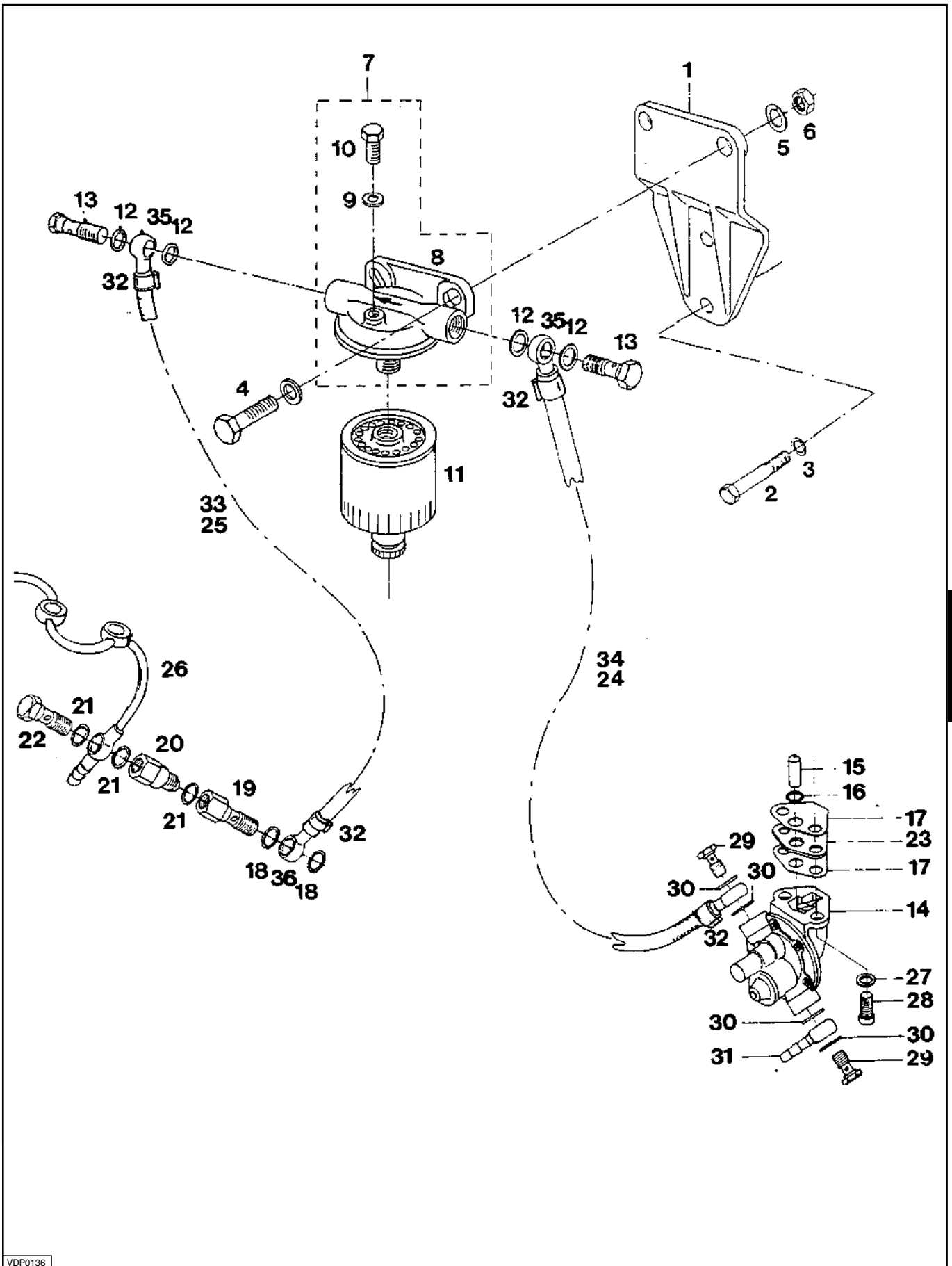
onderdelencatalogus parts catalogue



groep/ group 6	blz./ page 7	type M3.10 M4.14	omschrijving/description Brandstofsysteem Fuelsystem	datum/date 08 01 02
----------------------	--------------------	------------------------	--	------------------------

pos.	qty	part	benaming	description
1	1	STM2806	Steun	Stay
2	2	STM9256	Bout	Bolt
3	2	STM1606	Veerring	Spring washer
4	2	STM9003	Bout	Bolt
5	2	STM4014	Veerring	Spring washer
6	2	STM4018	Moer	Nut
7	1	STM6049	Filterkop cpl.	Filterhead cpl.
8	1	STM6050	Filterkop M12x1	Filterhead M12x1
9	1	STM3797	Ring	Washer
10	1	STM3796	Bout	Bolt
11	1	STM3690	Brandstoffilter	Fuelfilter
12	4	STM7056	Ring	Washer
13	2	STM8057	Banjobout	Banjo bolt
14	1	STM7055	Brandstofpomp	Fuelpump
15	1	STM8054	PEN	PIN
16	1	STM7054	O-Ring	O-Ring
17	2	STM8055	Pakking	Gasket
18	2	STM7056	Ring M3	Washer M3
	2	STM1062	Ring M4	Washer M4
19	1	STM9254	Banjobout M3	Banjobolt M3
	1	STM2807	Banjobout M4	Banjobolt M4
20	1	STM9026	Drukontlastklep	Relieve valve
21	3	STM9024	Ring	Washer
22	1	STM9253	Banjobout	Banjo bolt
23	1	STM8056	Plaat	Plate
24	1	STM9247	Slang	Tube
25	1	STM9248	Slang M3	Tube M3
	1	STM9249	Slang M4	Tube M4
26	1	STM6008	Lekolieleiding M3	Leak oil tube M3
	1	STM3411	Lekolieleiding M4	Leak oil tube M4
27	2	STM1019	Ring	Washer
28	2	STM3742	Bout	Bolt
29	2	STM8057	Banjo Bout	Banjo Bolt
30	4	STM7056	Ring	Washer
31	1	STM9262	Banjo oog	Banjo eye
32	4	STM6185	Klern	Clamp
33	1	STM9221	Slang 0,17 mtr.	Hose 0.17 mtr.
34	1	STM9220	Slang 0,675 mtr.	Hose 0.675 mtr.
35	3	STM9262	Banjo oog	Banjo eye
36	1	STM9262	Banjo oog M3.10	Banjo eye M3.10
	1	STM9266	Banjo oog M4.14	Banjo eye M4.14

groep/ group	blz./ page	type	omschrijving/description	datum/date
6	7	M3.10 M4.14	Brandstofsysteem Fuelsystem	29 10 93



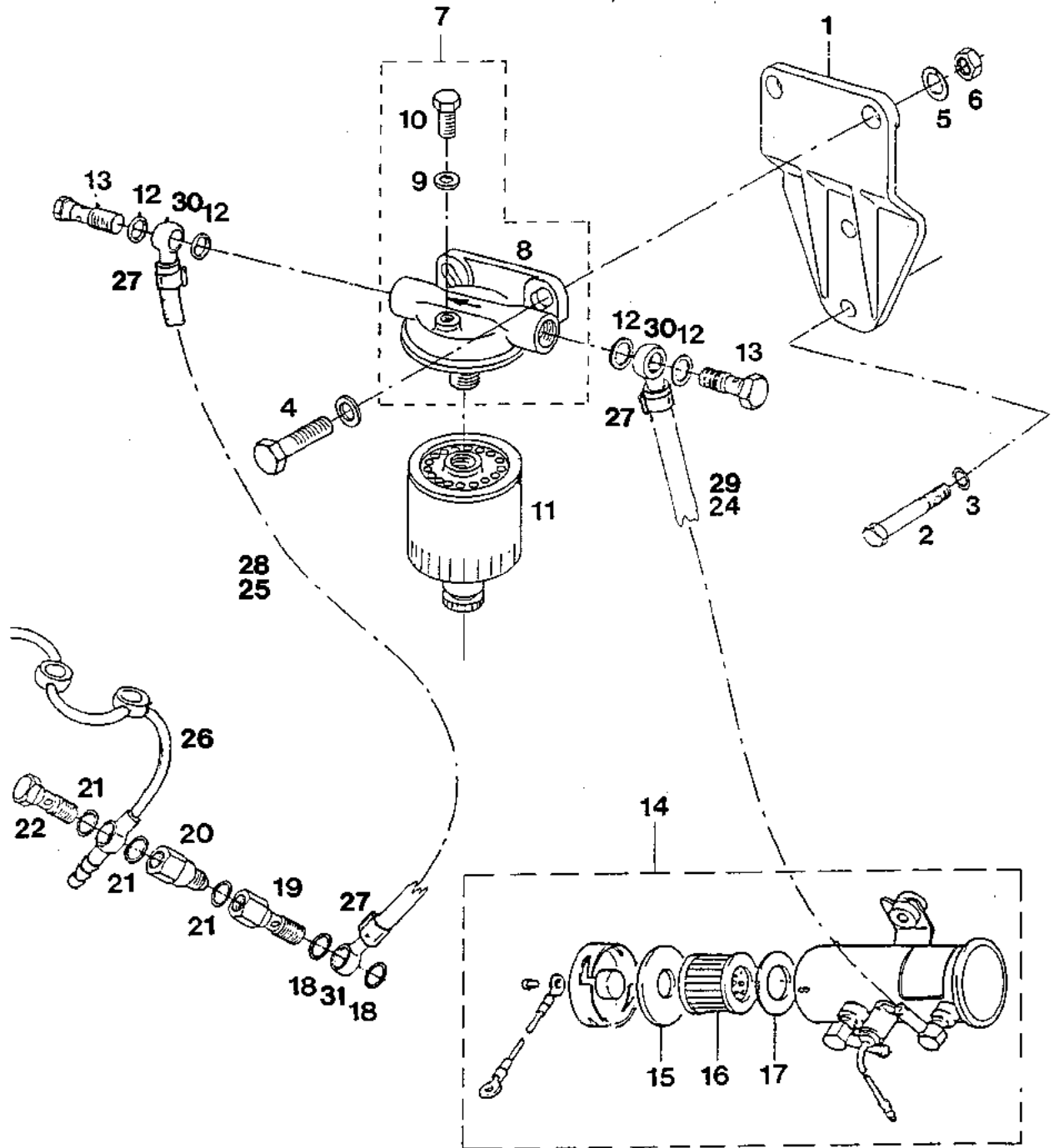
onderdelencatalogus parts catalogue



groep/ group	blz./ page	type	omschrijving/description	datum/date
6	8	M3 M4	Brandstofsysteem Kielkoeling Fuelsystem Keelcooler	08 01 02

pos.	qty	part	benaming	description
1	1	STM2806	Steun	Stay
2	2	STM9256	Bout	Bolt
3	2	STM1606	Veerring	Spring washer
4	2	STM9003	Bout	Bolt
5	2	STM4014	Veerring	Spring washer
6	2	STM4018	Moer	Nut
7	1	STM6049	Filterkop cpl.	Filterhead cpl
8	1	STM6050	Filterkop M12x1	Filterhead M12x1
9	1	STM3797	Ring	Washer
10	1	STM3796	Bout	Bolt
11	1	STM3690	Brandstoffilter	Fuelfilter
12	4	STM7056	Ring	Washer
13	2	STM8057	Banjobout	Banjo bolt
14	1	STM4049	Brandstofpomp	Fuelpump
15	1	STM4038	Pakking	Gasket
16	1	STM4050	Filter	Filter
17	1	STM4037	Pakking	Gasket
18	2	STM7056	Ring M3	Washer M3
	2	STM1062	Ring M4	Washer M4
19	1	STM9254	Banjobout M3	Banjobolt M3
	1	STM2807	Banjobout M4	Banjobolt M4
20	1	STM9026	Drukontlastklep	Relieve valve
21	3	STM9024	Ring	Washer
22	1	STM9253	Banjobout	Banjo bolt
24	1	STM4069	Slang	Tube
25	1	STM9248	Slang M3 compleet	Hose M3 cPlo
	1	STM9249	Slang M4 compleet	Hose M4 cpl.
26	1	STM6008	Lekolieleiding M3	Leakoil tube M3
	1	STM3411	Lekolieleiding M4	Leakoil tube M4
27	4	STM6185	Klem	Clamp
28	1	STM9221	Slang 0,17 mtr	Hose 0.17 mtr.
29	1	STM4069	Slang 0,60 mtr	Hose 0.60 mtr.
30	2	STM9262	Banjo oog	Banjo eye
31	1	STM9262	Banjo oog M3.10	Banjo eye M3.10
	1	STM9266	Banjo oog M4.14	Banjo eye M4.14

groep/ group	blz./ page	type	omschrijving/description	datum/date
6	8	M3 M4	Brandstofsysteem Kielkoeling Fuelsystem Keelcooler	29 10 93



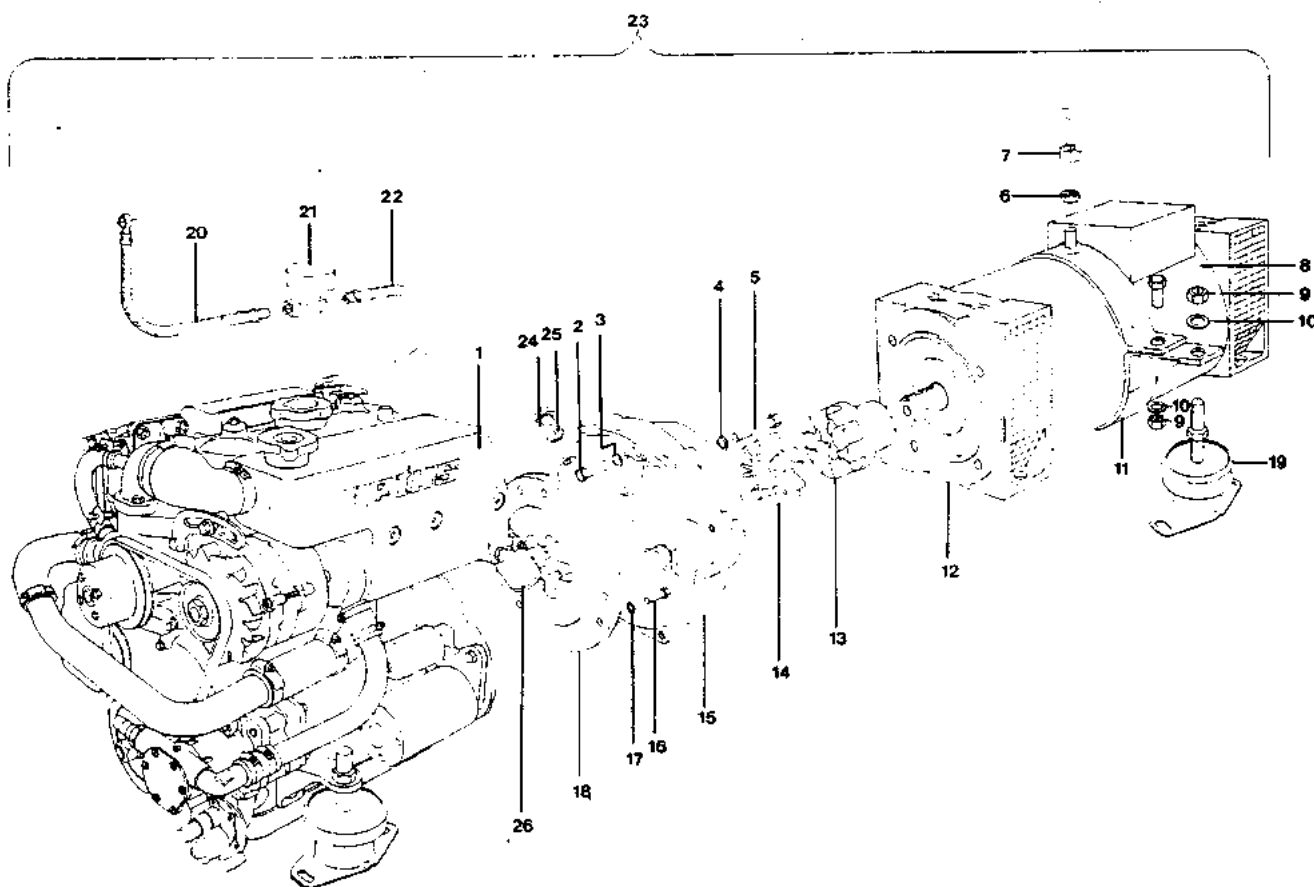
onderdelencatalogus parts catalogue



groep/ group	blz./ page	type	omschrijving/description	datum/date
7	1	AGM3.10	Generator set Generator set	01 10 93

pos.	qty	part	benaming	description
1	1	STM3BT	M3.10 zonder vliegwielhuis	M3.10 Bobtail no flyw.housing
2	4	STM7077	Bout	Bolt
3	4	STM4056	Veerring	Washer
4	2	STM4056	Veerring	Washer
5	2	STM4057	Bout	Bolt
6	1	STM7031	Moer	Nut
7	2	STM7032	Oogmoer	Lift eye
8	2	STM7090	Bout	Bolt
9	8	STM4010	Moer M16x1.5	Nut M16x1.5
10	4	STM4011	Tandveerring M16	Spring washer M16
11	1	STM6060	Ophangbeugel AGM3.10	Generator support AGM3.10
12	1	STM7081	Generator	Generator
	1	STM3492	Generator 10KV 220 sing	Generator 10KV 220 sing
	1	STM3493	Generator 60Hz 120/240	Generator 60Hz 120/240
13	1	STM4072	Koppeling HadeF	Coupling HadeF
14	1	STM4073	Vulcolan ster	Vulcolan star
15	1	STM4070	Vliegwielhuis AGM3.10	Flywheelhousing AGM3.10
16	6	STM7059	Bout	Bolt
17	6	STM1056	Veerring	Washer
18	1	STM4071	Aandrijfplaat	Driveplate
19	4	STM1070	Hydrodemper	Hydromount
20	1	STM7026	Brandstofleiding	Fuel lead
21	1	STM7091	Magneetventiel	Solenoid valve
22	1	STM7027	Brandstofleiding	Solenoid valve
23	1	STM7095	Aggregaat compleet	Generator set complete
24	1	STM3035	Plug	Plug
25	1	STM3353	Ring	Washer
26	1	STM2195	Thermocontact 93°C	Thermocontact 93°C
	1	STM3720	Circuitbreaker	Circuitbreaker
	1	STM3721	Circuitbreaker	Circuitbreaker
	1	STM3723	Weerstand	Resistance
	1	STM3724	Diode	Diode
	1	STM3725	Diodebrug	Diodebridge
	1	STM3772	Spanningsregelaar	Voltage control

groep/ group	blz./ page	type	omschrijving/description	datum/date
7	1	AGM3.10	Generator set Generator set	01 10 93



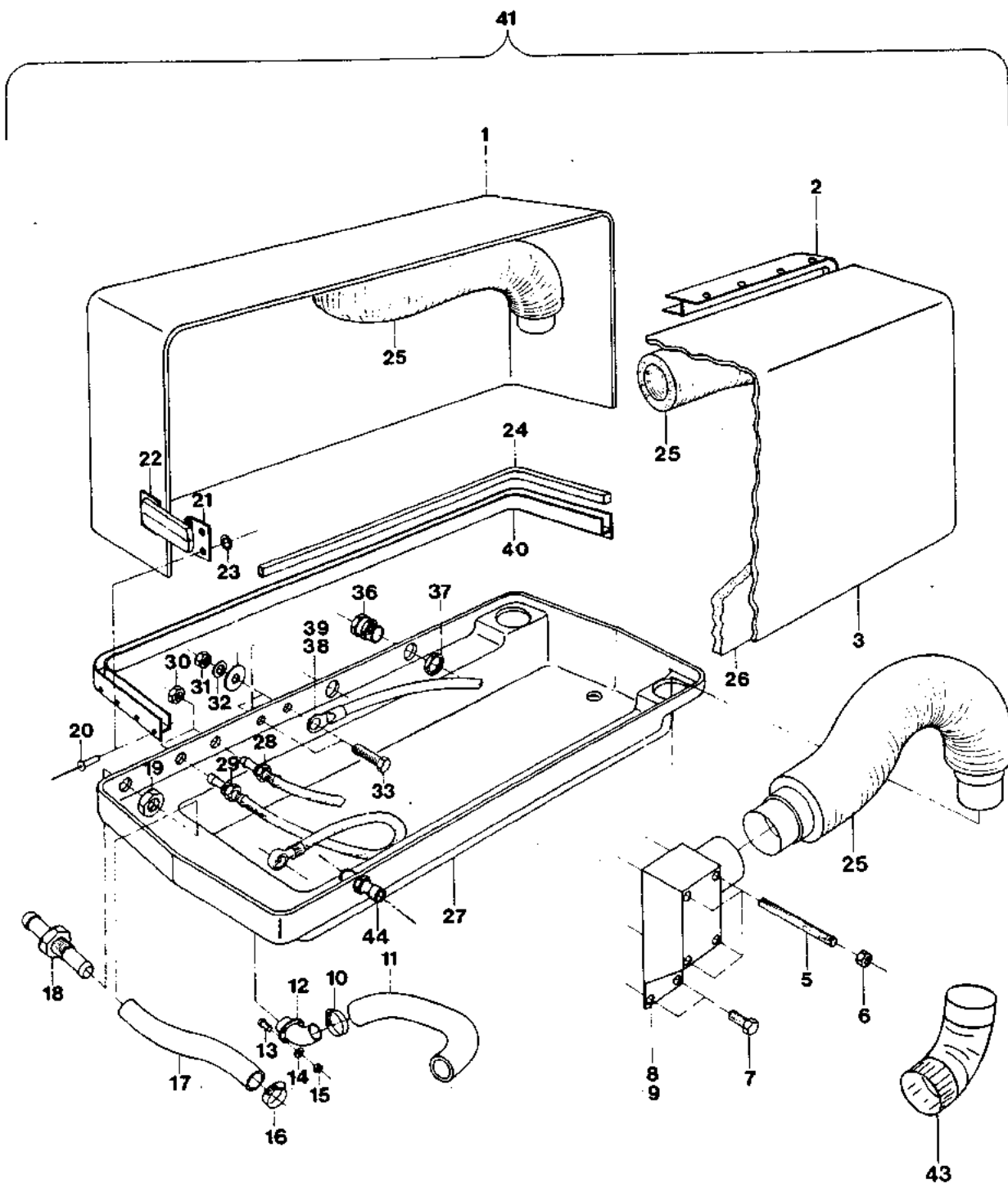
onderdelencatalogus parts catalogue



groep/ group 7	blz./ page 2	type AGM3.10	omschrijving/description Geluidkast Sound box	datum/date 01 10 93
----------------------	--------------------	-----------------	---	------------------------

pos.	qty	part	benaming	description
1	1	STM7072	Bovenkap	BP Cover fuel pump side
2	1	STM7075	Alu Z profiel boven	Alu Z profile top
3	1	STM7073	Bovenkap startm. zijde	Cover startm. side
5	8	STM7078	Draadeind	Stud
6	8	STM3260	Moer	Nut
7	4	STM1024	Bout	Bolt
8	1	STM7070	Luchtafvoerdekseel SM	Air lead SM
9	1	STM7071	Luchtafvoerdekseel BPAir	lead fuel side BP
10	4	STM3005	Slangklem	Hose clamp
11	1	STM7099	Uitlaatslang diam. 40	Exhaust hose diam. 40
12	1	STM7089	Doorvoer 40 mm	Thru fitting 40 mm
13	4	STM2260	Bout	Bolt
14	4	STM3260	Moer	Nut
15	4	STM1025	Ring	Washer
16	2	STM2012	Slangklem	Hose clamp
17	1	STM7050	Slang AG M3.10	Hose AG M3.10
18	1	STM7088	Doorvoer 22 mm	Thru fitting 22 mm
19	1	STM7049	Moer M24x1,5	Nut M24x1,5
20	85	STM7084	Popnagel waterdicht	Blind rivet tight
21	12	STM7048	Haak AG M3.10	Hook AG M3.10
22	12	STM7085	Snelspanner	Lock hooker
23	48	STM7047	Sluitring	Washer
24	2	STM7086	Rubber strip	Rubber strip
25	4	STM7079	Akoust. slang	Acoust. hose
26	3	STM7046	Isolatieplaat 20	spulsolation plate 20
27	1	STM7074	Onderbak	Base
28	1	STM7045	Retour brandstofslang	Return fuel hose
29	1	STM7044	Aanzuigslang	Suction hose
30	2	STM7043	Moer	Nut
31	4	STM7042	Moer	Nut
32	2	STM1007	Ring	Washer
33	2	STM7041	Bout	Bolt
36	1	STM7038	Kabeldoorvoer	Cable fitting
37	1	STM7037	Moer	Nut
38	1	STM7034	Kabel rood 25 mm ²	Cabel red 25 mm ²
39	1	STM7033	Kabel 25 mm ² 8 10	Cabel 25 mm ² 8 10
40	2	STM7076	Alu Z profiel onder	Alu Z profile lower
41	1	STM7098	Geluidskast compleet	Sound box complete
42	1	STM7039	PU strip 5 mtr	PU strip 5 mtr
43	2	STM7064	Alu bocht 80 mm 45 gr	Alu bend 80 mm 45 degr.
44	1	STM7087	Doorvoer brands 8 mm	Thru fitting 8 mm

groep/ group	blz./ page	type	omschrijving/description	datum/date
7	2	AGM3.10	Geluidkast Sound box	01 10 93



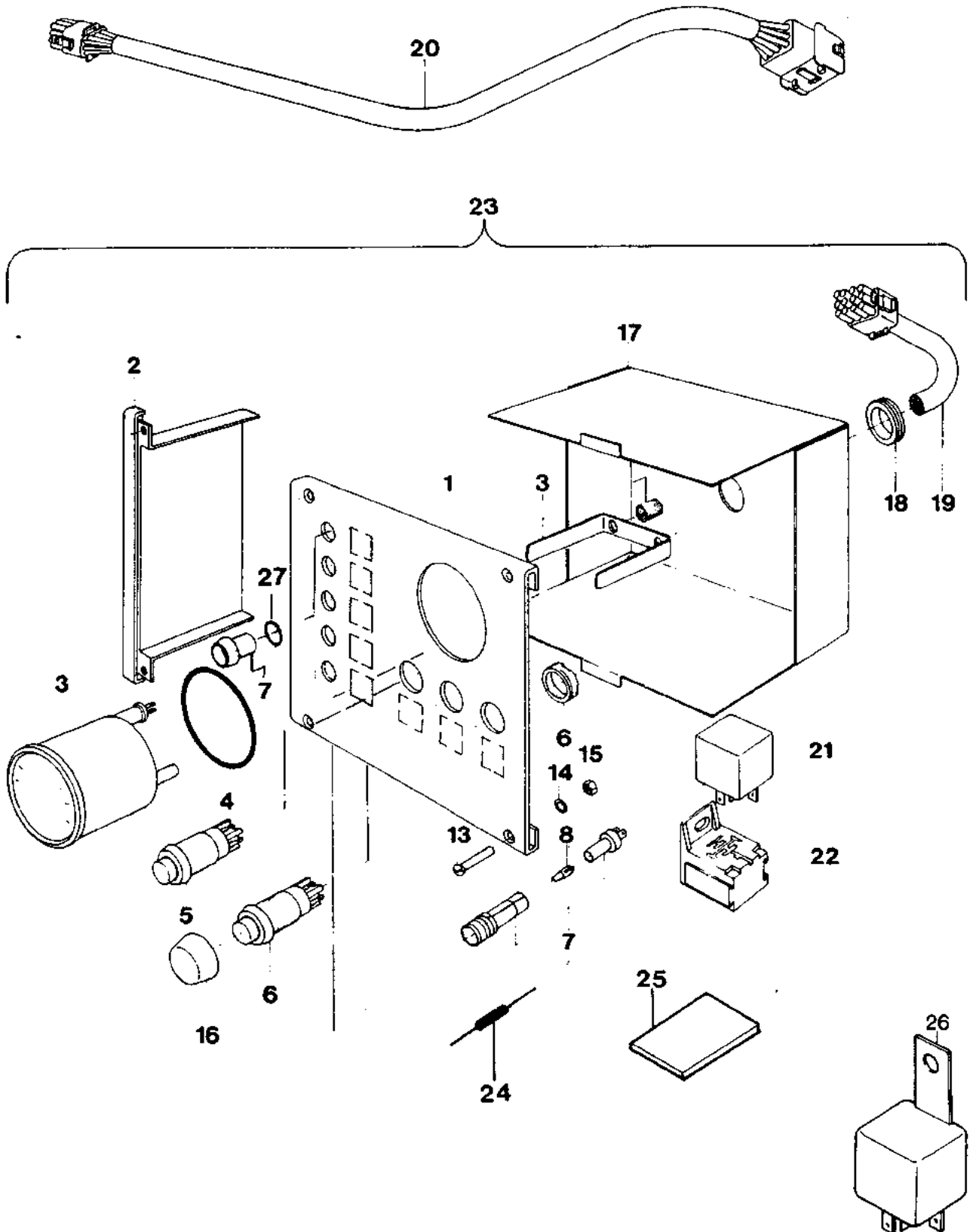
onderdelencatalogus parts catalogue



groep/ group 7	blz./ page 3	type AGM3.10	omschrijving/description Instrumentenpaneel Instrument panel	datum/date 01 10 93
----------------------	--------------------	-----------------	--	------------------------

pos.	qty	part	benaming	description
1	1	STM9151	Frontplaat M3.10	Front instr. M3.10
2	2	STM9109	Zijschot	Side plate
3	1	STM9160	Toerenteller	Tachometer
4	1	STM9159	O-ring	O-ring
5	1	STM9154	Drukschakelaar MM	Pulse switch MM
6	1	STM9131	Rubberkap MB	Rubber cap
7	5	STM9108	Lamphouder rood	Bulb fitting red
8	5	STM9106	Lampje 12V	Bulb 12V
13	4	STM9122	Bout	Bolt
14	4	STM9123	Ring	Washer
15	4	STM9113	Moer	Nut
16	1	STM9155	Rubber kap groen	Rubber cap green
	1	STM9156	Rubber kap rood	Rubber cap red
	1	STM9158	Rubber kap zwart	Rubber cap black
17	1	STM9152	Beschermkap	Protector plate
18	1	STM9061	Slangtule	Protector
19	1	STM7006	Bedradingspaneel STGEN3	Wiring panel STGEN3
20	1	STM9056	Verlengkabel 2 mtr bruin	Extension 2 mtr brown
21	2	STM9053	Relais	Relay
22	2	STM9052	Insteekvoet	Relay foot
23	1	STM7007	Bedieningspaneel STGEN3	Control panel STGEN3
24	9	STM3368	Diode 1 AMP	Diode 1 AMP
25	1	STM3757	Printplaat	Printed circuit board
26	1	STM9050	Relais (startmotor)	Relay (startmotor)
27	5	STM9161	O-ring	O-ring

groep/ group	blz./ page	type	omschrijving/description	datum/date
7	3	AGM3.10	Instrumentenpaneel Instrument panel	01 10 93



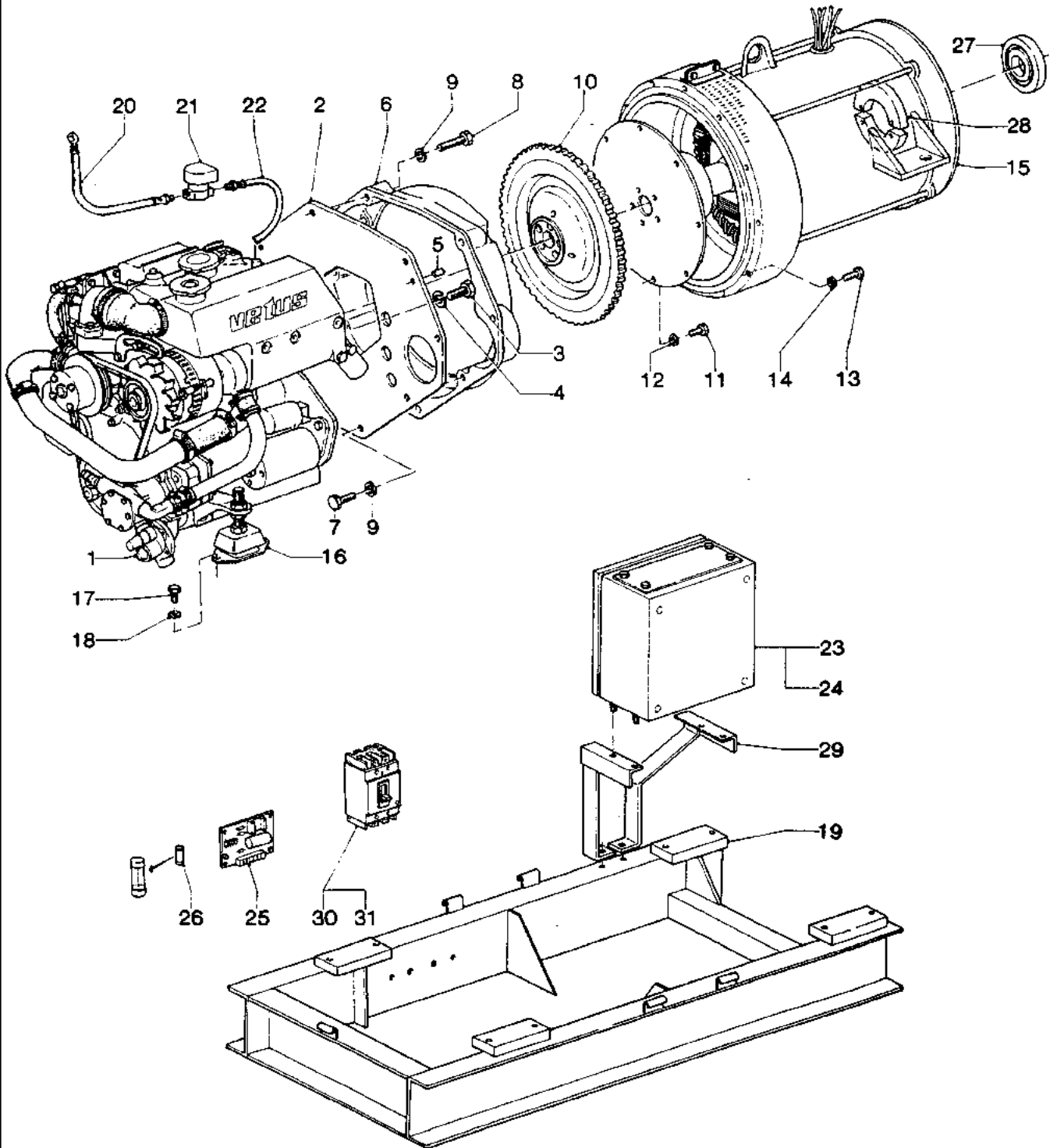
onderdelencatalogus parts catalogue



groep/ group 7	blz./ page 4	type GEN15KVA	omschrijving/description Generator set 15 KVA Generator set 15 KVA	datum/date 01 10 93
----------------------	--------------------	------------------	--	------------------------

pos.	qty	part	benaming	description
1	1	STM3811	Basismotor K3D	Basic engine K3D
2	1	STM3800	Achterplaat MM4082125	Rear plate M4082125
3	6	STM7053	Bout	Bolt
4	6	STM4056	Veerring	Spring washer
5	2	STM3813	Paspen MM408245	Dowel pin MM408245
6	1	STM3802	Vliegwielhuis MM431538S	Flywheelhousing MM431538S
7	5	STM3817	Bout M12x1,25x25	Bolt M12x1,25x25
8	2	STM3818	Bout M12x1,25x50	Bolt M12x1,25x50
9	7	STM4003	Veerring	Spring washer
10	1	STM3801	Vlieg wiel MM430867S	Flywheel MM430867S
11	8	STM3355	Bout M8x20	Bolt M8x20
12	8	STM1056	Veerring M8	Spring washer M8
13	8	STM3705	Bout M10x1,25x25	Bolt M10x1,25x25
14	8	STM4061	Veerring	Spring washer
15	1	STM3804	Generator LSA 41	Generator LSA 41
16	4	STM1071	Trillingdemper K75	Vibration damper K75
17	8	STM4016	Bout M10x20	Bolt M10x20
18	8	STM4061	Veerring	Spring washer
19	1	STM3803	Frame genset	Frame genset
20	1	STM7026	Brandstofleiding	Fuel pipe
21	1	STM7091	Magneet ventiel	Solenoid valve
22	1	STM7027	Brandstofleiding	Fuel pipe
23	1	STM3822	Elec. aansluitkast 22,5 Amp	Elec. connect. box 22,5 Amp
24	1	STM3823	Elec. aansluitkast 45 Amp	Elec. connect. box 45 Amp.
25	1	STM3824	Spanningsregelaar RS 152 A	Power control RS 152 A
26	1	STM3825	Zekering 2 T	Fuse 2 T
27	1	STM3826	Kogellager	Ball bearing
28	1	STM3827	Roterende gelijkrichter	Rotating rectifier
29	1	STM6348	Set beugels	Set of brackets
30	1	STM3721	Circuitbreker 22,5 Amp	Circuit breaker 22,5 Amp
31	1	STM3720	Circuitbreker 45 Amp	Circuit breaker 45 Amp

groep/ group	blz./ page	type	omschrijving/description	datum/date
7	4	GEN15KVA	Generator set 15 KVA Generator set 15 KVA	01 10 93



onderdelencatalogus parts catalogue



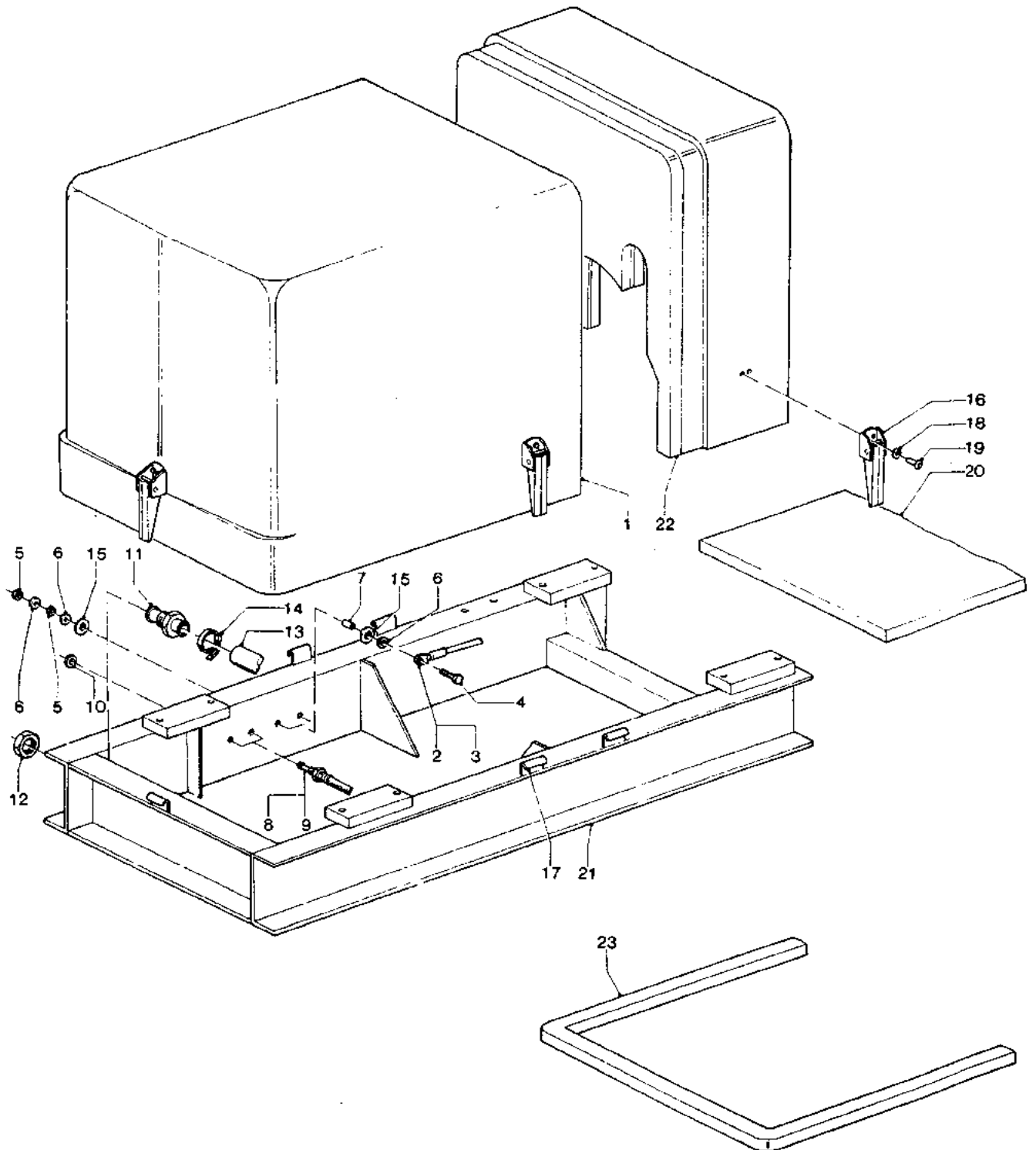
groep/ group 7	blz./ page 5	type GEN15KVA	omschrijving/description Geluidskast Sound box	datum/date 01 10 93
----------------------	--------------------	------------------	--	------------------------

pos.	qty	part	benaming	description
1	1	STM3815	Geluidkast I	Soundbox I
2	1	STM7034	Accukabel +	Battery cable +
3	1	STM7033	Accukabel -	Battery cable -
4	2	STM7041	Bout	Bolt
5	4	STM7042	Moer	Nut
6	6	STM1653	Ring	Ring
7	2	STM3816	Nylon bus	Nylon bush
8	1	STM7045	Brandstofslang retour	Fuel hose return
9	1	STM7044	Brandstofslang aanzuig	Fuel hose supply
10	2	STM7043	Moer	Nut
11	1	STM7088	Doorvoer	Thru fitting
12	1	STM7049	Moer	Nut
13	1	STM7050	Slang	Hose
14	2	STM2012	Slangklem	Hose clamp
15	4	STM3821	Nylon ring	Nylon ring
16	5	STM7085	Snelspanner	Tensioner
17	5	STM7048	Haak	Hook
18	10	STM7047	Sluitring	Washer
19	10	STM7084	Popnagel	Blind rivet
20	1	STM7046	Isolatieplaat SPU 20	Insulation plate SPU 20
21	1	STM3803	Frame	Frame
22	1	STM3828	Geluidskast II	Sound box II
23	1	STM3872	Stootband	Rubber seal

onderdelencatalogus parts catalogue



groep/ group	blz./ page	type	omschrijving/description	datum/date
7	5	GEN15KVA	Geluidskast Sound box	01 10 93



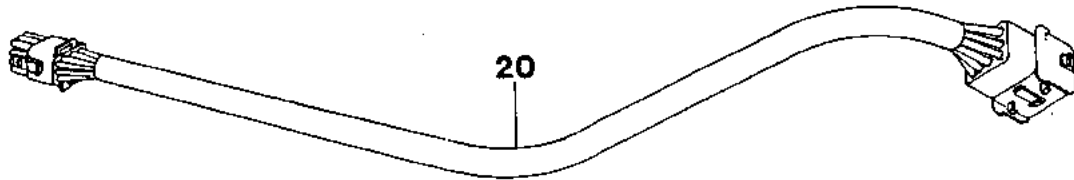
onderdelencatalogus parts catalogue



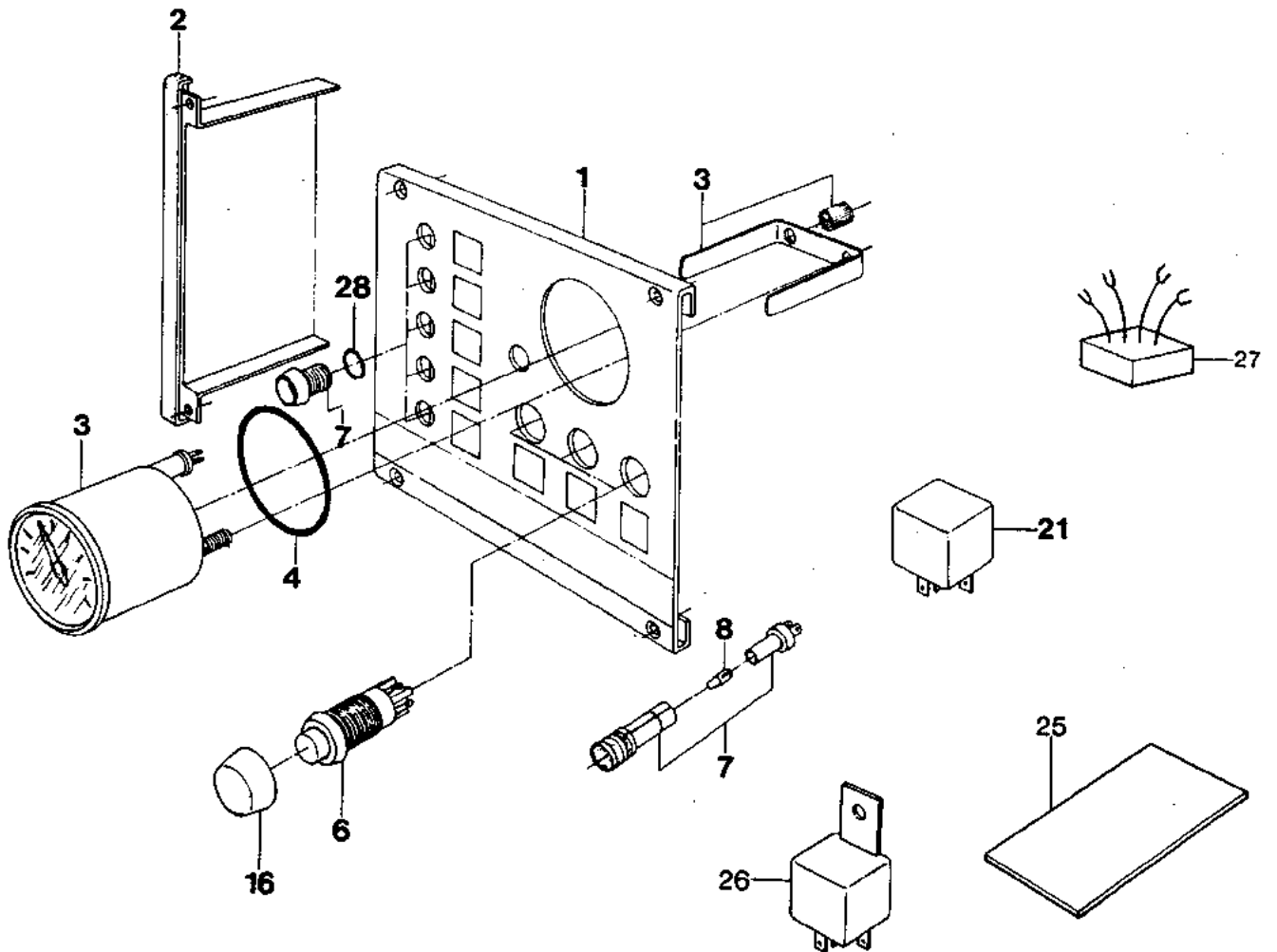
groep/ group 7	blz./ page 6	type GEN15KVA	omschrijving/description Instrumentenpaneel Instrument panel	datum/date 01 10 93
----------------------	--------------------	------------------	--	------------------------

pos.	qty	part	benaming	description
1	1	STM3885	Frontplaat M3	Front instr. M3
2	2	STM9109	Zijschot	Side plate
3	1	STM3812	Urenteller	Hourmeter
4	1	STM9159	O-ring	O-ring
6	3	STM9131	Drukschakelaar MB	Pulse switch MB
7	6	STM9108	Lamphouder rood	Bulb fitting red
8	6	STM9106	Lampje 12V	Bulb 12V
16	1	STM9155	Rubber kap groen	Rubber cap green
	1	STM9156	Rubber kap rood	Rubber cap red
	1	STM9158	Rubber kap zwart	Rubber cap black
19	1	STM7006	Bedradingspaneel STGEN3	Wiring panel STGEN3
20	1	STM3898	Verlengkabel 12 m BEDR1212	Extension lead 12 m BEDR1212
21	2	STM9053	Relais	Relay
22	2	STM9052	Insteekvoet	Relay foot
23	1	STM7007	Bedieningspaneel M3-GEN	Control panel M3-GEN
24	9	STM3368	Diode 1 Amp	Diode 1 Amp
25	1	STM3757	Printplaat	Printed circuit board
26	1	STM9050	Relais (startmotor)	Relay (starter)
27	1	STM3893	Alarm vertraging	Alarm delay (optional)
28	5	STM9161	O-ring	O-ring

groep/ group	blz./ page	type	omschrijving/description	datum/date
7	6	GEN15KVA	Instrumentenpaneel Instrument panel	01 10 93



23



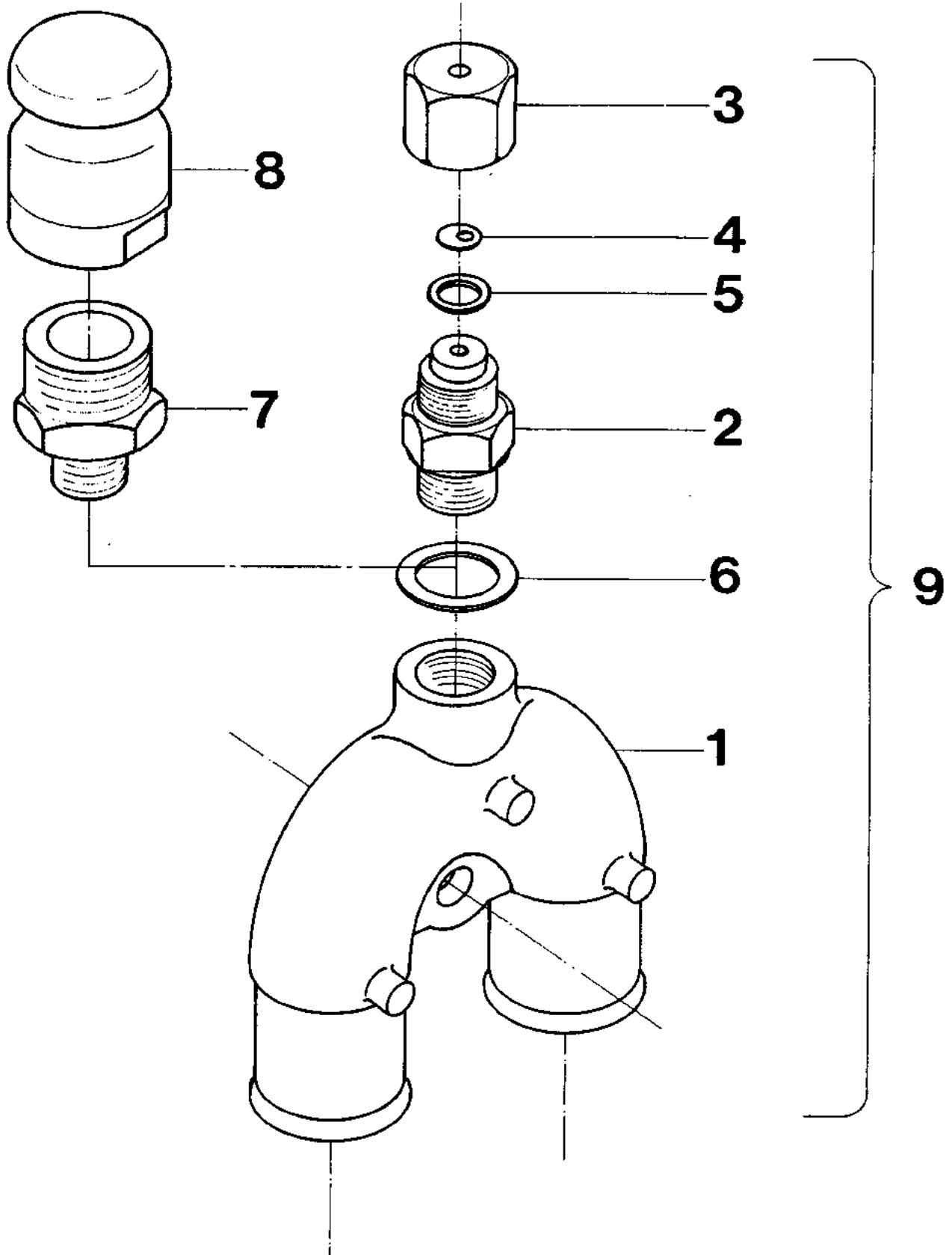
onderdelencatalogus parts catalogue



groep/ group	blz./ page	type	omschrijving/description	datum/date
10	1		Beluchter Anti-syphon valve	01 10 93

pos.	qty	part	benaming	description
1	1	STM7101	Bocht beluchter	Bend anti-syphon
2	1	STM7102	Nippel beluchter	Nipple
3	1	STM7103	Dop beluchter	Cap
4	1	STM7104	Klepje beluchter	Valve
5	1	STM7105	Ring beluchter	Washer
6	1	STM7106	Ring beluchter	Washer
7	1	STM3480	Verloopnippel G 1/2 - G 1/4	Nipple G 1/2 - G 1/4
8	1	STM3477	Beluchter ventiel F	Air vent F
9	1	STM7100	Beluchter compleet	Anti syphon valve complete

groep/ group 10	blz./ page 1	type	omschrijving/description Beluchter Anti-syphon valve	datum/date 01 10 93
-----------------------	--------------------	------	--	------------------------



onderdelencatalogus parts catalogue

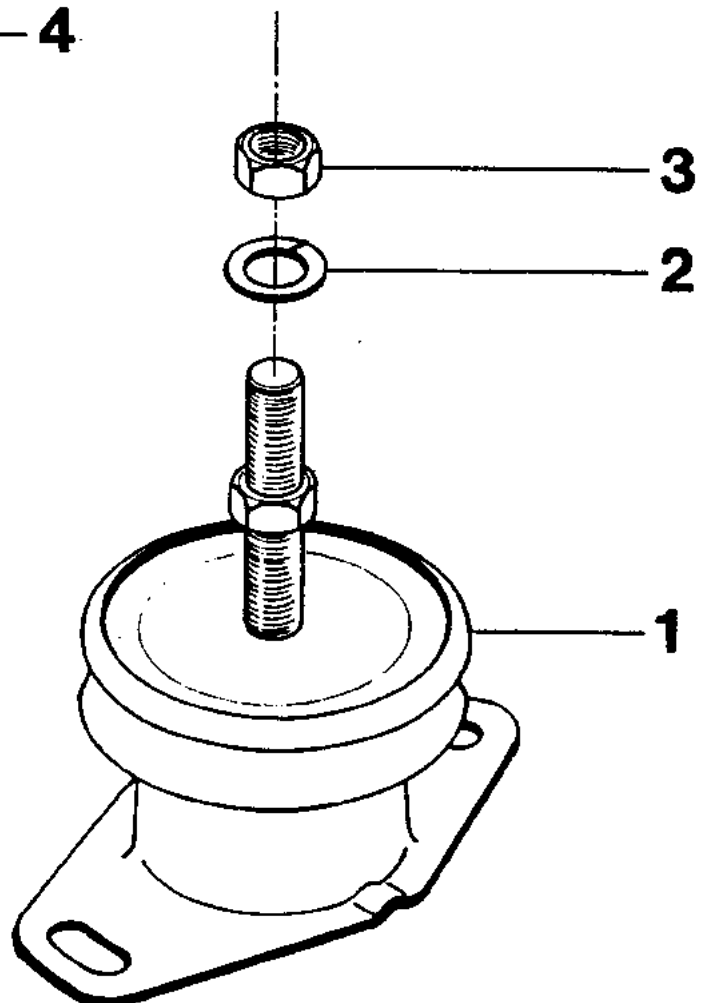
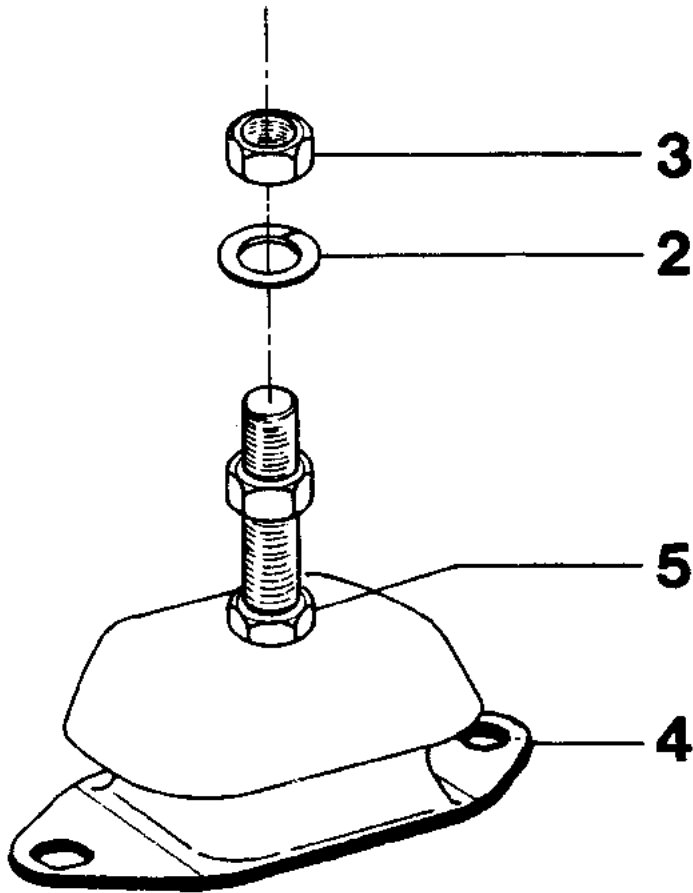


groep/ group 10	blz./ page 2	type	omschrijving/description Trillingdemper Rubber mounts	datum/date 01 10 93
-----------------------	--------------------	------	---	------------------------

pos.	qty	part	benaming	description
------	-----	------	----------	-------------

1	1	STM1070	Hydrodemper	Hydromount
2	1	STM4011	Tandveerring M16	Spring washer M16
3	2	STM4010	Moer M16x1,5	Nut M16x1,5
4	1	STM1071	Trillingdemper K70	Engine mount K70
5	1	STM1072	Lage moer M16x1,5	Low nut M16x1,5

groep/ group	blz./ page	type	omschrijving/description	datum/date
10	2		Trillingdemper Rubber mounts	01 10 93



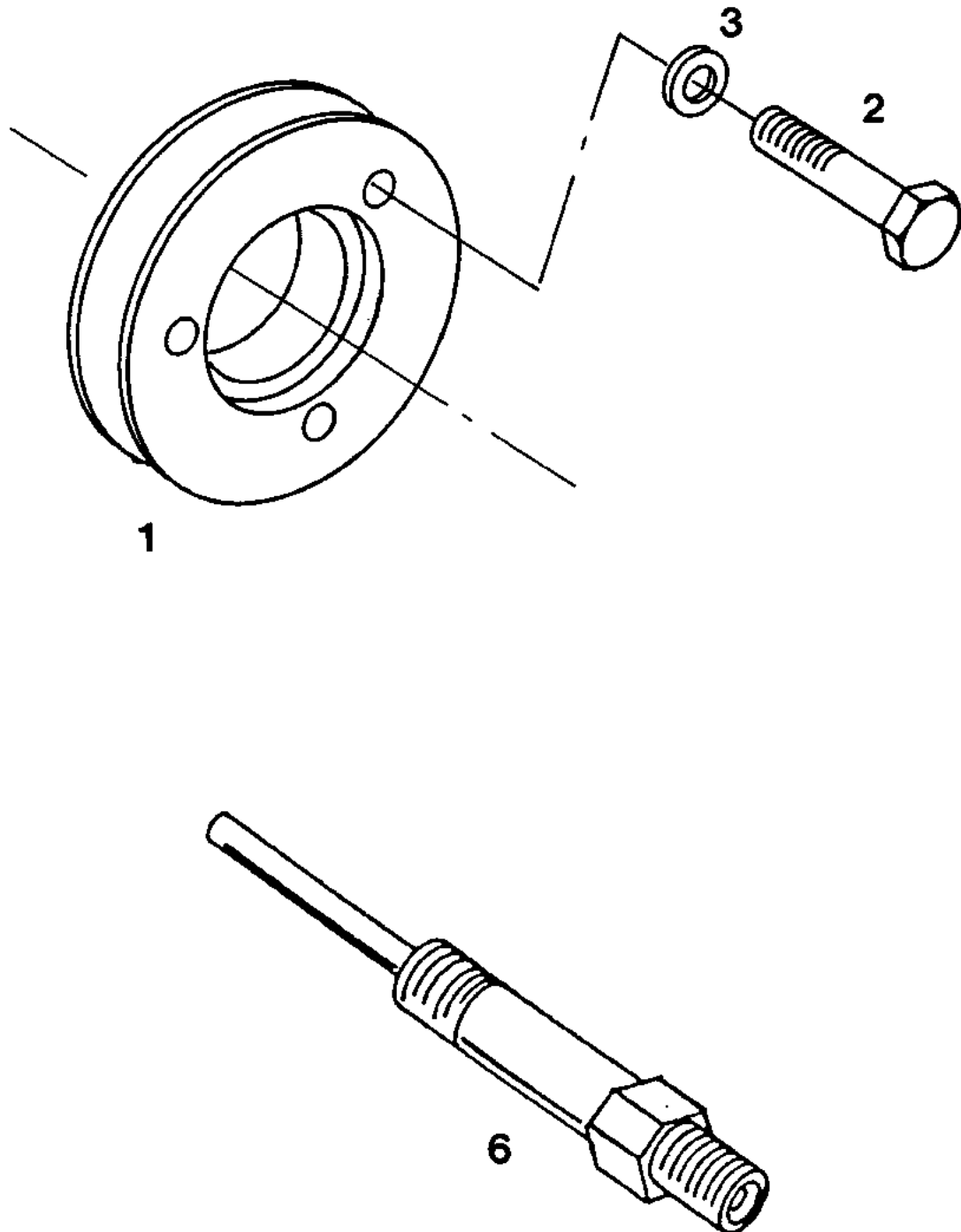
onderdelencatalogus parts catalogue



groep/ group 10	blz./ page 3	type M3.10 M4.14	omschrijving/description Extra pulley Optional pulley	datum/date 01 02 99
-----------------------	--------------------	------------------------	---	------------------------

pos.	qty	part	benaming	description
1	1	STM1035	Extra pulley SPZ	Optional pulley SPZ
2	3	STM3688	Bout M10x1,25x40	Bolt M10x1.25x40
3	3	STM4014	Veerring M10	Spring washer M10
6	1	STM1034	Adaptor ST332230	Adaptor
7	1	STM7065	Reparatieset voor 7055	Rep. set for 7055
8	1	STC1040	Chroomset M2	Chroomset M2
	1	STC1041	Chroomset M3	Chroomset M3
	1	STC1042	Chroomset M4	Chroomset M4
	1	STC1043	Chroomset M5	Chroomset M5

groep/ group	blz./ page	type	omschrijving/description	datum/date
10	3	M3.10 M4.14	Extra pulley Optional pulley	01 02 99



onderdelencatalogus
parts catalogue

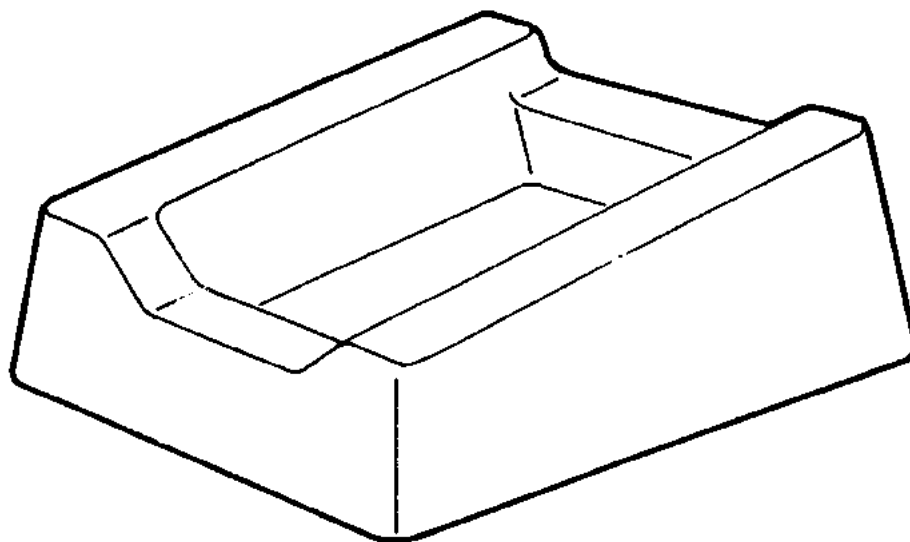


groep/ group 10	blz./ page 4	type	omschrijving/description Fundatie Engine bed	datum/date 01 10 93
-----------------------	--------------------	------	--	------------------------

pos.	qty	part	benaming	description
------	-----	------	----------	-------------

1	1	STM0026	Poly fundatie MGRP	Engine bed
---	---	---------	--------------------	------------

groep/ group	blz./ page	type	omschrijving/description	datum/date
10	4		Fundatie Engine bed	01 10 93



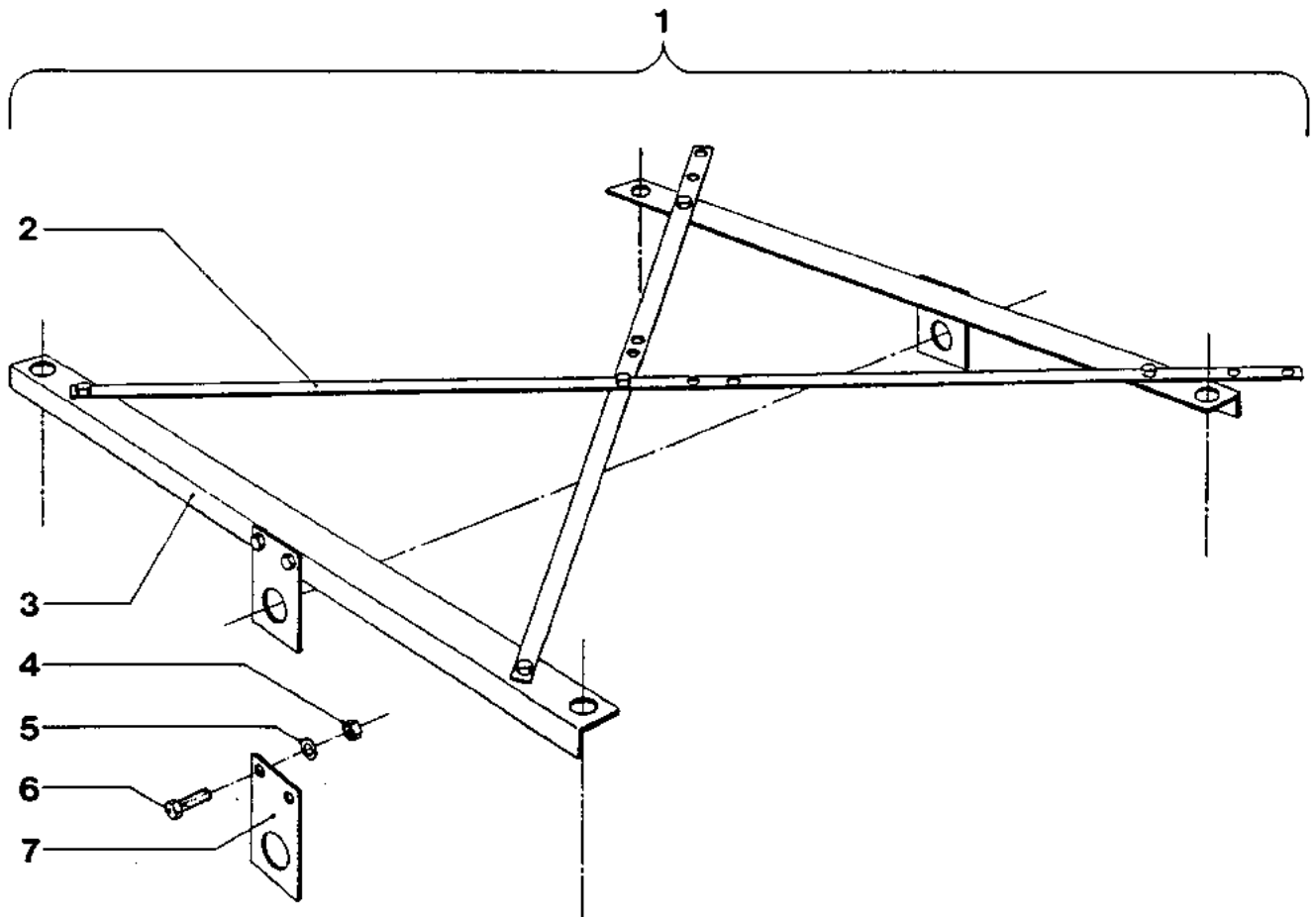
onderdelencatalogus parts catalogue



groep/ group 10	blz./ page 5	type	omschrijving/description Boormal Drilling jig	datum/date 01 10 93
-----------------------	--------------------	------	---	------------------------

pos.	qty	part	benaming	description
1	1	STM0070	Boormal compleet	Drilling jig complete
2	2	STM0072	Strip boormal	Strip drilling jig
3	2	STM0071	L30x20x3	Strip
4	9	STM3260	Moer	Nut
5	9	STM1025	Ring	Washer
6	9	STM1024	Bout	Bolt
7	2	STM0073	Strip 50x3 boormal	Strip drilling jig 50x3
	2	STM0074	Strip 50x3 boormal	Strip drilling jig 50x3
	2	STM0075	Strip 50x3 boormal	Strip drilling jig 50x3

groep/ group	blz./ page	type	omschrijving/description	datum/date
10	5		Boormal Drilling jig	01 10 93



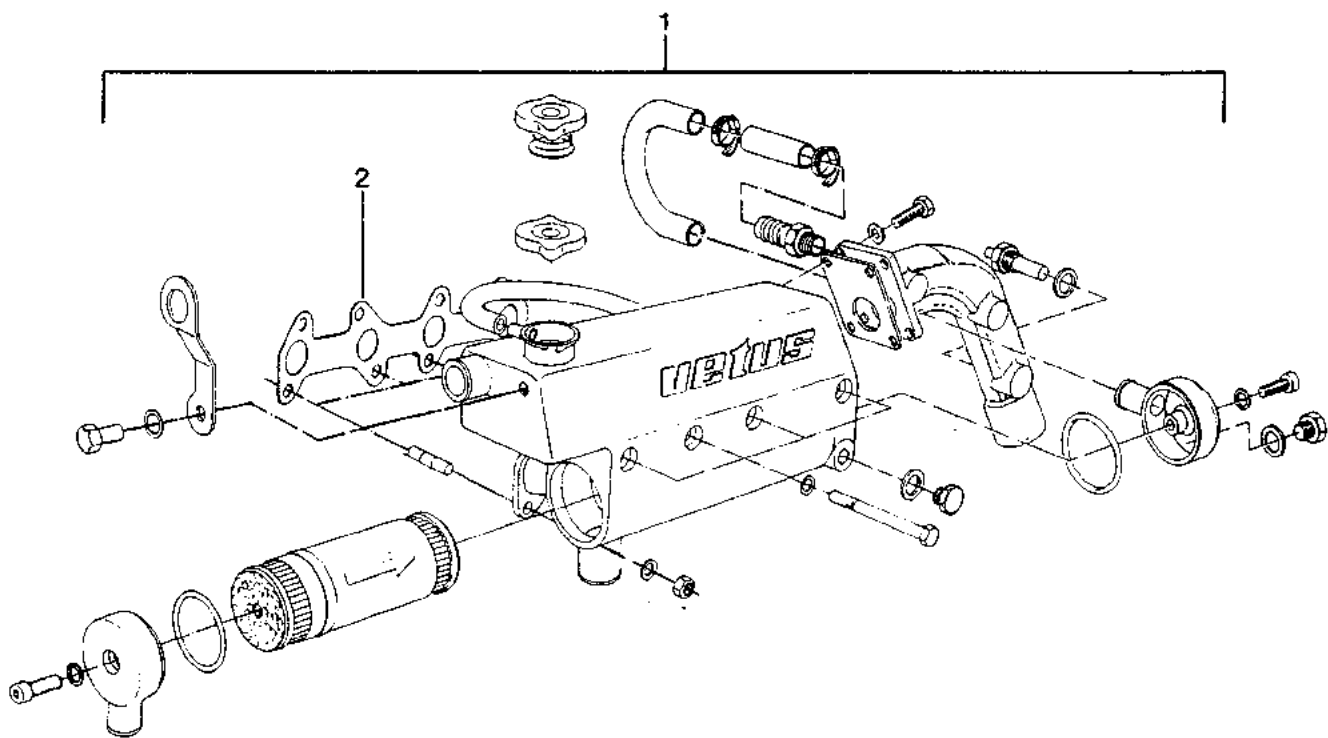
onderdelencatalogus parts catalogue



groep/ group 10	blz./ page 6	type M4	omschrijving/description Mod. KIT I Mod. KIT I	datum/date 01 10 93
-----------------------	--------------------	------------	--	------------------------

pos.	qty	part	benaming	description
1	1	STM3891	Warmtewisselaarhuis compl	Heat exchanger housing compl
2	1	STM3043	Uitlaatpakking M4	Exhaust gasket M4
	1	WLOCKLP50	Waterslot LP50	Waterlock LP50
	1	WLOCKLT50	Waterslot LT50	Waterlock LT50
	1	SPDOORV50	Spiegeldoorvoer	Trans-on exhaust connect.
	1	SLANG50	Slang 50 4 m	Hose 50 4 M
	5	SKLK50	Slangklem 50	Hose clamp 50

groep/ group	blz./ page	type	omschrijving/description	datum/date
10	6	M4	Mod. KIT I Mod. KIT I	01 10 93



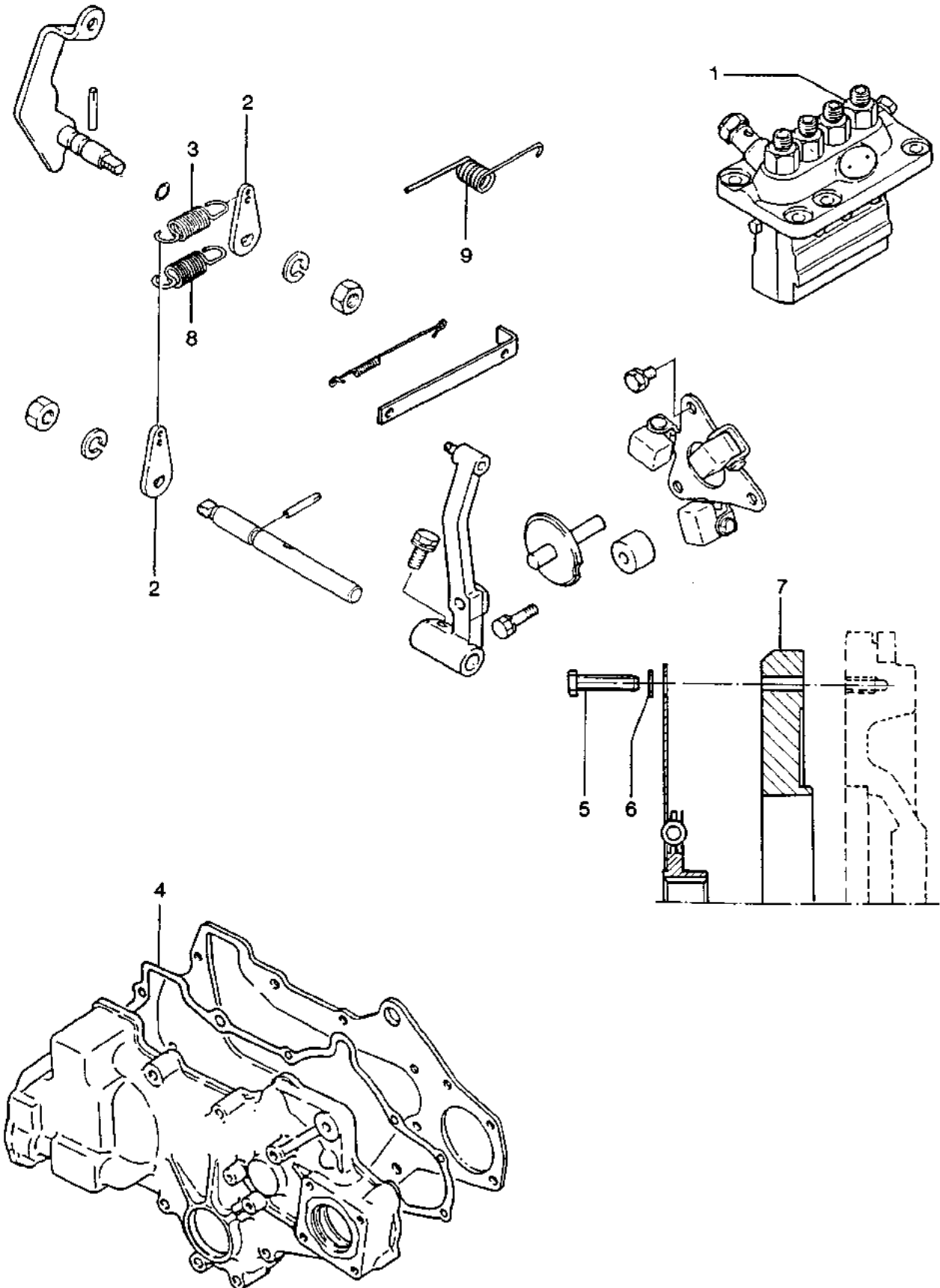
onderdelencatalogus parts catalogue



groep/ group 10	blz./ page 7	type M4	omschrijving/description Mod. KIT II Mod. KIT II	datum/date 01 10 93
-----------------------	--------------------	------------	--	------------------------

pos.	qty	part	benaming	description
1	4	STM2771	Terugslagklep MM501961	Delivery valve MM501961
2	2	STM2773	Hefarm MM433600	Lever MM433600
3	1	STM2772	Veer MM434065 (rood)	Spring MM434065 (red)
4	1	STM2521	Pakking MM408235	Gasket MM408235
5	6	STM2261	Bout M8x40	Bolt M8x40
6	6	STM1056	Veerring M8	Spring washer
7	1	STM2770	Vliegwiilverzwarend	Extra flywheel weight
8	1	STM2774	Veer MM433598	Spring MM433598
9	1	STM2775	Veer 0,6 kg MM501073	Spring 0,6 kg MM501073

groep/ group	blz./ page	type	omschrijving/description	datum/date
10	7	M4	Mod. KIT II Mod. KIT II	01 10 93



Aantekeningen

Notes

Horizontal dotted lines for writing notes.

Aantekeningen

Notes

Horizontal dotted lines for writing notes.

vetus diesel b.v.

FOKKERSTRAAT 571 - 3125 BD SCHIEDAM - HOLLAND - TEL.: +31 (10) 4377700
FAX: +31 (10) 4621286 - 4373474 - 4153249 - 4372673 - E-MAIL: DIESEL@VETUS.NL