

Marine Diesel Engines

M2.02 M2.13

M2.04

M2.06 M2.18

M2.C5 M2.D5

Parts catalogue

Deze onderdelencatalogus bevat waardevolle informatie voor onderhoud en service aan uw motor.

Wij adviseren U, bij vervanging alleen originele *VETUS* onderdelen toe te passen.

Het typeplaatje bevat informatie over de typeaanduiding, het motornummer en de serie.

Gebruik deze informatie bij bestelling van onderdelen.

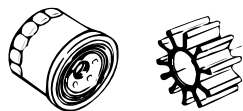
This parts'catalogue contains valuable information for maintenance and service over your engine.

For replacement, we recommend that you use only genuine *VETUS* parts.

The identification tag contains information about model, serial number and series.

Use this information when ordering parts.

1



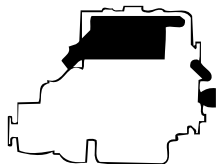
Reserve kits
Spare parts kit

2



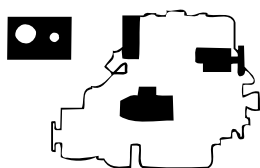
Motor
Engine

3



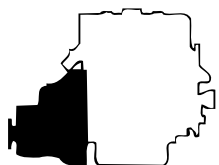
Koeling
Cooling

4



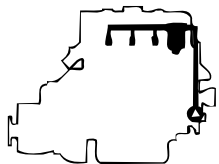
Electra, bediening en instrumenten
Electrics, controls, instruments

5



Aandrijving
Transmission

6



Brandstofsysteem
Fuel system

7

Generator
Generator

8

Gereedschappen
Tools

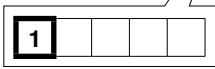
9

10

Accessoires
Optionals

ML15 MA17		Servicekit	Service kit	
pos.	qty	part	benaming	description
1	1	STM090	Brandstoffilter	Fuel filter
2	1	STM070	Injecter + pakking zeesiederpomp	Injector + gasket seawater pump
3	1	STM003	Oliefilter	Oil filter
4	1	STM095	Vibrator 50 A dynamo	Vibrat 50 A alternator
5	1	STM040	Service kit cpl. 20 A dynamo	Service kit cpl. 20 A dynamo
			Service kit cpl. 110 A dynamo	Service kit cpl. 110 A dynamo

48580-01 13 0018 Rev. 0 1-1

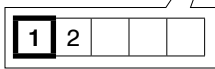


De volledige stuklijst staat op deze pagina.

The full parts list is shown on this page.

ML15 MA17		Motorblok	Engine block	
pos.	qty	part	benaming	description
1	1	STM742	Motorblok	Engine block
2	1	STM096	Motorblok	Engine block
3	3	STM743	Kap	Cap
4	3	STM744	Kap	Cap
5	10	STM745	Bus	Shaft
6	1	STM746	Bus	Shaft
7	1	STM207	Geleider	Guide
8	1	STM747	Kap	Cap
9	3	STM748	Kap	Cap
10	1	STM749	Plug	Plug
11	4	STM750	Bus	Shaft
12	2	STM210	Bus	Shaft

48580-01 13 0018 Rev. 0 2-1

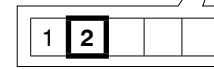


De stuklijst is verdeeld over 2 pagina's. Op deze pagina staat het **eerste** deel.

The parts list is spread over 2 pages. On this page the **first** part is shown.

ML15 MA17		Motorblok	Engine block	
pos.	qty	part	benaming	description
13	1	STM211	Bus	Shaft
14	1	STM756	Plug	Plug
15	1	STM753	Pin	Pin
16	2	STM682	Pin	Pin
17	1	STM752	As	Shaft
18	1	STM755	Kogel	Ball
19	1	STM754	As	Shaft
20	4	STM755	Afsluiting	Seal
21	1	STM758	As	Shaft
22	2	STM757	Pin	Pin
23	1	STM758	Plug	Plug
24	1	STM207	Kap	Cap

48580-01 13 0018 Rev. 0 2-2



De stuklijst is verdeeld over 2 pagina's. Op deze pagina staat het **tweede** deel.

The parts list is spread over 2 pages. On this page the **second** part is shown.

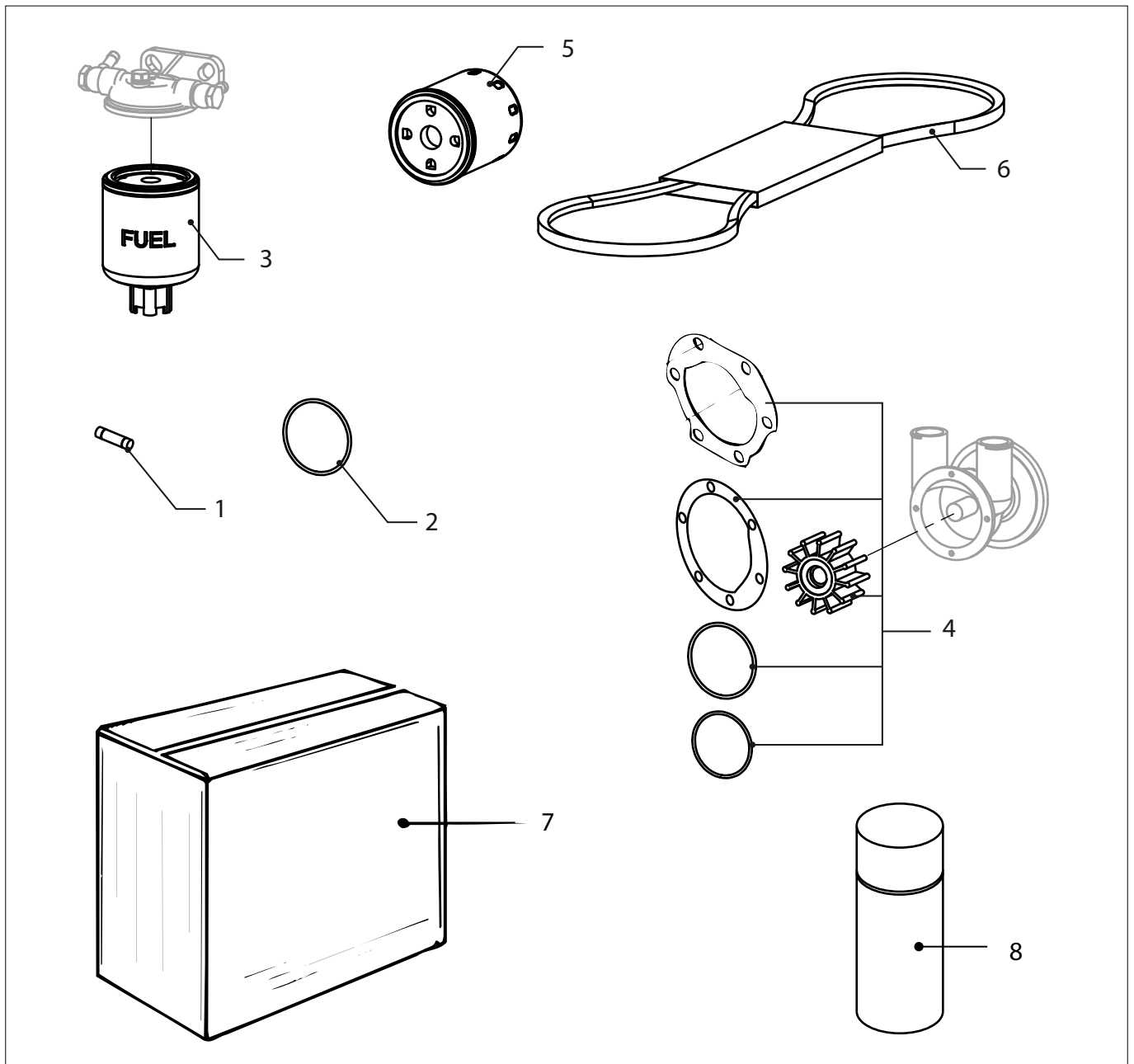
Inhoud Contents

pag. page	type				omschrijving	description
1-1	M2.02	M2.04	M2.06	M2.C5 M2.D5	Serviceonderdelen	Service parts
1-2	M2.13		M2.18		Serviceonderdelen	Service parts
2-1	M2.02 M2.13	M2.04	M2.06 M2.18	M2.C5 M2.D5	Motorsteunen	Engine supports
2-2	M2.02 M2.13	M2.04	M2.06 M2.18	M2.C5 M2.D5	Motorblok	Engine block
2-3	M2.02 M2.13	M2.04	M2.06 M2.18	M2.C5 M2.D5	Motorblok	Engine block
2-4	M2.02 M2.13	M2.04	M2.06 M2.18	M2.C5 M2.D5	Motorblok	Engine block
2-5	M2.02 M2.13	M2.04	M2.06 M2.18	M2.C5 M2.D5	Carterpan + Oliepomp	Oil sump + Oil pump
2-6	M2.02 M2.13	M2.04	M2.06 M2.18	M2.C5 M2.D5	Carterpan + Oliepomp	Oil sump + Oil pump
2-7	M2.02	M2.04	M2.06	M2.C5 M2.D5	Peilstok	Oil dipstick
2-8	M2.13		M2.18		Peilstok	Oil dipstick
2-9	M2.02 M2.13	M2.04	M2.06 M2.18	M2.C5 M2.D5	Cilinderkop	Cylinder head
2-10				M2.C5 M2.D5	Krukas	Crankshaft
2-11		M2.04			Krukas	Crankshaft
2-12	M2.02 M2.13		M2.06 M2.18		Krukas	Crankshaft
2-13	M2.02 M2.13	M2.04	M2.06 M2.18	M2.C5 M2.D5	Distributie	Time Gear
2-14	M2.02 M2.13	M2.04	M2.06 M2.18	M2.C5 M2.D5	Distributie	Time Gear
2-15	M2.02 M2.13	M2.04	M2.06 M2.18	M2.C5 M2.D5	Distributie	Time Gear
2-16	M2.02 M2.13	M2.04	M2.06 M2.18	M2.C5 M2.D5	Pakkingen	Gaskets
2-17	M2.02 M2.13	M2.04	M2.06 M2.18	M2.C5 M2.D5	Pakkingen	Gaskets
2-18	M2.02 M2.13	M2.04	M2.06 M2.18	M2.C5 M2.D5	Luchtinlaat	Air intake
2-19	M2.02	M2.04	M2.06	M2.C5 M2.D5	Luchtinlaatkast 2014 <-	Air intake Housing 2014 <-
2-20	M2.13		M2.18		Luchtfilter	Air cleaner
2-21	M2.13		M2.18		Afschermkap	Protection cover
3-1		M2.04	M2.06	M2.C5 M2.D5	Warmtewisselaar units	Heat exchanger units
3-2		M2.04	M2.06	M2.C5 M2.D5	Warmtewisselaar units	Heat exchanger units
3-3		M2.04	M2.06	M2.C5 M2.D5	Warmtewisselaar units	Heat exchanger units
3-4	M2.02 M2.13	M2.04	M2.06 M2.18	M2.C5 M2.D5	Warmtewisselaar units	Heat exchanger units

pag. page	type				omschrijving	description
3-5	M2.02 M2.13	M2.04	M2.06 M2.18	M2.C5 M2.D5	Warmtewisselaar units	Heat exchanger units
3-6	M2.02 M2.13	M2.04	M2.06 M2.18	M2.C5 M2.D5	Warmtewisselaar units	Heat exchanger units
3-7	M2.02	M2.04	M2.06 M2.D5	M2.C5	Kielkoelspruitstuk	Keelcooler manifold
3-8	M2.02	M2.04	M2.06 M2.D5	M2.C5	Kielkoelspruitstuk	Keelcooler manifold
3-9	M2.02	M2.04	M2.06 M2.D5	M2.C5	Kielkoelspruitstuk	Keelcooler manifold
3-10	M2.02 M2.13	M2.04	M2.06 M2.18	M2.C5 M2.D5	Kielkoelspruitstuk	Keelcooler manifold
3-11	M2.02 M2.13	M2.04	M2.06 M2.18	M2.C5 M2.D5	Kielkoelspruitstuk	Keelcooler manifold
3-12	M2.02 M2.13	M2.04	M2.06 M2.18	M2.C5 M2.D5	Kielkoelspruitstuk	Keelcooler manifold
3-13	M2.02	M2.04	M2.06 M2.D5	M2.C5	Slangen	Hoses
3-14	M2.13		M2.18		Bovenkap	Upper cover
3-15		M2.04	M2.06 M2.D5	M2.C5	Zeewaterpomp	Seawater pump
3-16	M2.02 M2.13		M2.06 M2.18	M2.C5 M2.D5	Zeewaterpomp	Seawater pump
3-17	M2.02 M2.13	M2.04	M2.06 M2.18	M2.C5 M2.D5	Circulatiepomp	Circulation pump
3-18	M2.02	M2.04	M2.06 M2.D5	M2.C5	Pompen	Pumps
3-19	M2.02	M2.04	M2.06 M2.D5	M2.C5	Pompen	Pumps
3-20	M2.13		M2.18		Pompen	Pumps
4-1		M2.04	M2.06 M2.D5	M2.C5	Bedradingskast, 2001 <-	Terminal box, 2001 <-
4-2		M2.04	M2.06 M2.D5	M2.C5	Bedradingskast, 2001 <-	Terminal box, 2001 <-
4-3		M2.04	M2.06 M2.D5	M2.C5	Bedradingskast, 2001 <-	Terminal box, 2001 <-
4-4	M2.02	M2.04	M2.06 M2.D5	M2.C5	Bedradingskast, 2001 -> - 2014 <-	Terminal box, 2001 -> - 2014 <-
4-5	M2.13		M2.18		Motorbedrading 2014 ->	Engine wiring 2014 ->
4-6	M2.02 M2.13	M2.04	M2.06 M2.18	M2.C5 M2.D5	Kabels en hoofdschakelaar, 2001 ->	Cables and main switch, 2001 ->
4-7		M2.04	M2.06 M2.D5	M2.C5	Instrumenten paneel '20' standaard 2001 <-	Instrument panel '20' standard 2001 <-
4-8		M2.04	M2.06 M2.D5	M2.C5	Instrumenten paneel '22' standaard 2001 <-	Instrument panel '22' standard 2001 <-
4-9	M2.02	M2.04	M2.06 M2.D5	M2.C5	Instrumenten paneel '22' standaard 2001 <->	Instrument panel '22' standard 2001 <->
4-10		M2.04	M2.06 M2.D5	M2.C5	Instrumenten paneel MP10, 2001 <-	Instrument panel MP10, 2001 <-
4-11	M2.02 M2.13	M2.04	M2.06 M2.18	M2.C5 M2.D5	Instrumenten paneel MP10, 2001 ->	Instrument panel MP10, 2001 ->
4-12		M2.04	M2.06 M2.D5	M2.C5	Instrumenten paneel MP00, 2001 <-	Instrument panel MP00, 2001 <-
4-13	M2.02 M2.13	M2.04	M2.06 M2.18	M2.C5 M2.D5	Startmotor	Starter motor

pag. page	type				omschrijving	description
4-14	M2.02	M2.04	M2.06	M2.C5 M2.D5	Dynamo 40 A	Alternator 40 A
4-15	M2.02	M2.04	M2.06	M2.C5 M2.D5	Dynamo 12 V - 75 A 1p	Alternator 12 V - 75 A Earth return
4-16	M2.02 M2.13	M2.04	M2.06 M2.18	M2.C5 M2.D5	Dynamo 12 V - 75 A 1p	Alternator 12 V - 75 A Earth return
4-17	M2.02 M2.13	M2.04	M2.06 M2.18	M2.C5 M2.D5	Zenders + schakelaars	Sender units + switches
4-18	M2.02	M2.04	M2.06	M2.C5 M2.D5	Bediening, Gas	Control, Throttle
4-19	M2.13		M2.18		Bediening, Gas	Control, Throttle
4-20	M2.02 M2.13	M2.04	M2.06 M2.18	M2.C5 M2.D5	Bediening, keerkoppeling	Controls, gearbox
5-1		M2.04	M2.06	M2.C5 M2.D5	Vliegwielhuis Hurth	Flywheel housing Hurth
5-2		M2.04	M2.06	M2.C5 M2.D5	Vliegwielhuis Hurth	Flywheel housing Hurth
5-3		M2.04	M2.06	M2.C5 M2.D5	Vliegwielhuis PRM	Flywheel housing PRM
5-4		M2.04	M2.06	M2.C5 M2.D5	Vliegwielhuis PRM	Flywheel housing PRM
5-5	M2.02 M2.13	M2.04	M2.06 M2.18	M2.C5 M2.D5	Vliegwielhuis TMC / ZF10M / ZF12M / PRM150D	Flywheel housing TMC / ZF10M ZF12M / PRM150D
5-6	M2.02 M2.13	M2.04	M2.06 M2.18	M2.C5 M2.D5	Vliegwielhuis TMC60 (A)	Flywheel housing TMC60 (A)
6-1	M2.02	M2.04	M2.06	M2.C5 M2.D5	Brandstoffilter 2014 <-	Fuel filter 2014 <-
6-2	M2.02	M2.04	M2.06	M2.C5 M2.D5	Brandstoffilter 2014 <-	Fuel filter 2014 <-
6-3	M2.13		M2.18		Brandstoffilter, standaard 2014 ->	Fuel filter, standard 2014 ->
6-4	M2.13		M2.18		Brandstoffilter, standaard 2014 ->	Fuel filter, standard 2014 ->
6-5	M2.02 M2.13	M2.04	M2.06 M2.18	M2.C5 M2.D5	Brandstofsysteem	Fuel system
6-6	M2.02 M2.13	M2.04	M2.06 M2.18	M2.C5 M2.D5	Brandstofpomp	Fuel pump
6-7	M2.02 M2.13	M2.04	M2.06 M2.18	M2.C5 M2.D5	Brandstofpomp	Fuel pump
6-8	M2.02 M2.13	M2.04	M2.06 M2.18	M2.C5 M2.D5	Regulateur	Regulator
6-9	M2.02 M2.13	M2.04	M2.06 M2.18	M2.C5 M2.D5	Regulateur	Regulator
6-10	M2.02 M2.13	M2.04	M2.06 M2.18	M2.C5 M2.D5	Regulateur	Regulator
6-11	M2.02 M2.13	M2.04	M2.06 M2.18	M2.C5 M2.D5	Verstuiverhouder	Nozzle holder
10-1		M2.04	M2.06		Saildrive Lombardini	Saildrive Lombardini
10-2		M2.04	M2.06		Saildrive Lombardini	Saildrive Lombardini
10-3	M2.02 M2.13	M2.04	M2.06 M2.18	M2.C5 M2.D5	Verloopset saildrive 110S	Adaptor kit saildrive 110S
10-4	M2.02 M2.13	M2.04	M2.06 M2.18	M2.C5 M2.D5	Verloopset saildrive 120S	Adaptor kit saildrive 120S
10-5	M2.02 M2.13	M2.04	M2.06 M2.18	M2.C5 M2.D5	Verloopset saildrive 120SB	Adaptor kit saildrive 120SB

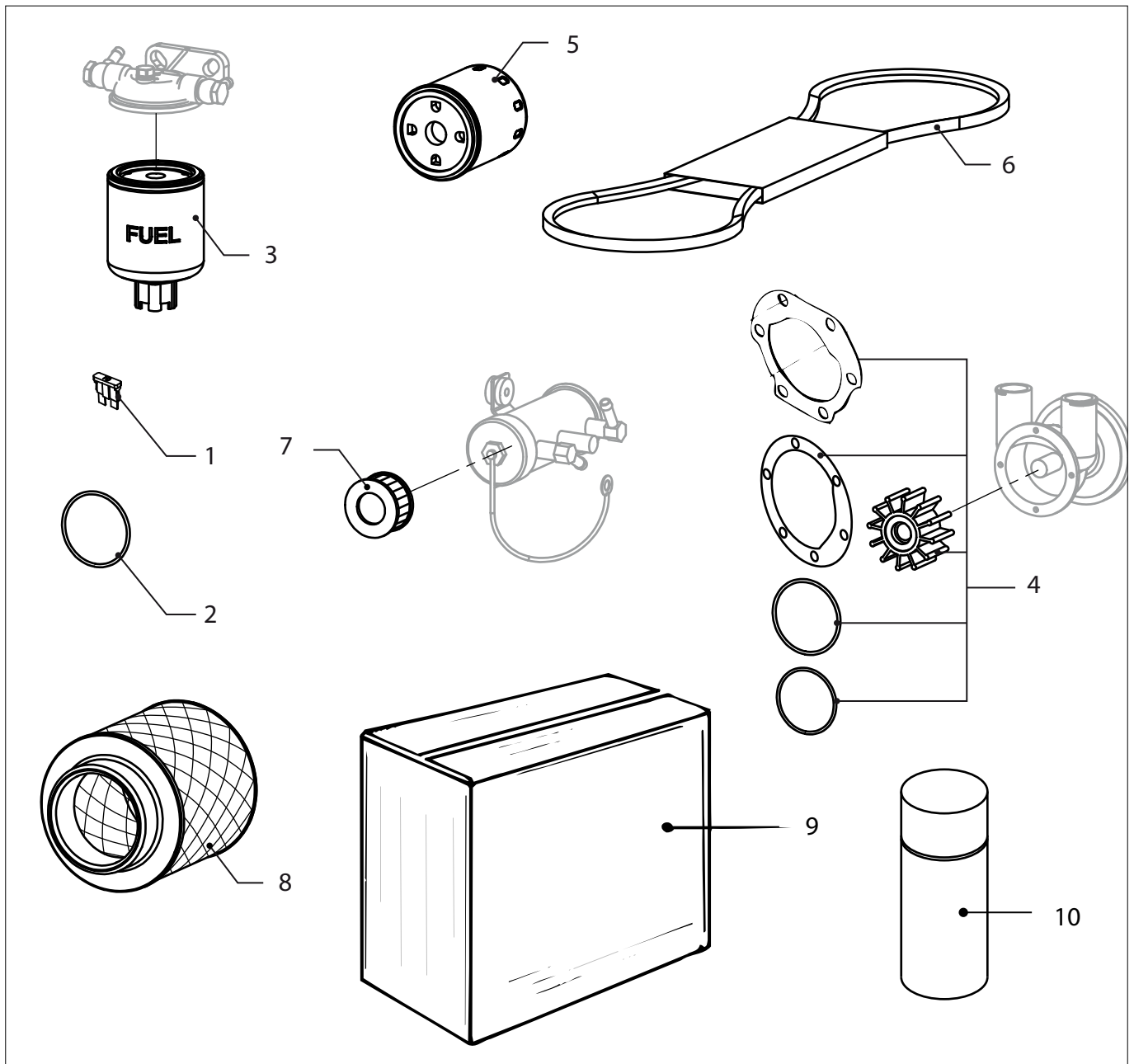
pag. page	type	omschrijving	description
10-6	M2.02 M2.04 M2.06 M2.C5 M2.D5	Boileraansluiting I	Calorifier connection I
10-7	M2.02 M2.04 M2.06 M2.C5 M2.13 M2.18 M2.D5	Boileraansluiting II, interkoeling	Calorifier connection II, intercooling
10-8	M2.02 M2.04 M2.06 M2.C5 M2.13 M2.18 M2.D5	Boileraansluiting II Kielkoeling	Calorifier connection II Keelcooling
10-9	M2.02 M2.04 M2.06 M2.C5 M2.D5	Separaat gemonteerd oliefilter	Oil filter separately installed
		Register	Index



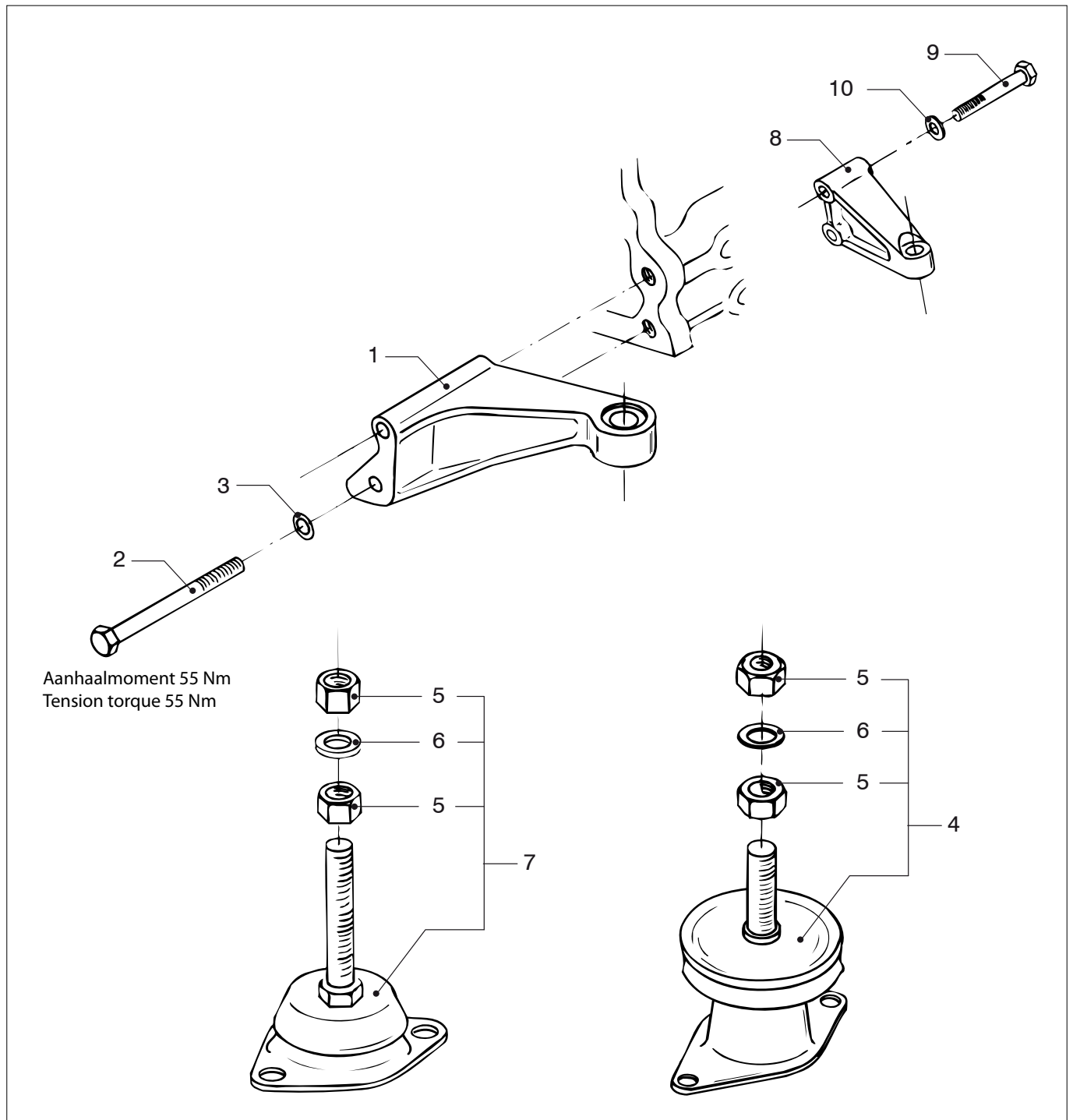
M2.02 M2.04 M2.06 M2.C5 Serviceonderdelen
M2.D5

Service parts

pos.	qty	part	benaming	description
1	5	STM9185	Glaszekering 10A T ø6,3x32	Glass fuse 10A slow ø6,3x32
2	2	STM6113	O-ring Warmtewisselaar 61x2,5	O-ring Heat exchanger 61x2.5
3	1	STM3690	Brandstoffilter	Fuel filter
4	1	STM8076	Impeller + pakkingen	Impeller + gaskets
5	1	STM0051	Oliefilter	Oil filter
6	1	STM7439	V-snaar l=925 (75A dyn)	V-belt l=925 (75A alt)
7	1	08-01375	Service kit pos 1 t.e.m. 6	Service kit pos 1 up to 6
8	1	STM0052	Spuitbus verf	Spray can paint



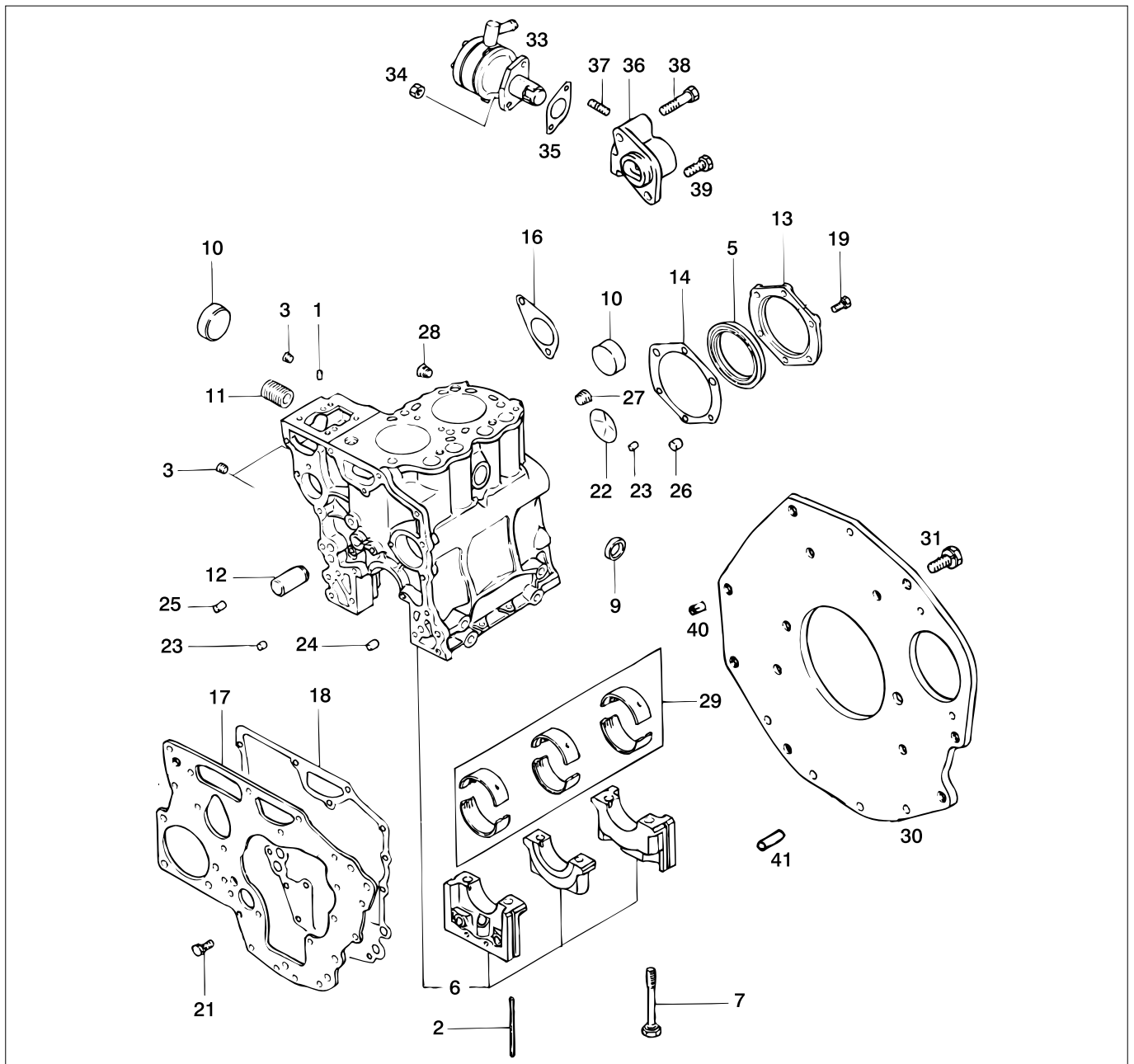
M2.13		M2.18		Serviceonderdelen	Service parts
pos.	qty	part	benaming	description	
1	5	STM4614	Steekzekering ATO 10A	ATO fuse 10A	
2	2	STM6113	O-ring Warmtewisselaar 61x2,5	O-ring Heat exchanger 61x2.5	
3	1	STM3690	Brandstoffilter	Fuel filter	
4	1	STM8076	Impeller + pakkingen	Impeller + gaskets	
5	1	STM0051	Oliefilter	Oil filter	
6	1	STM7439	V-snaar l=925 (75A dyn)	V-belt l=925 (75A alt)	
7	1	STM4050	Brandstoffilter opvoerpomp	Fuel filter fuel lift pump	
8	1	08-01308	Luchtfilterelement	Air cleaner element	
9	1	08-01376	Service kit pos 1 t.e.m. 8	Service kit pos 1 up to 8	
10	1	STM0052	Spuitbus verf	Spray can paint	



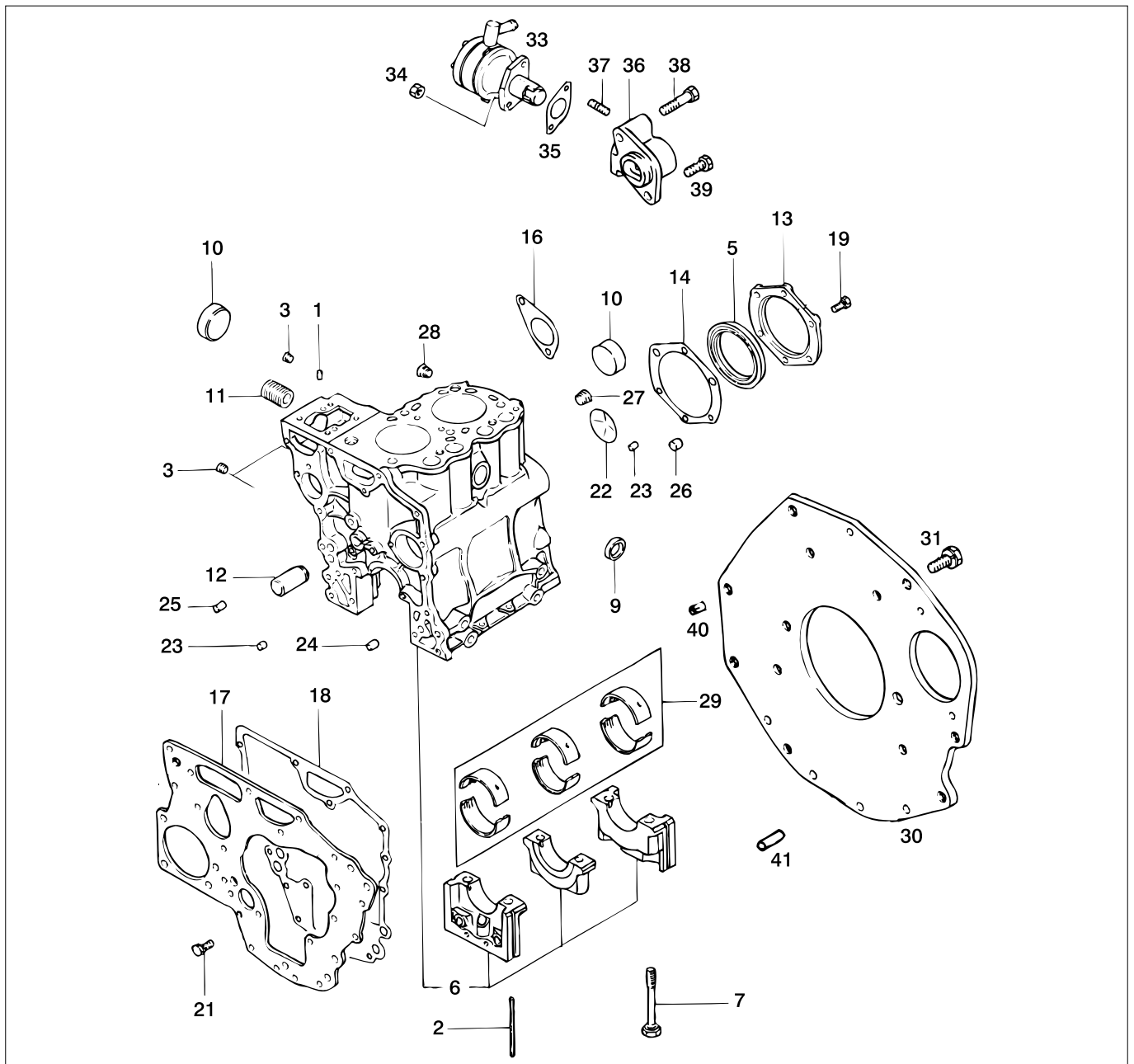
M2.02 M2.04 M2.06 M2.C5 **Motorsteunen**
M2.13 M2.18 M2.D5

Engine supports

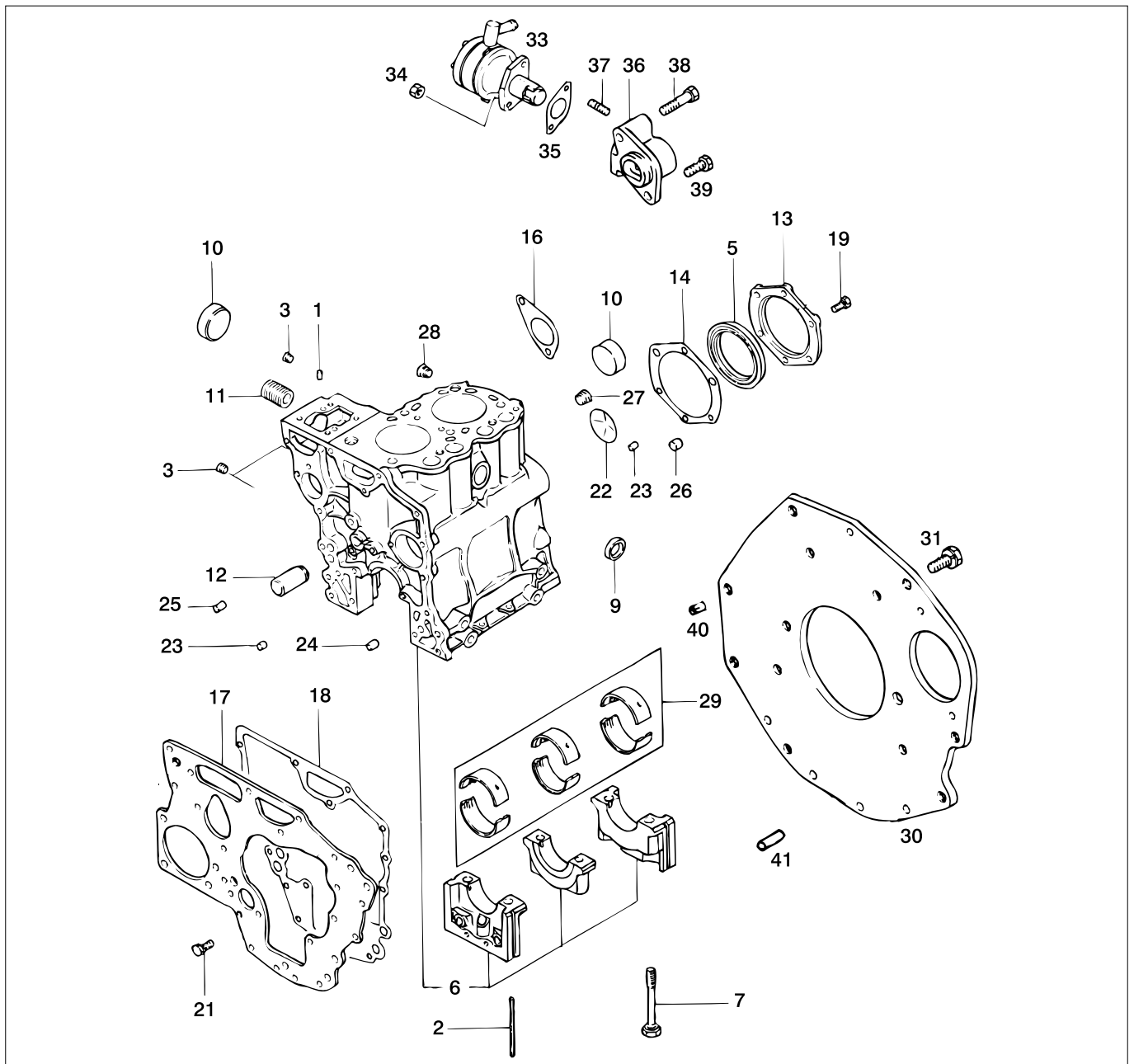
pos.	qty	part	benaming	description
1	2	STM6101	Motorsteun BB-SB	Engine support PS-SB
2	4	STM6102	Bout M10x1,25x90	Bolt M10x1.25x90
3	4	STM2022	Ring	Washer
4	2	MITSTEUN	Hydrodemper	Hydro mount
5	4	STM4010	Moer M16x1,5	Nut M16x1.5
6	2	STM4011	Ring	Washer
7	2	STM1073	Demper KSTEUN25V	Engine Mount KSTEUN25V
8	2	STM7584	Motorsteun SB-BB	Enging support SB-PS
9	4	STM7595	Bout M12x1,75x65	Bolt M12x1.75x65
10	4	STM4056	Gegolfde veerring M12	Wave spring washer M12



pos.	qty	part	benaming	description
1	2	STM1100	Pen	Pin
2	4	STM1101	Dichting	Seal
3	3	STM1102	Plug	Plug
5	1	STM1104	Keerring	Oil seal
6	1	STM1406	Motorblok M2.06/M2.13/M2.18	Block Sub Assembly M2.06/M2.13/M2.18
	1	STM1407	Motorblok M2.04	Block Sub Assembly M2.04
	1	STM1093	Motorblok M2.C5/M2.D5	Block Sub Assembly M2.C5/M2.D5
7	1	STM1106	Bout	Bolt
9	2	STM1108	Plug	Cap
10	1	STM1109	Plug	Plug
11	1	STM3546	As	Shaft
12	1	STM1111	As	Shaft
13	1	STM1112	Huis	Case
14	1	STM1113	Pakking	Gasket
16	1	STM1114	Pakking	Gasket
17	1	STM1115	Plaat	Plate



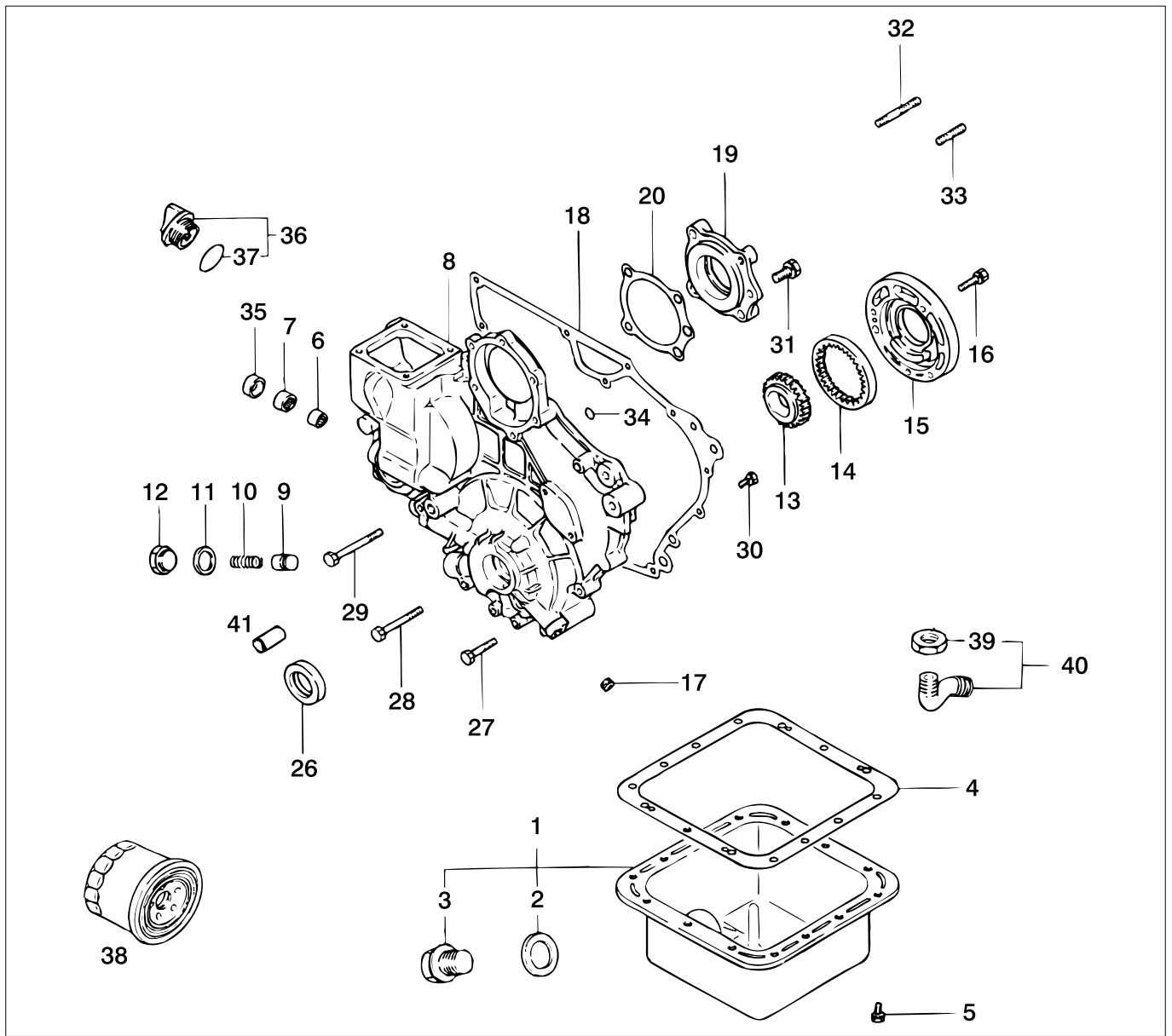
pos.	qty	part	benaming	description
18	1	STM1116	Pakking	Gasket
19	6	STM1117	Bout	Bolt
21	7	STM1118	Bout	Bolt
22	1	STM1119	Plug	Plug
23	2	STM1120	Bus	Bushing
24	1	STM1121	Bus	Bushing
25	2	STM2510	Bus	Bushing
26	3	STM1122	Bus	Bushing
27	1	STM1123	Plug	Plug
28	1	STM2513	Plug	Plug
29	1	STM1394	Lagerset std	Bearing set std
	1	STM1395	Lagerset 0,25 OS	Bearing set 0.25 OS
	1	STM1396	Lagerset 0,50 OS	Bearing set 0.50 OS
30	1	STM1125	Achterplaat	Rear plate
31	6	STM3549	Bout	Bolt
33	1	STM1127	Brandstofopvoer pomp	Fuel pump



M2.02 M2.04 M2.06 M2.C5 **Motorblok**
M2.13 M2.18 M2.D5

Engine block

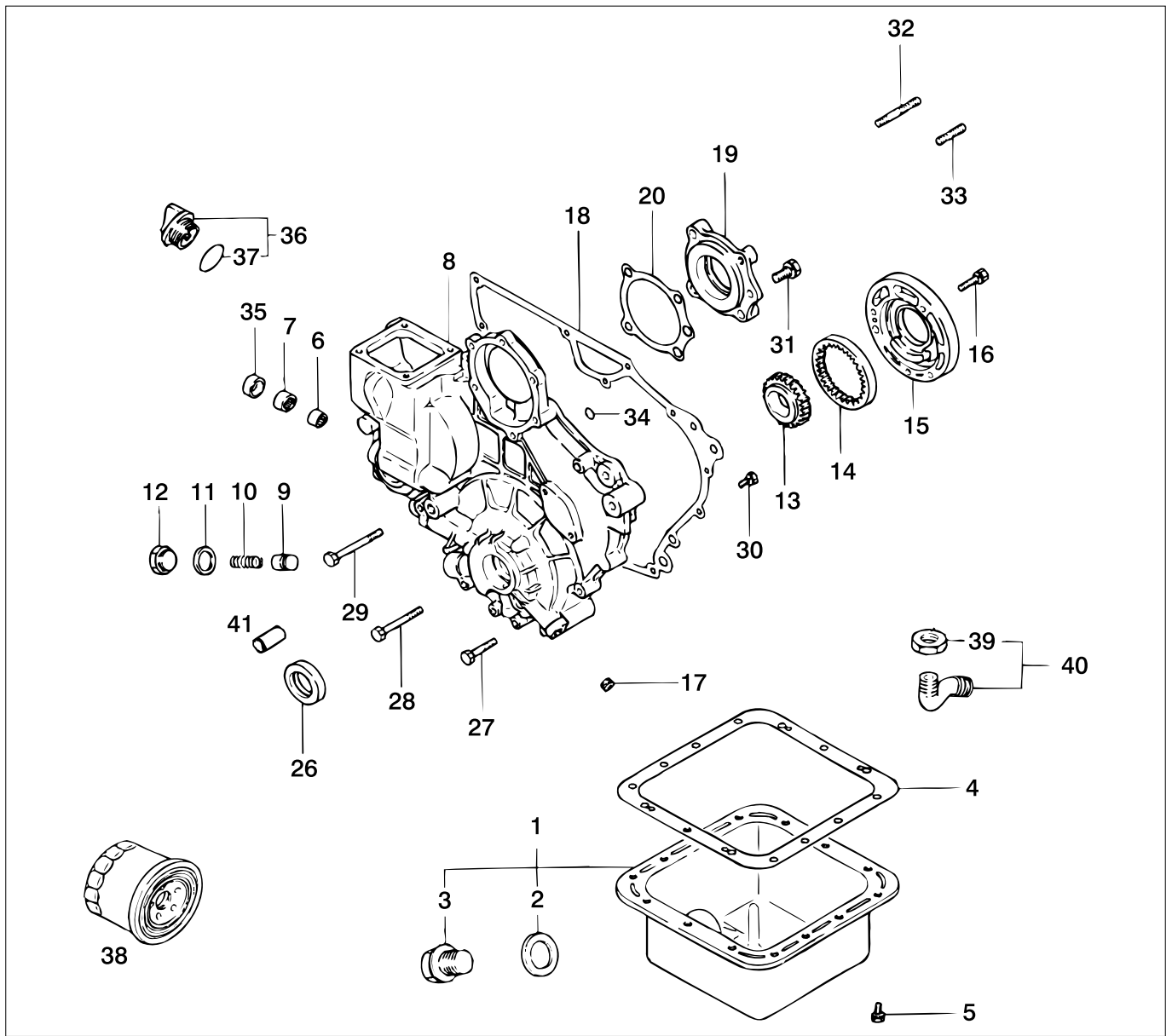
pos.	qty	part	benaming	description
34	2	STM3260	Moer	Nut
35	1	STM1128	Pakking	Gasket
36	1	STM1129	Adaptor	Adaptor
37	2	STM3566	Tapeind	Stud
38	1	STM2258	Bout	Bolt
39	1	STM3355	Bout	Bolt
40	1	STM6279	Pen 8x18 DIN6325	Pin 8x18 DIN6325
41	1	STM2507	Pen 8x10 DIN6325	Pin 8x10 DIN6325



M2.02 M2.04 M2.06 M2.C5 Carterpan + Oliepomp
M2.13 M2.18 M2.D5

Oil sump + Oil pump

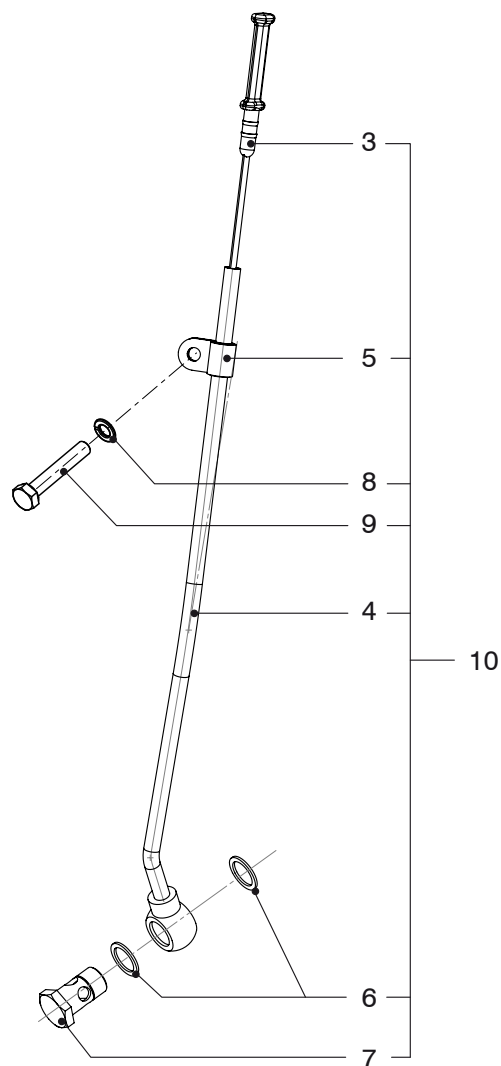
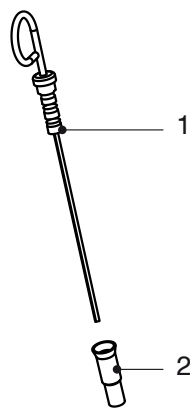
pos.	qty	part	benaming	description
1-3	1	STM1132	Carterpan compleet	Pan Assy
2	1	STM1133	Pakking	Gasket
3	1	STM1134	Plug	Plug
4	1	STM1135	Pakking	Gasket
5	14	STM3555	Bout	Bolt
6	1	STM1136	Lager	Bearing
7	1	STM1137	Lager	Bearing
8	1	STM1138	Huis	Case
9	1	STM1139	Klep	Plunger
10	1	STM1140	Veer	Spring
11	1	STM1141	Pakking	Gasket
12	1	STM1142	Plug	Plug
13	1	STM1143	Tandwiel	Gear
14	1	STM1144	Tandwiel	Gear
15	1	STM1145	Huis	Housing
16	3	STM2260	Bout	Bolt
17	2	STM1146	Plug	Plug
18	1	STM1147	Pakking	Gasket



M2.02 M2.04 M2.06 M2.C5 Carterpan + Oliepomp
M2.13 M2.18 M2.D5

Oil sump + Oil pump

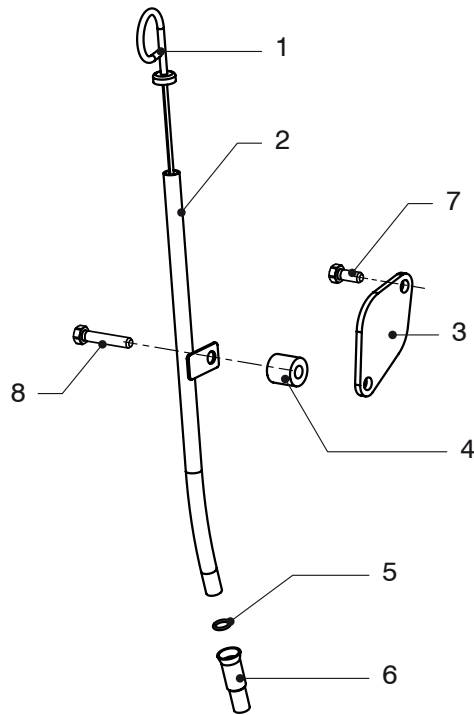
pos.	qty	part	benaming	description
19	1	STM1148	Huis	Housing
20	1	STM1149	Pakking	Gasket
26	1	STM1150	Keerring	Oil seal
27	3	STM6155	Bout	Bolt
28	4	STM3562	Bout	Bolt
29	1	STM1151	Bout	Bolt
30	4	STM1652	Bout	Bolt
31	1	STM1610	Bout	Bolt
32	3	STM1153	Tapeind	Stud
33	1	STM1154	Tapeind	Stud
34	2	STM1155	O-ring	O-ring
35	1	STM1156	Plug	Cap
36	1	STM3565	Vuldop + O-ring	Cap Assy + O-ring
37	1	STM3566	O-ring	O-ring
38	1	STM0051	Oliefilter	Oil filter
39	1	STM1157	Moer	Nut
40	1	STM1158	Aanzuigpijp	Screen Assy
41	1	STM1410	Plug	Plug



M2.02 M2.04 M2.06 M2.C5 M2.D5 **Peilstok**

Oil dipstick

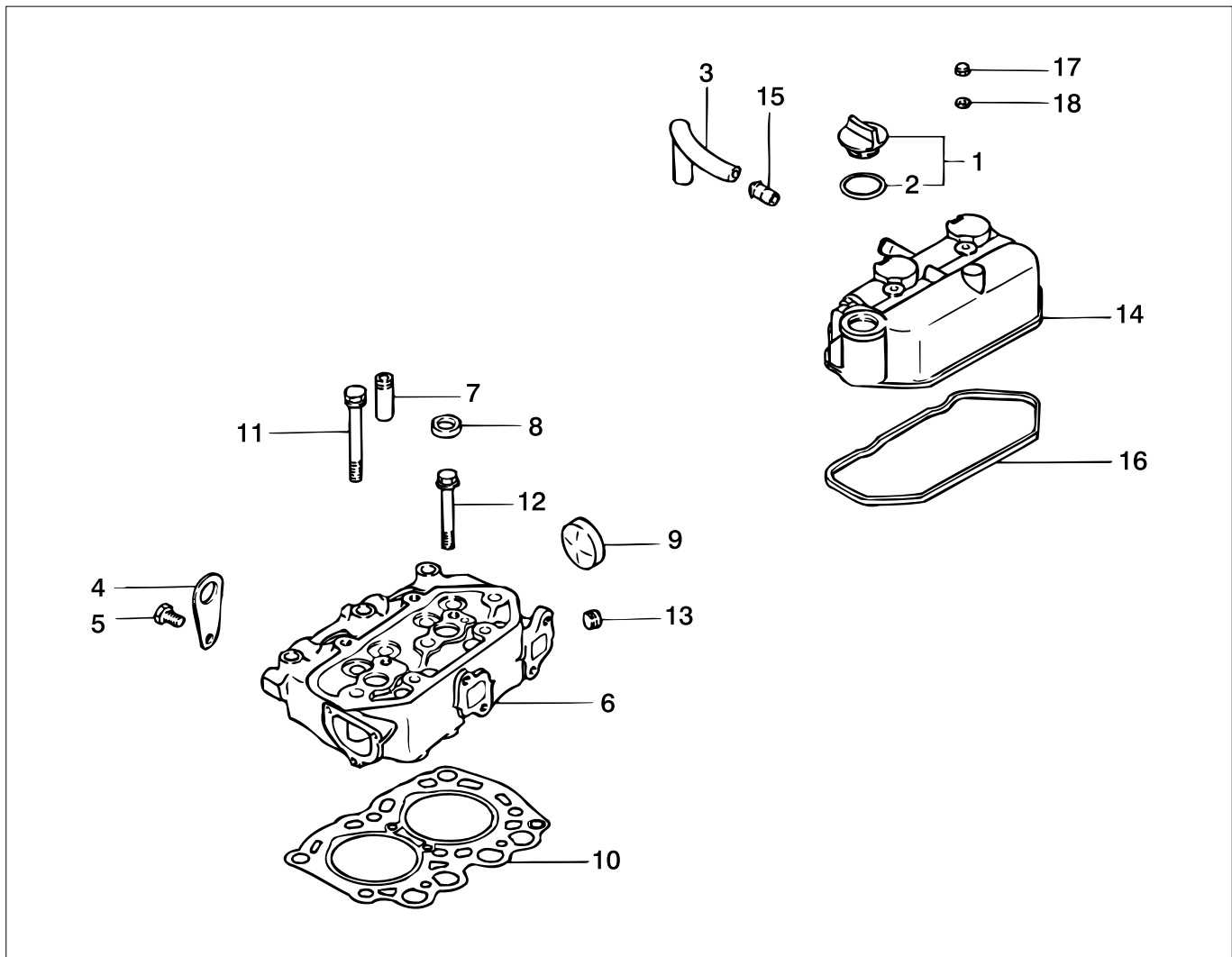
pos.	qty	part	benaming	description
1	1	STM1126	Peilstok	Gauge
2	1	STM1103	Geleider	Guide
3	1	STM6301	Olie peilstok	Oil dipstick
4	1	STM6300	Pijp	Tube
5	1	STM6305	Klem	Clamp
6	2	STM3353	Afdichtring M18	Seal washer M18
7	1	STM8168	Banjobout M18x1,5	Banjo bolt M18x1.5
8	1	STM1056	Veerring M8	Spring washer M8
9	1	STM2258	Bout M8x45	Bolt M8x45
10	1	STM6306	Set verlengde peilstok	Set extended dipstick



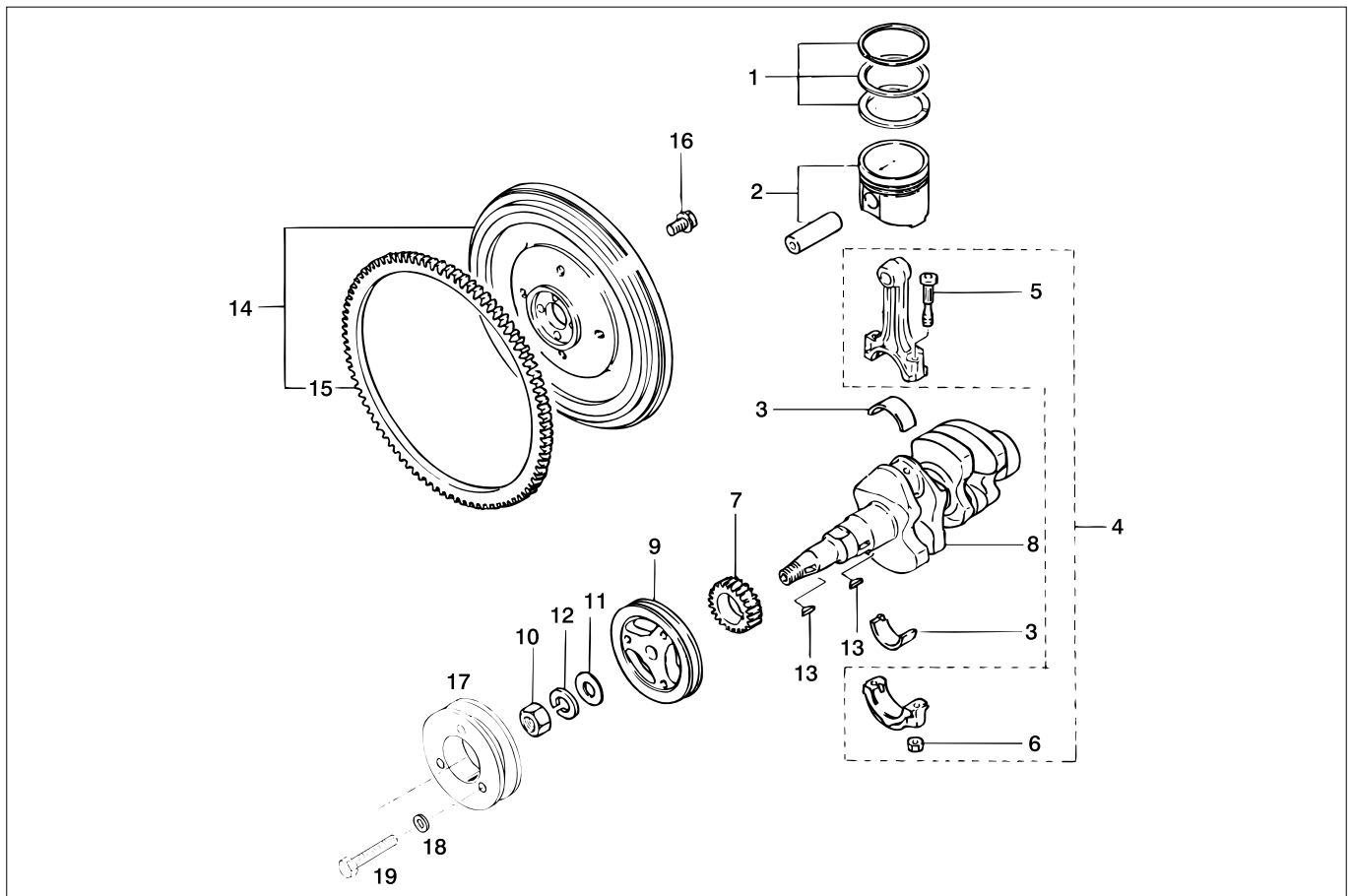
Peilstok

Oil dipstick

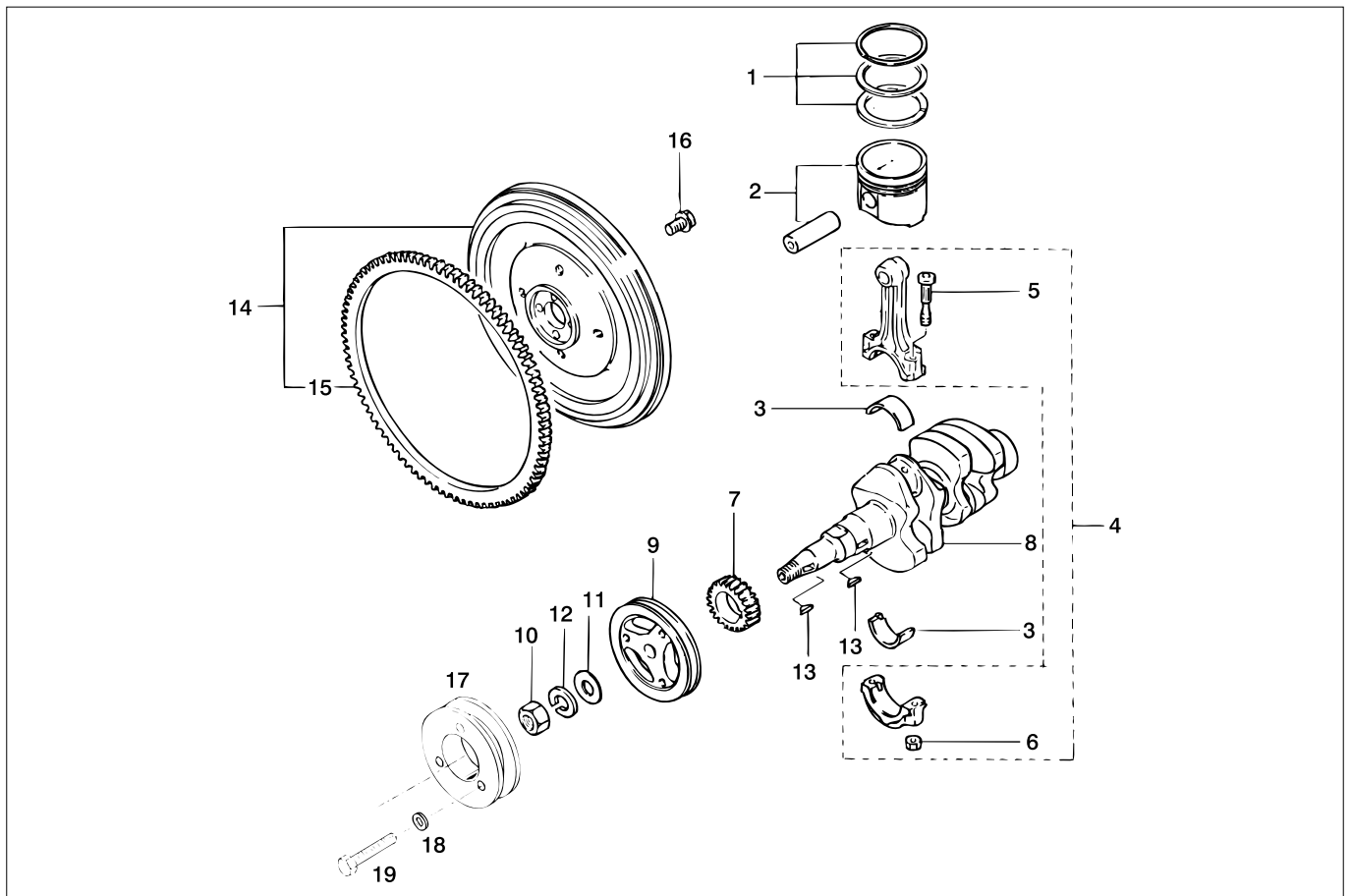
M2.13		M2.18			
pos.	qty	part	benaming		description
1	1	08-01369	Peilstok		Oil dipstick
2	1	08-01371	Pijp		Tube
3	1	08-01376	Deksel		Cover
4	1	08-01372	Bus		Bushing
5	1	08-01373	O-ring		O-ring
6	1	08-01377	Geleider		Guide
7	1	STM4045	Bout M8 x 15		Bolt M8 x 15
8	1	08-01375	Bout M8 x 35		Bolt M8 x 35



		M2.02 M2.13	M2.04 M2.18	M2.06 M2.18	M2.C5 M2.D5	Cilinderkop	Cylinder head
pos.	qty	part		benaming		description	
1	1	STM3565		Vuldop + O-ring		Cap Assy + O-ring	
2	1	STM3566		O-ring		O-ring	
3	1	STM1159		Slang		Hose	
4	1	STM6254		Hijsoog		Hanger	
5	1	STM1160		Bout		Bolt	
6-9	1	STM1408		Cilinderkop M2.06/M2.13/M2.18		Head Assy M2.06/M2.13/M2.18	
	1	STM1411		Cilinderkop M2.04		Head Assy M2.04	
	1	STM1094		Cilinderkop M2.C5/M2.D5		Head Assy M2.C5/M2.D5	
7	4	STM1162		Geleider		Guide	
8	1	STM1163		Kap		Cap sealing	
9	1	STM1164		Plug		Plug	
10	1	STM1409		Pakking M2.06/M2.13/M2.18		Gasket M2.06/M2.13/M2.18	
	1	STM1412		Pakking M2.04		Gasket M2.04	
	1	STM1095		Pakking M2.C5/M2.D5		Gasket M2.C5/M2.D5	
11	6	STM1166		Bout		Bolt	
12	2	STM1167		Bout		Bolt	
13	1	STM1168		Plug		Plug	
14	1	STM1169		Deksel + pijp		Cover Assy + pijp	
15	1	STM1170		Pijp		Pipe	
16	1	STM1171		Pakking		Gasket	
17	2	STM1172		Moer		Nut	
18	2	STM1173		Ring		Washer	



M2.C5 M2.D5			Krukas	Crankshaft
pos.	qty	part	benaming	description
1	2	STM1087	Ringenset std M2.C5/M2.D5	Ring set std M2.C5/M2.D5
		STM1088	Ringenset 0,25 OS M2.C5/M2.D5	Ring set 0.25 OS M2.C5/M2.D5
		STM1089	Ringenset 0,50 OS M2.C5/M2.D5	Ring set 0.50 OS M2.C5/M2.D5
2	2	STM1090	Zuiger std M2.C5/M2.D5	Piston std M2.C5/M2.D5
		STM1091	Zuiger 0,25 OS M2.C5/M2.D5	Piston 0.25 OS M2.C5/M2.D5
		STM1092	Zuiger 0,50 OS M2.C5/M2.D5	Piston 0.50 OS M2.C5/M2.D5
3	2	STM1421	Lagerset std M2.C5/M2.D5	Bearing set std M2.C5/M2.D5
		STM1422	Lagerset 0,25 OS M2.C5/M2.D5	Bearing set 0.25 OS M2.C5/M2.D5
		STM1423	Lagerset 0,50 OS M2.C5/M2.D5	Bearing set 0.50 OS M2.C5/M2.D5
4	2	STM1097	Drijfstang cpl M2.C5/M2.D5	Rod cpl M2.C5/M2.D5
5	4	STM1177	Bout	Bolt
6	4	STM3586	Moer	Nut
7	1	STM1179	Tandwiel	Gear
8	1	STM1180	Krukas	Crankshaft
9	1	STM1181	Pulley krukas	Pulley crankshaft
10	1	STM1182	Moer	Nut
11	1	STM1183	Ring	Washer
12	1	STM1184	Ring	Washer
13	2	STM1185	Spie	Key
14	1	STM1186	Vliegwiel cpl	Flywheel assy
15	1	STM3600	Tandkrans	Gear
16	4	STM1187	Bout	Bolt
17	1	STM1035	Extra Pulley- optie	Extra Pulley- option
18	3	STM2022	Ring	Washer
19	3	STM4013	Bout M10x1,25x30	Bolt M10x1,25x30

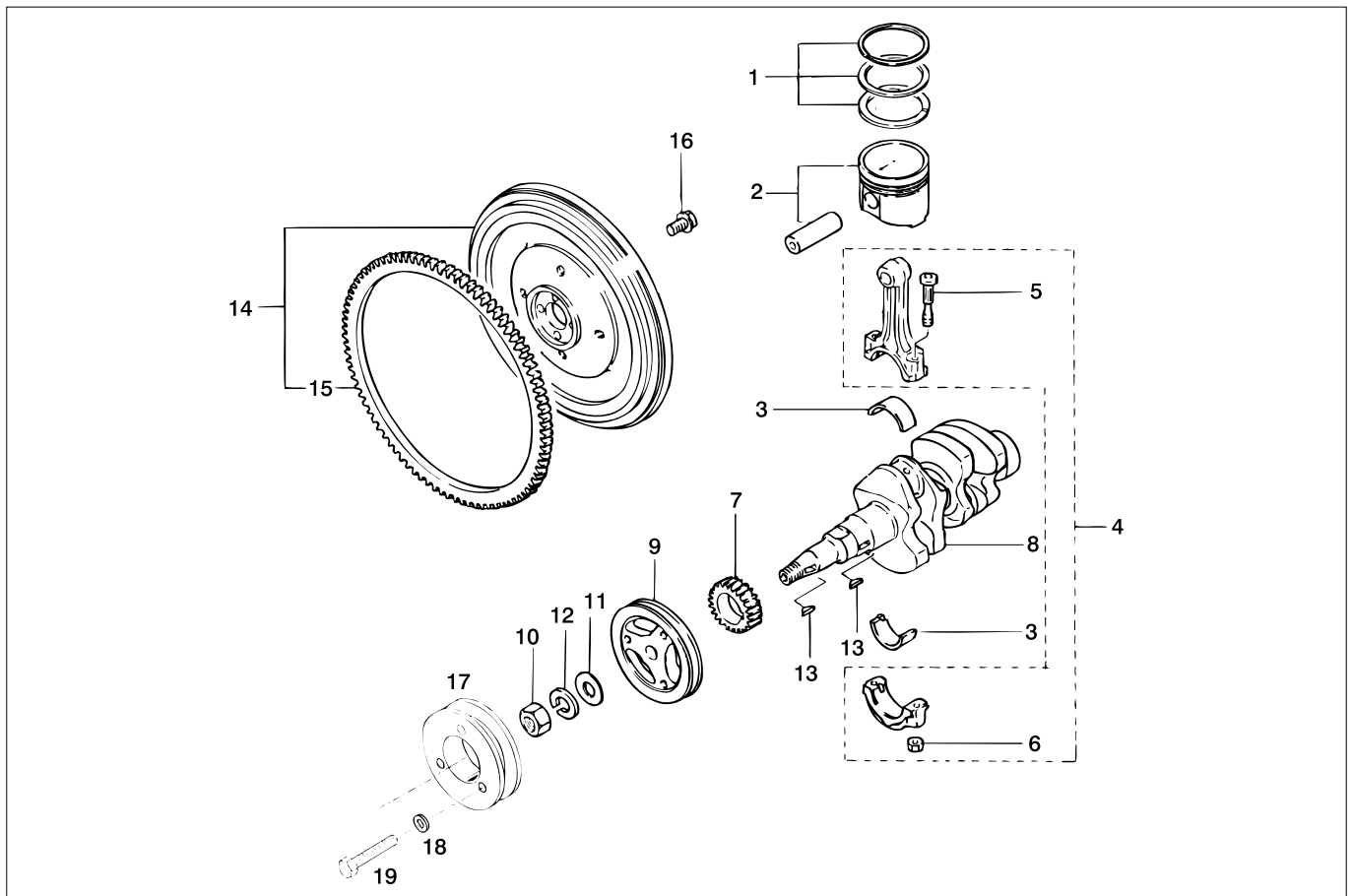


M2.04

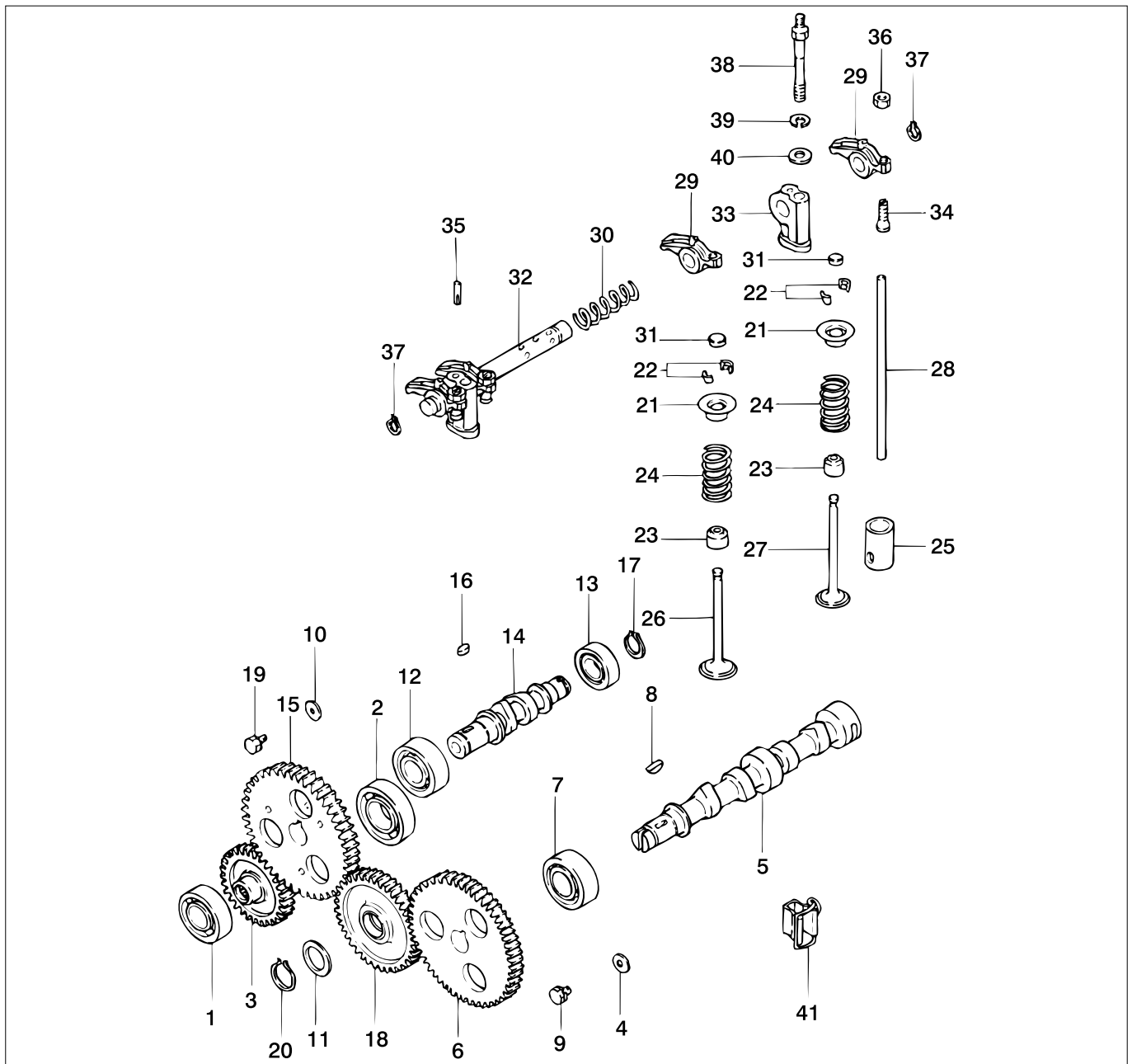
Krukas

Crankshaft

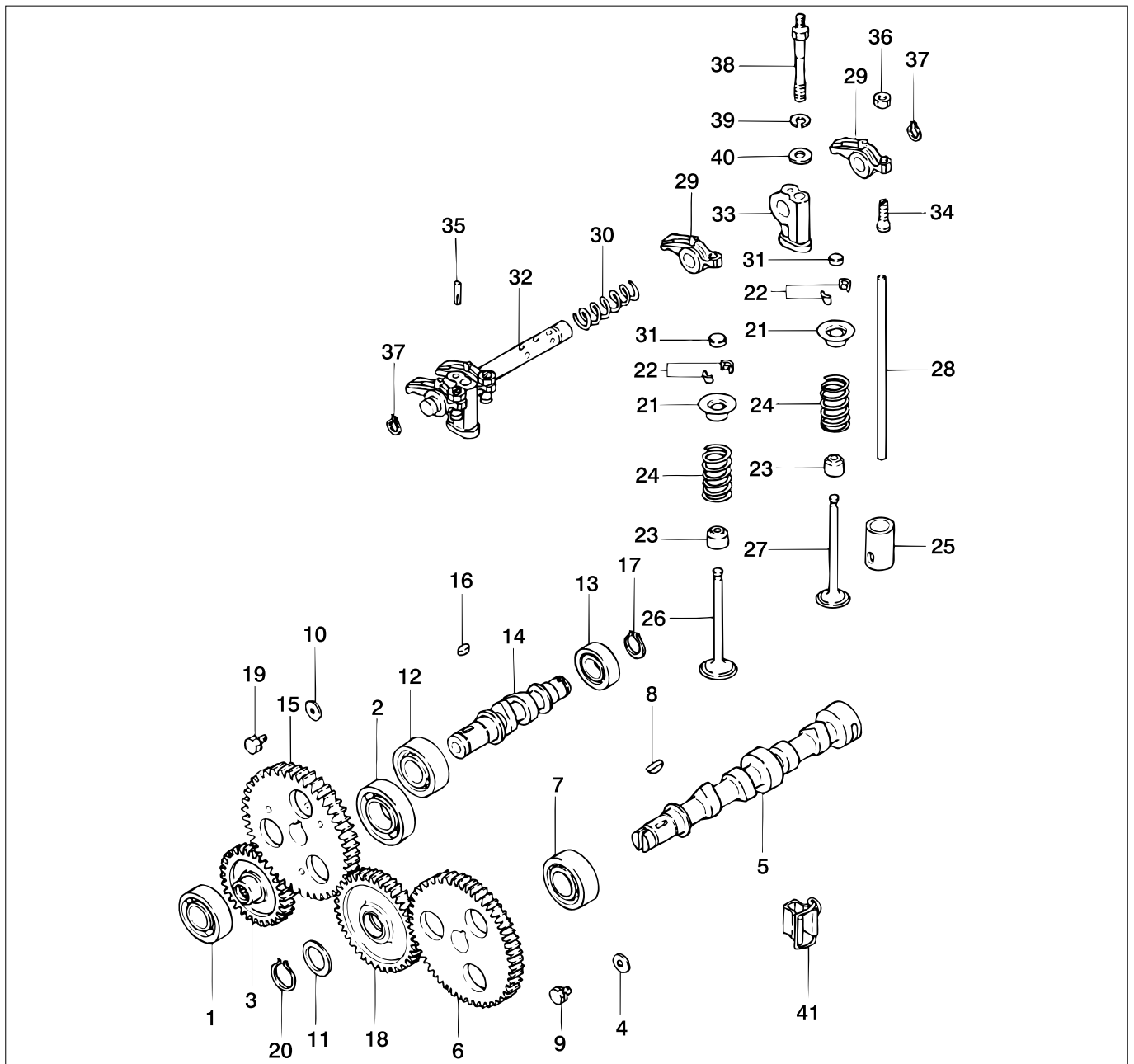
pos.	qty	part	benaming	description
1	2	STM1413	Ringenset std M2.04	Ring set std M2.04
		STM1414	Ringenset 0,25 OS M2.04	Ring set 0.25 OS M2.04
		STM1415	Ringenset 0,50 OS M2.04	Ring set 0.50 OS M2.04
2	2	STM1436	Zuiger std M2.04	Piston std M2.04
		STM1437	Zuiger 0,25 OS M2.04	Piston 0.25 OS M2.04
		STM1438	Zuiger 0,50 OS M2.04	Piston 0.50 OS M2.04
3	2	STM1421	Lagerset std M2.04	Bearing set std M2.04
		STM1422	Lagerset 0,25 OS M2.04	Bearing set 0.25 OS M2.04
		STM1423	Lagerset 0,50 OS M2.04	Bearing set 0.50 OS M2.04
4	2	STM1419	Drijfstang cpl M2.04	Rod cpl M2.04
5	4	STM1177	Bout	Bolt
6	4	STM3586	Moer	Nut
7	1	STM1179	Tandwiel	Gear
8	1	STM1180	Krukas	Crankshaft
9	1	STM1181	Pulley krukas	Pulley crankshaft
10	1	STM1182	Moer	Nut
11	1	STM1183	Ring	Washer
12	1	STM1184	Ring	Washer
13	2	STM1185	Spie	Key
14	1	STM1186	Vliegwiel cpl	Flywheel assy
15	1	STM3600	Tandkrans	Gear
16	4	STM1187	Bout	Bolt
17	1	STM1035	Extra Pulley- optie	Extra Pulley- option
18	3	STM2022	Ring	Washer
19	3	STM4013	Bout M10x1,25x30	Bolt M10x1,25x30



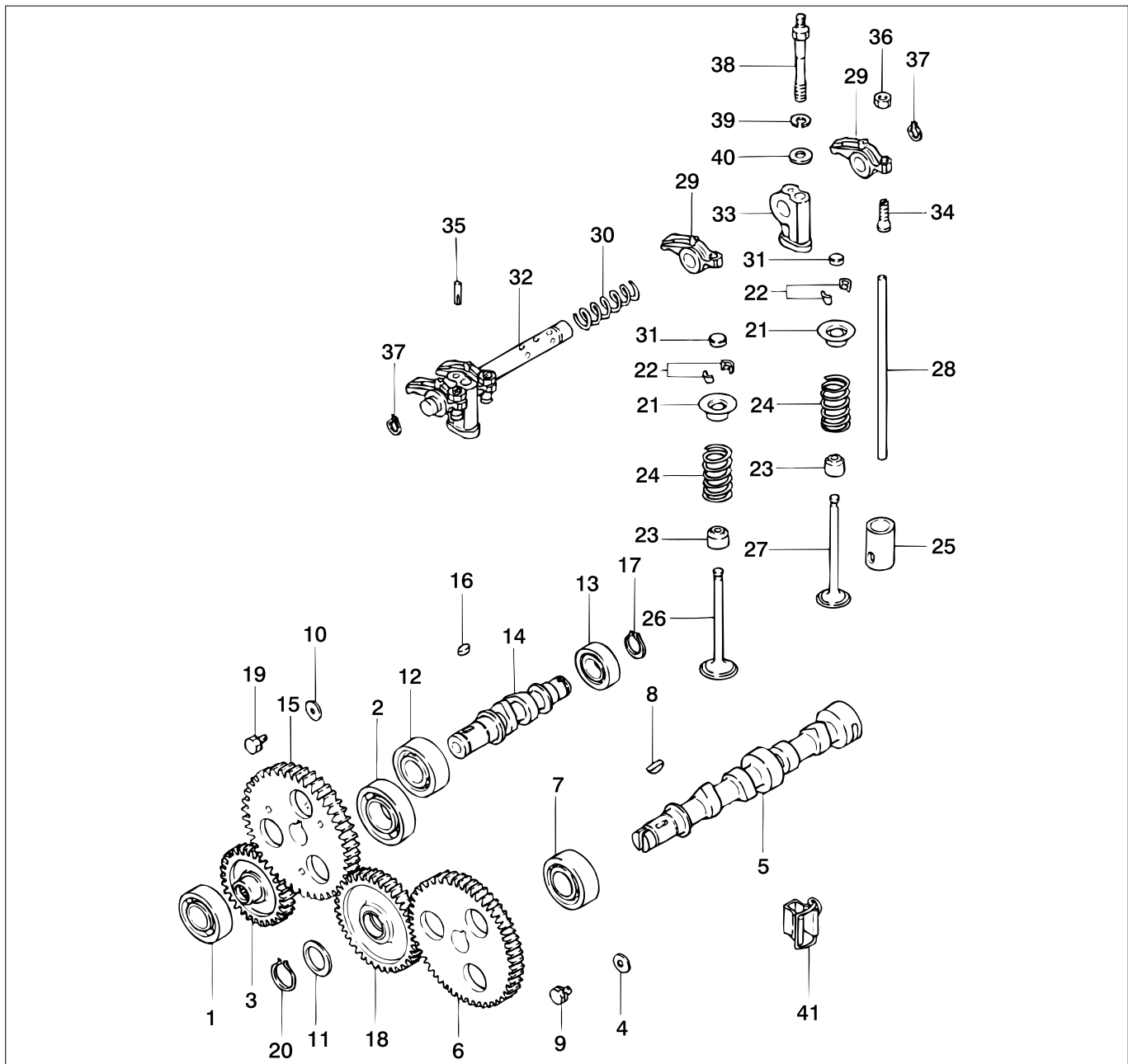
M2.02 M2.13	M2.06 M2.18	Krukas	Crankshaft	
pos.	qty	part	benaming	description
1	2	STM1397	Ringenset std M2.06/M2.13/M2.18	Ring set std M2.06/M2.13/M2.18
1		STM1398	Ringenset 0,25 OS M2.06/M2.13/M2.18	Ring set 0.25 OS M2.06/M2.13/M2.18
1		STM1399	Ringenset 0,50 OS M2.06/M2.13/M2.18	Ring set 0.50 OS M2.06/M2.13/M2.18
2	2	STM1430	Zuiger std M2.06/M2.13/M2.18	Piston std M2.06/M2.13/M2.18
2		STM1431	Zuiger 0,25 OS M2.06/M2.13/M2.18	Piston 0.25 OS M2.06/M2.13/M2.18
2		STM1432	Zuiger 0,50 OS M2.06/M2.13/M2.18	Piston 0.50 OS M2.06/M2.13/M2.18
3	2	STM1421	Lagerset std M2.06/M2.13/M2.18	Bearing set std M2.06/M2.13/M2.18
3		STM1422	Lagerset 0,25 OS M2.06/M2.13/M2.18	Bearing set 0.25 OS M2.06/M2.13/M2.18
3		STM1423	Lagerset 0,50 OS M2.06/M2.13/M2.18	Bearing set 0.50 OS M2.06/M2.13/M2.18
4	2	STM1420	Drijfstang cpl M2.06/M2.13/M2.18	Rod cpl M2.06/M2.13/M2.18
5	4	STM1177	Bout	Bolt
6	4	STM3586	Moer	Nut
7	1	STM1179	Tandwiel	Gear
8	1	STM1180	Krukas	Crankshaft
9	1	STM1181	Pulley krukas	Pulley crankshaft
10	1	STM1182	Moer	Nut
11	1	STM1183	Ring	Washer
12	1	STM1184	Ring	Washer
13	2	STM1185	Spie	Key
14	1	STM1186	Vliegwiel cpl	Flywheel assy
15	1	STM3600	Tandkrans	Gear
16	4	STM1187	Bout	Bolt
17	1	STM1035	Extra Pulley- optie	Extra Pulley- option
18	3	STM2022	Ring	Washer
19	3	STM4013	Bout M10x1,25x30	Bolt M10x1,25x30



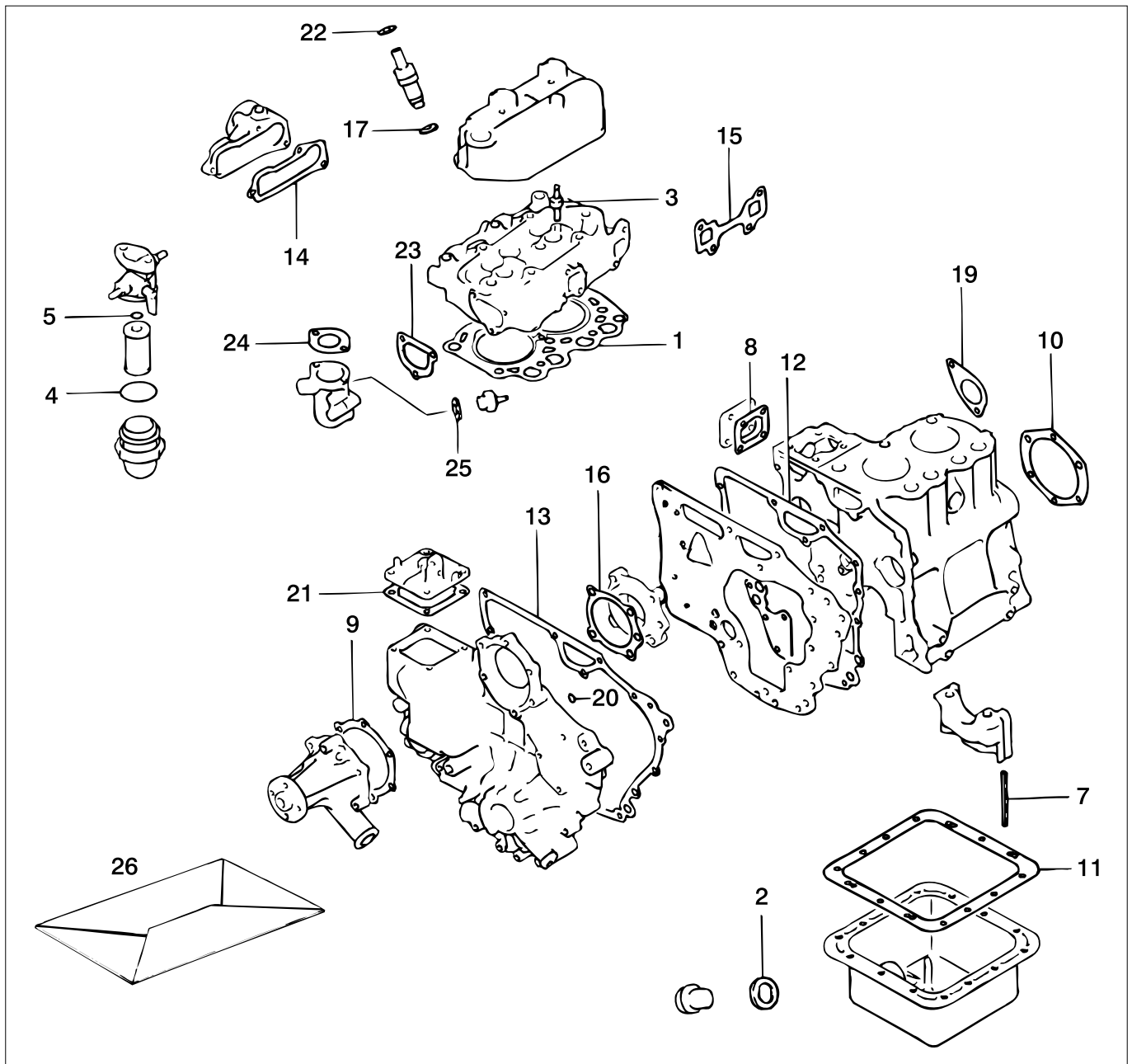
pos.	qty	part	benaming	description
1	1	STM1198	Lager	Bearing
2	1	STM1189	Lager	Bearing
3	1	STM1190	Tandwiel	Gear
4	1	STM1191	Ring	Washer
5	1	STM1192	Nokkenas	Camshaft
6	1	STM1193	Tandwiel	Gear
7	1	STM1198	Lager	Bearing
8	1	STM3604	Spie	Key
9	1	STM1195	Bout	Bolt
10	1	STM1196	Ring	Washer
11	1	STM8002	Ring	Washer
12	1	STM1198	Lager	Bearing
13	1	STM1199	Lager	Bearing
14	1	STM1200	As	Shaft
15	1	STM1201	Tandwiel	Gear
16	1	STM1202	Spie	Key



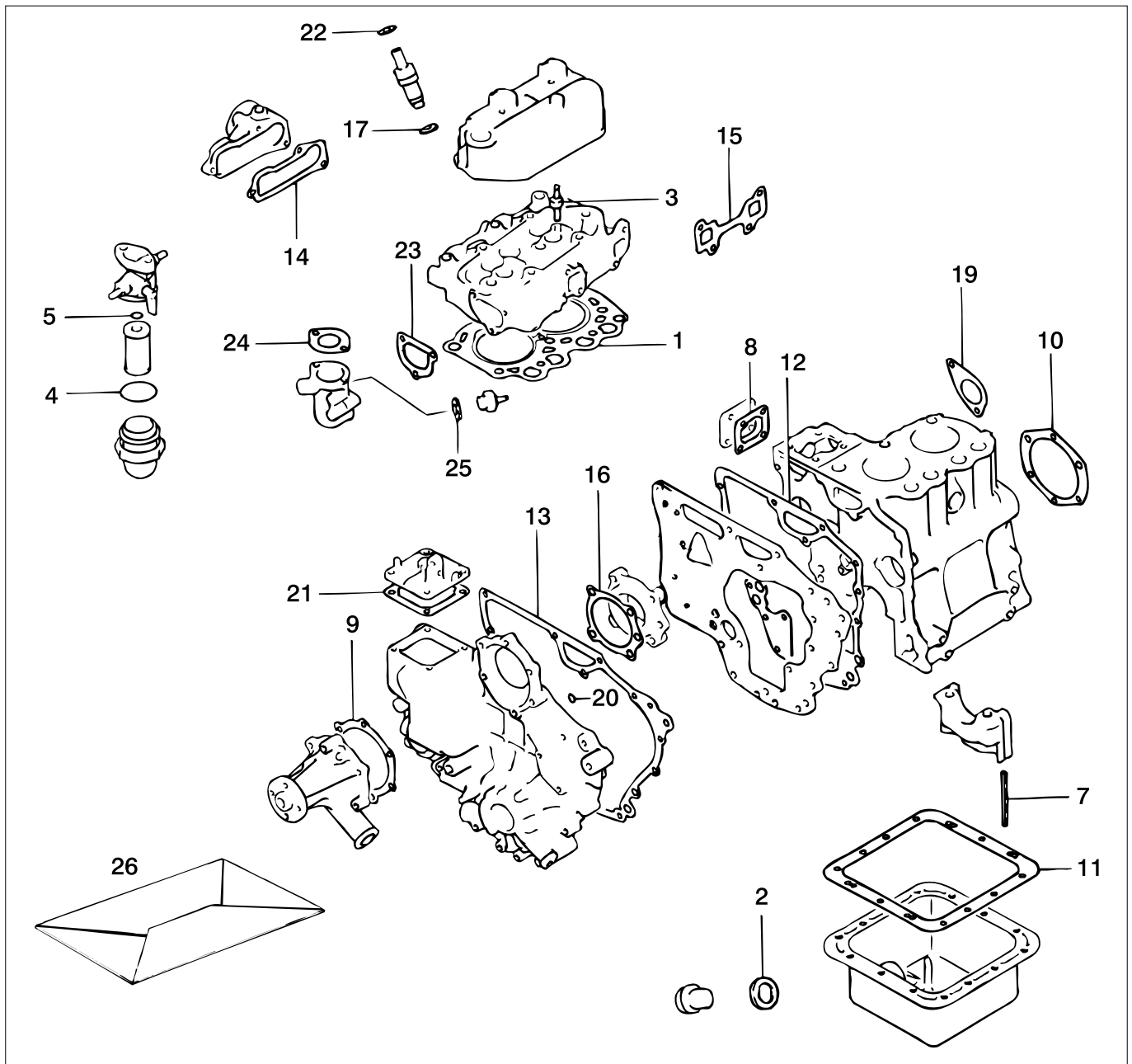
pos.	qty	part	benaming	description
17	1	STM1203	Borg veer	Snap ring
18	1	STM1204	Tandwiel cpl	Gear assy
19	1	STM1205	Bout	Bolt
20	1	STM1206	Ring	Snap ring
21	4	STM3620	Veerschotel	Retainer valve spring
22	8	STM2588	Klepspie	Lock valve retainer
23	4	STM2589	Ring	Seal
24	4	STM1207	Veer	Spring
25	4	STM1208	Klepstoter	Tappet
26	2	STM1209	Klep inlaat	Valve intake
27	2	STM1210	Klep uitlaat	Valve exhaust
28	4	STM1211	Stoterstang	Rod push
29	4	STM1212	Tuimelaar	Rocker arm
30	1	STM3612	Veer	Spring
31	4	STM1213	Steun tuimelaar as	Stay rockershaft
32	1	STM1214	As	Shaft



pos.	qty	part	benaming	description
33	2	STM3613	Steun	Stay
34	4	STM1215	Schroef	Screw
35	1	STM1216	Pen	Pin
36	4	STM1217	Moer	Nut
37	2	STM3614	Borg ring	Snap ring
38	2	STM1218	Bout	Bolt
39	2	STM1219	Ring	Washer
40	2	STM1220	Ring	Washer
41	1	STM1221	Klem	Clamp



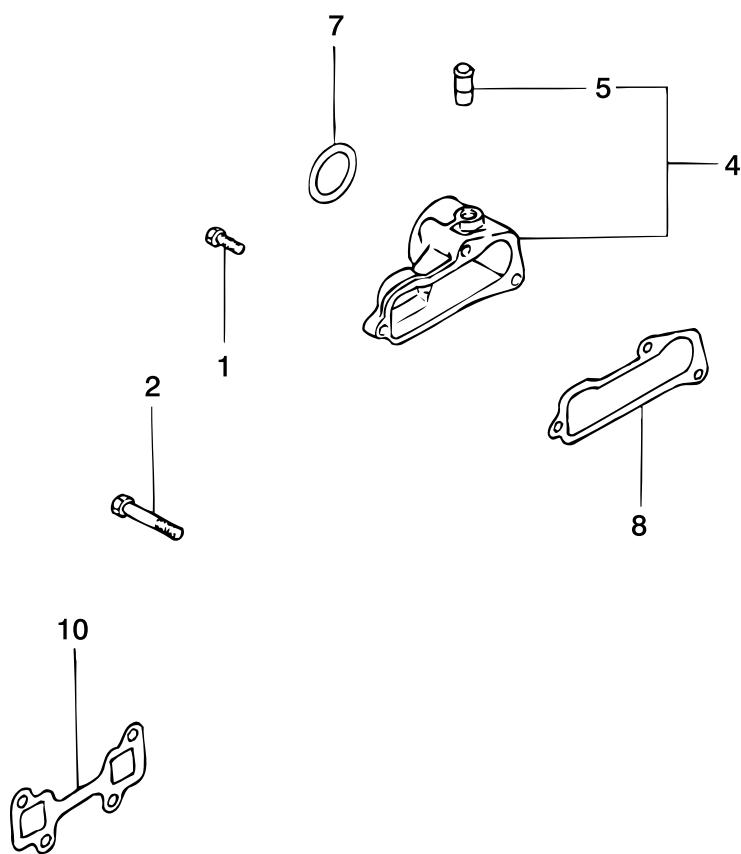
pos.	qty	part	benaming	Gaskets	description
1	1	STM1409	Pakking cilinderkop M2.06/M2.13/M2.18		Gasket cylinder head M2.06/M2.13/M2.18
	1	STM1412	Pakking cilinderkop M2.04		Gasket cylinder head M2.04
	1	STM1095	Pakking cilinderkop M2.C5/M2.D5		Gasket cylinder head M2.C5/M2.D5
2	2	STM1133	Pakking aftap plug		Gasket drain plug
3	4	STM2589	Ring		Seal
7	4	STM1101	Dichting		Seal
8	1	STM1374	Pakking pomp deksel		Gasket tie rod cover
9	1	STM1230	Pakking waterpomp		Gasket waterpump
10	1	STM1113	Pakking achterplaat		Gasket tearplate
11	1	STM1135	Pakking carterpan		Gasket oilpan
12	1	STM1116	Pakking voorplaat		Gasket frontplate
13	1	STM1147	Pakking distributie deksel		Gasket gearcase
14	1	STM1226	Pakking luchtinlaat		Gasket air intake
15	1	STM6252	Pakking uitlaat		Gasket exhaust
16	1	STM1149	Pakking		Gasket
17	2	STM1299	Pakking verstuiverhouder		Gasket nozzle holder



M2.02 M2.04 M2.06 M2.C5 Pakkingen
M2.13 M2.18 M2.D5

Gaskets

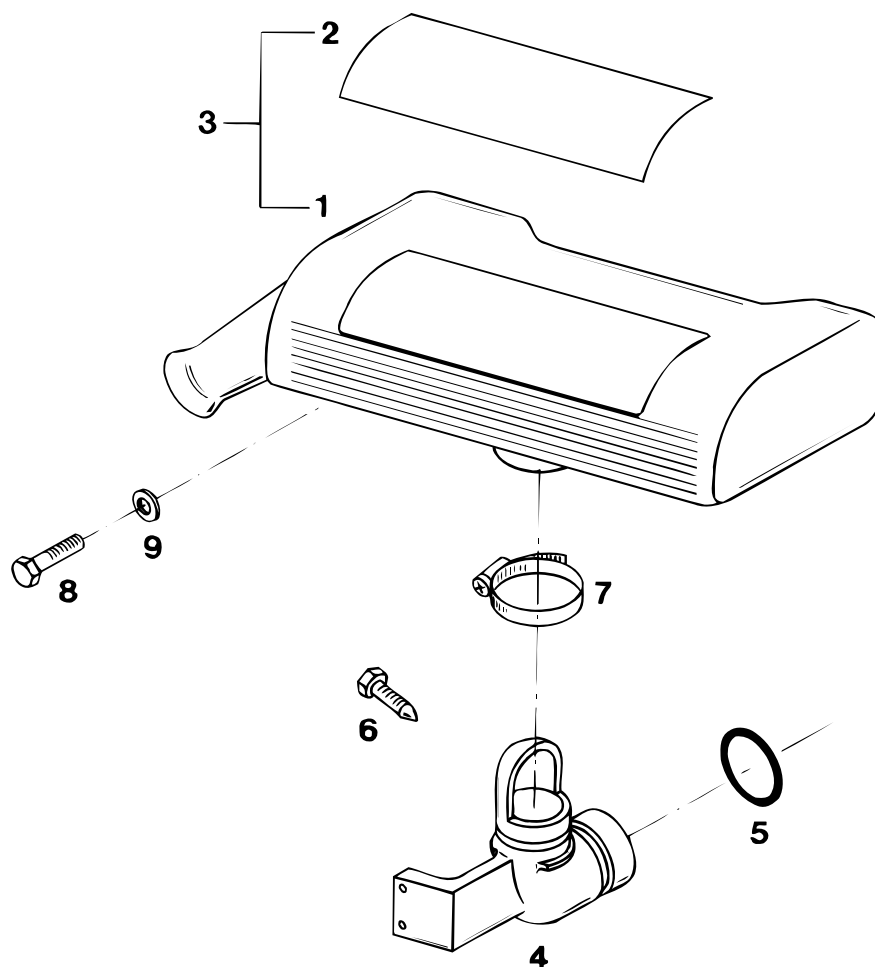
pos.	qty	part	benaming	description
19	1	STM1114	Pakking opvoerpomp	Gasket pump
20	2	STM1155	O-ring	O-ring
21	1	STM1354	Pakking	Gasket
22	2	STM1303	Pakking	Gasket
23	1	STM1235	Pakking	Gasket
24	1	STM6251	Pakking thermostaathuis	Gasket thermostate housing
25	1	STM6269	Ring	Ring
26	1	STM1424	Pakkingset M2.06/M2.13/M2.18	Gasket kit M2.06/M2.13/M2.18
	1	STM1425	Pakkingset M2.04	Gasket kit M2.04
	1	STM1096	Pakkingset M2C5/M2.D5	Gasket kit M2.C5/M2.D5



M2.02 M2.04 M2.06 M2.C5 Luchtinlaat
M2.13 M2.18 M2.D5

Air intake

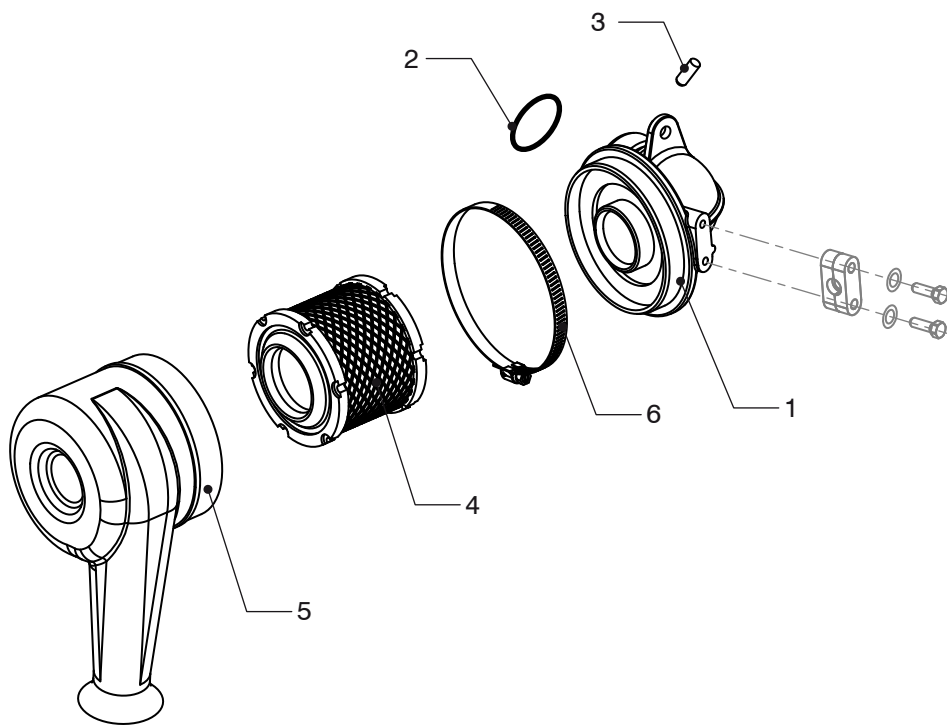
pos.	qty	part	benaming	description
1	1	STM1222	Bout	Bolt
2	2	STM1223	Bout	Bolt
4	1	STM1224	Deksel + pijp	Cover + pipe
5	1	STM1225	Pijp	Pipe
7	1	STM6120	O-ring	O-ring
8	1	STM1226	Pakking	Gasket
10	1	STM6252	Pakking	Gasket



M2.02 M2.04 M2.06 M2.C5 M2.D5 **Luchtinlaatkast 2014 <-**

Air intake Housing 2014 <-

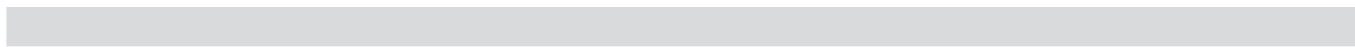
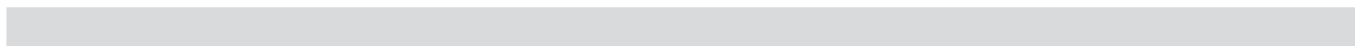
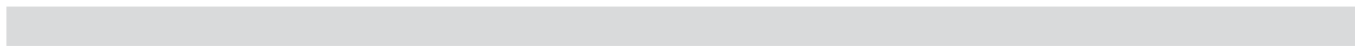
pos.	qty	part	benaming	description
1	1	STM6119	Luchtinlaatkast	Air intake housing
2	1	STM9479	Sticker M2.02	Sticker M2.02
	1	STM6227	Sticker M2.04	Sticker M2.04
	1	STM6133	Sticker M2.06	Sticker M2.06
	1	STM6240	Sticker M2.C5	Sticker M2.C5
	1	STM6295	Sticker M2.D5	Sticker M2.D5
3	1	STM9480	Luchtinlaatkast cpl. M2.02	Air intake housing cpl. M2.02
	1	STM6228	Luchtinlaatkast cpl. M2.04	Air intake housing cpl. M2.04
	1	STM6158	Luchtinlaatkast cpl. M2.06	Air intake housing cpl. M2.06
	1	STM6241	Luchtinlaatkast cpl. M2.C5	Air intake housing cpl. M2.C5
	1	STM6296	Luchtinlaatkast cpl. M2.D5	Air intake housing cpl. M2.D5
4	1	STM6114	Luchtinlaat bocht	Air intake bend
5	1	STM6120	O-ring 36x3,5	O-ring 36x3,5
6	1	STM6139	Stelschroef M6x12	Setting screw M6x12
7	1	STM3012	Slangklem 38x50	Hose clamp 38x50
8	1	STM3355	Bout M8x20	Bolt M8x20
9	1	STM3749	Ring	Washer

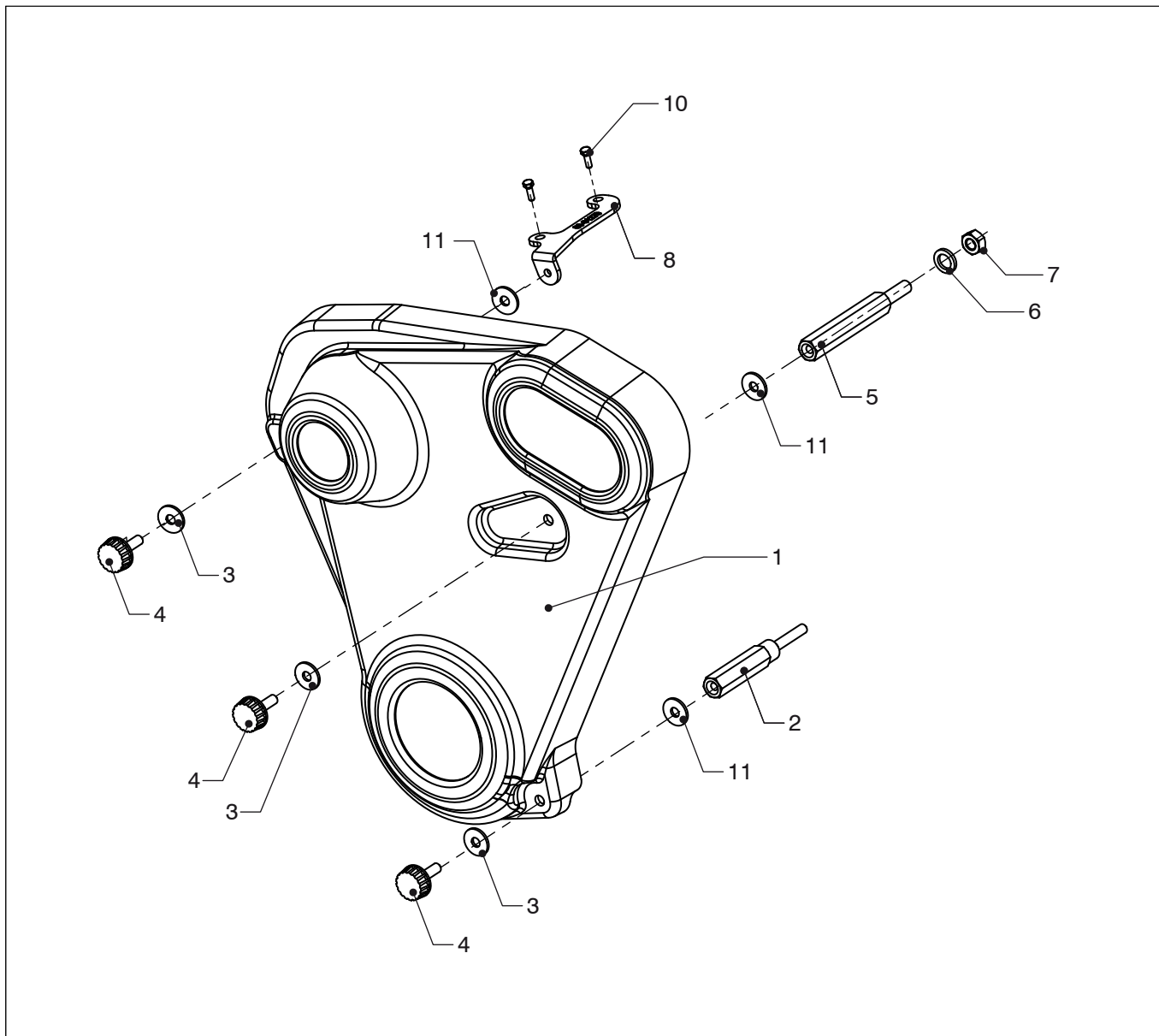


Luchtfilter

Air cleaner

M2.13		M2.18			
pos.	qty	part	benaming		description
1	1	08-01266	Luchtinlaat bocht		Air intake elbow
2	1	STM6120	O-ring 36x3,5		O-ring 36x3,5
3	1	STM6139	Stelschroef M6x12		Setting screw M6x12
4	1	08-01308	Luchtfilter element		Air cleaner element
5	1	08-01267	Luchtfilter behuizing		Air cleaner case
6	1	08-01265	Slangklem 70-90		Hose clamp 70-90

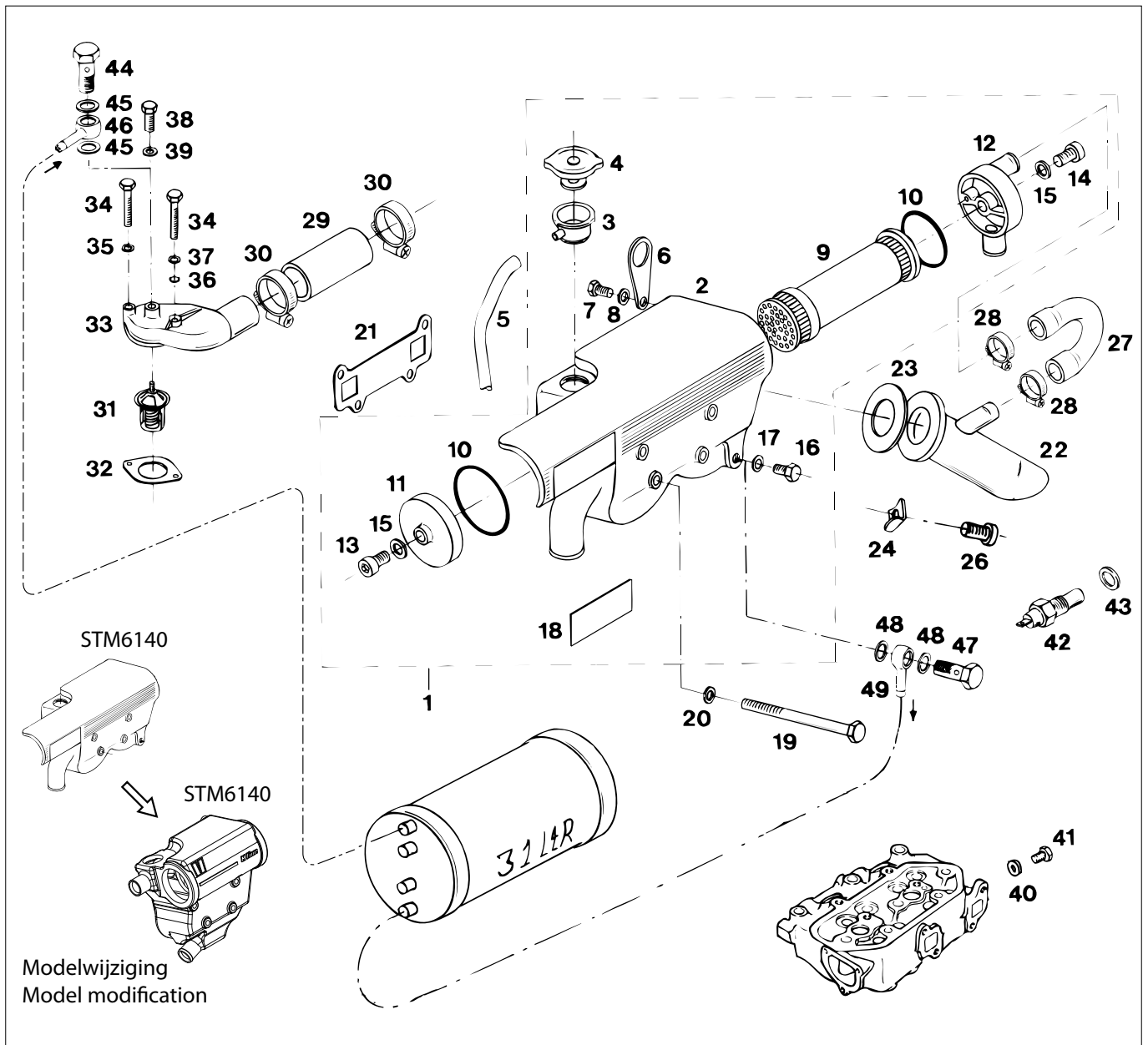




Afschermkap

Protection cover

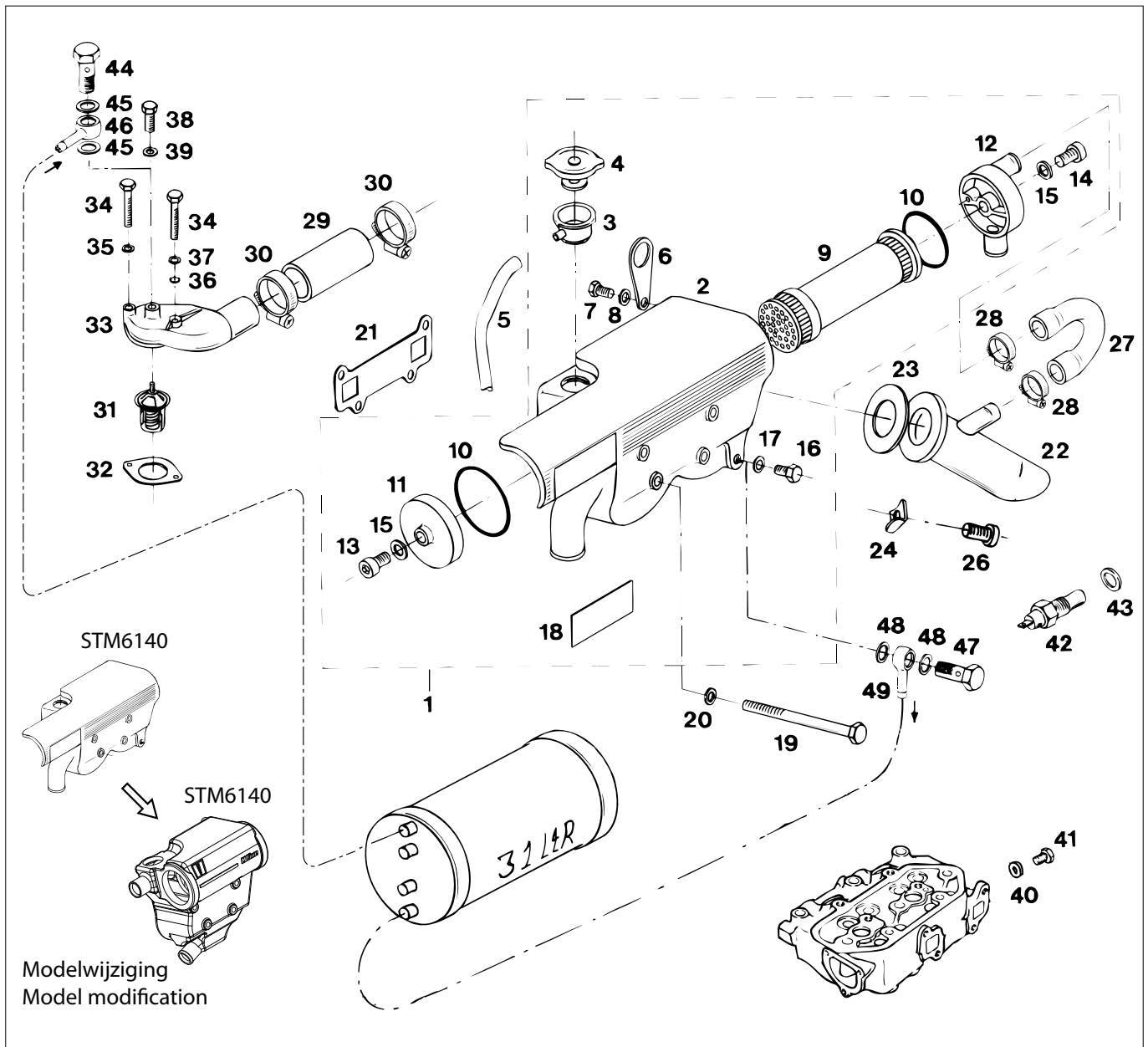
M2.13		M2.18		Afschermkap	Protection cover
pos.	qty	part	benaming	description	
1	1	08-01275	Afschermkap	Protection cover	
2	1	08-01276	Afstandsstuk L=61 (10 Nm)	Spacer L=61 (10 Nm)	
3	3	STM8726	Ring M6 3D	Washer M6 3D	
4	3	08-01277	Draaiknop	Turning knob	
5	1	08-01278	Afstandsstuk L=77	Spacer L=77	
6	1	STM1056	Veerring M8	Spring washer M8	
7	1	STM2005	Moer M8	Nut M8	
8	1	08-01279	Steun	Support	
10	2	STM1024	Bout M6x16 (5 Nm)	Bolt M6x16 (5 Nm)	
11	3	08-01292	Antiverliesring	Anti-loss ring	



M2.04 M2.06 M2.C5 M2.D5 **Warmtewisselaar units**

Heat exchanger units

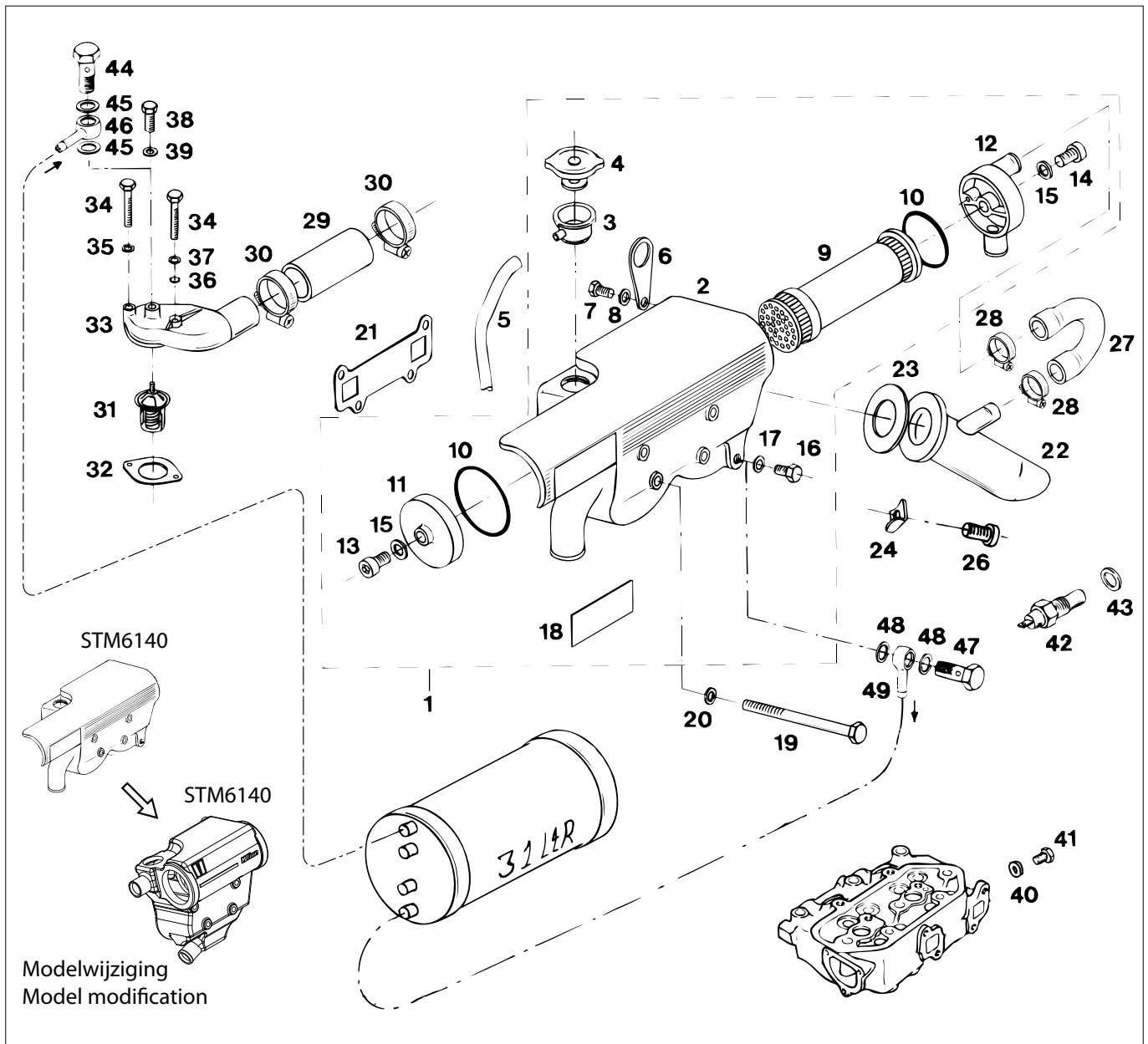
pos.	qty	part	benaming	description
1	1	STM6142	Warmtewisselaar compl.	Heatexchanger housing compl.
2	1	STM6140	Warmtewisselaar huis	Heatexchanger housing
3	1	STM6108	Vulnek	Filler neck
4	1	STM1017	Vuldop 0,5 Bar	Filler cap 0.5 Bar
5	1	STM1027	Slang	Hose
6	1	STM6254	Hijsoog	Lifting eye
7	1	STM3355	Bout M8x20	Bolt M8x20
8	1	STM1056	Ring	Washer
9	1	STM6128	Pijpenbundel	Tube stack
10	1	STM6113	O-ring 61x2,5	O-ring 61x2.5
11	1	STM7446	Deksel (metaal)	Cover (metal)
12	1	STM6131	Deksel (metaal)	Cover (metal)
13	1	STM7648	Inbus bout M8x20, lage kop	Allen screw M8x20, low head
14	1	STM1006	Inbus bout M8x30	Allen screw M8x30
15	2	08-01108	Ring, fiber	Washer, fibre
16	1	STM1059	Plug M14x1,5	Plug M14x1.5
17	1	STM1062	Ring	Washer



M2.04 M2.06 M2.C5 M2.D5 **Warmtewisselaar units**

Heat exchanger units

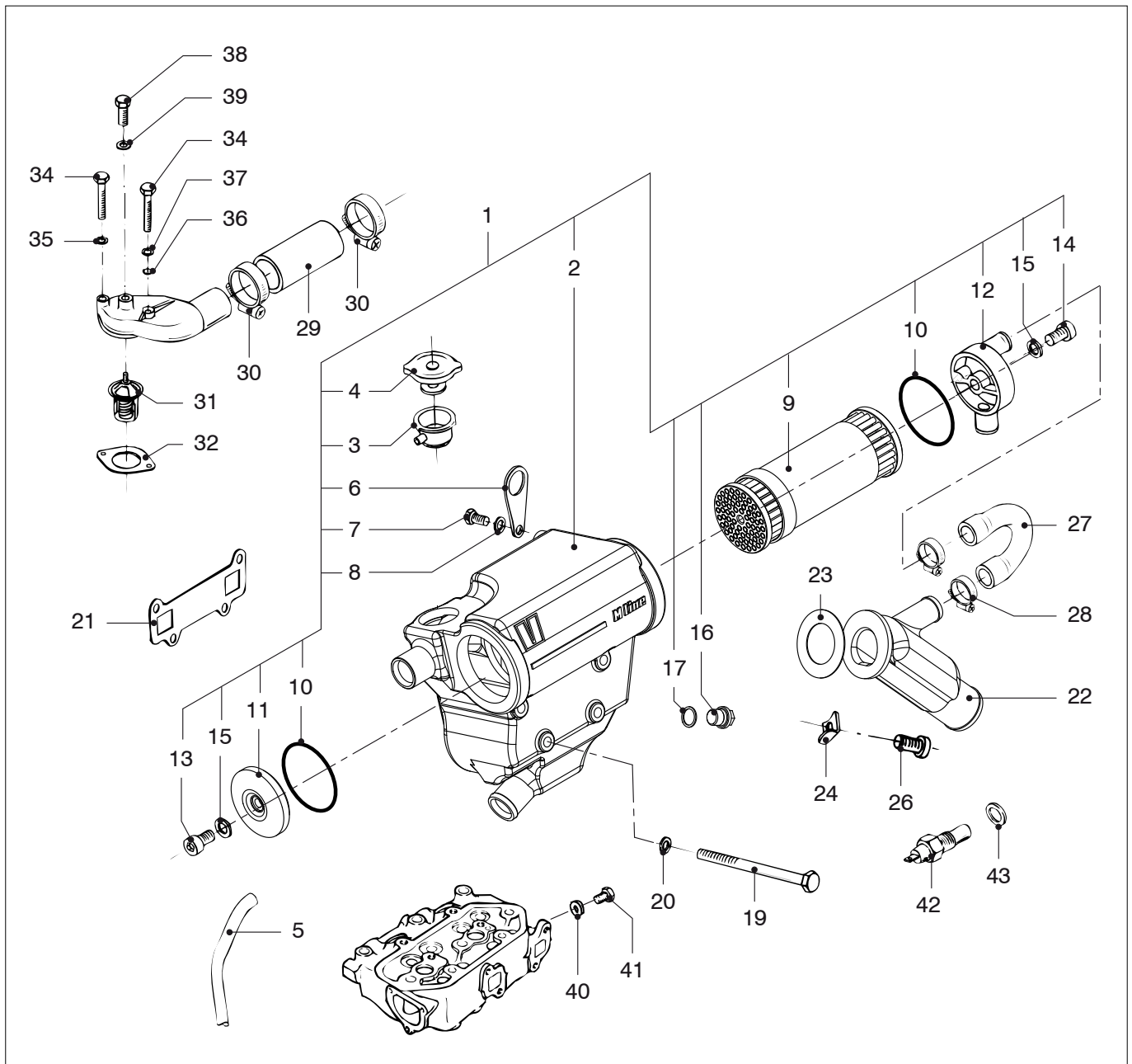
pos.	qty	part	benaming	description
18	1	STM6157	Logoplaatje	Logo plate
19	4	STM6121	Bout M8x110	Bolt M8x110
20	4	STM1019	Ring	Washer
21	1	STM6252	Pakking	Gasket
22	1	STM6117	Uitlaat inject. bocht ø40	Exhaust injection bend ø40
23	1	STM6152	Pakking	Gasket
24	3	STM6126	Kikkerplaatje	Clamp plate
26	3	STM6299	Inbusbout M8x20	Allen screw M8x20
27	1	STM6124	Rubber bocht	Rubber bend
28	2	STM2012	Slangklem 19-28	Hose clamp 19-28
29	1	STM6138	Slang	Hose
30	2	STM6116	Slangklem 26-38	Hose clamp 26-38
31	1	STM6250	Thermostaat 71°C	Thermostat 71°C
32	1	STM6251	Pakking	Gasket
33	1	STM6112	Thermostaat huis	Thermostat housing
34	2	STM6155	Bout M6x35	Bolt M6x35
35	1	STM1025	Ring	Washer



M2.04 M2.06 M2.C5 M2.D5 **Warmtewisselaar units**

Heat exchanger units

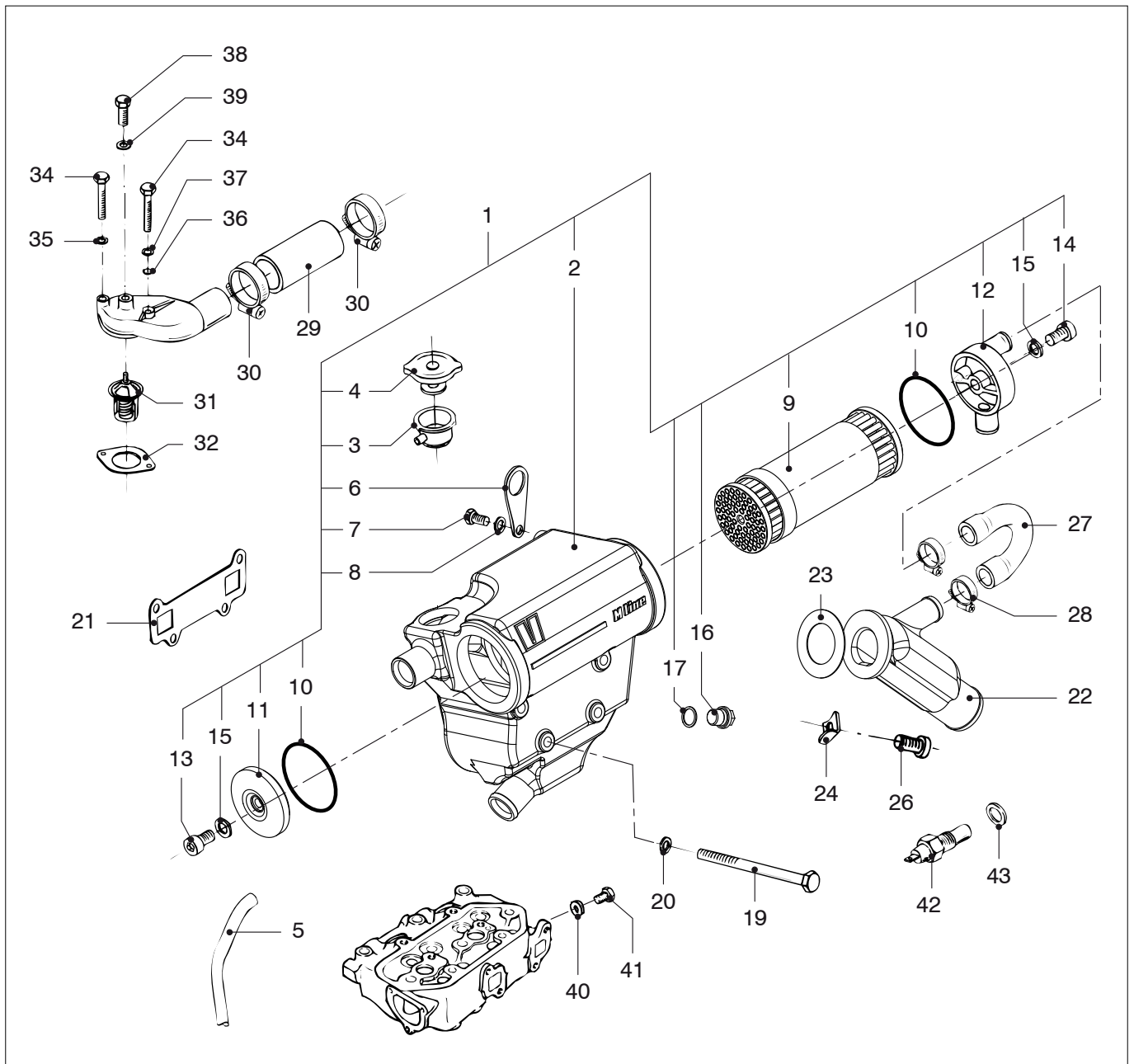
pos.	qty	part	benaming	description
36	1	STM6118	O-ring 6x2	O-ring 6x2
37	1	STM6156	Ring	Washer
38	1	STM6147	Bout M10x1,5x12	Bolt M10x1.5x12
39	1	STM2018	Ring	Washer
40	1	STM1007	Ring	Washer
41	1	STM3796	Bout M8x1,25x10	Bolt M8x1.25x10
42	1	STM2006	Temperatuur schakelaar 75°C M18x1,5 1p	Thermoswitch 75°C M18x1.5 1p
43	1	STM2019	Ring	Washer
44	1	STM6199	Banjo bout M10x1,5	Banjo bolt M10x1.5
45	2	STM2018	Afdichtring M10	Seal washer M10
46	1	STM6196	Banjo oog ø8	Banjo eye ø8
47	1	STM3518	Banjo bout M14x1,5	Banjo bolt M14x1.5
48	2	STM1062	Afdichtring M14	Seal washer M14
49	1	STM3695	Banjo oog ø10	Banjo eye ø10
50	1	STM6235	Set boiler aansluiting	Kit boiler connection



M2.02 M2.04 M2.06 M2.C5 Warmtewisselaar units
M2.13 M2.18 M2.D5

Heat exchanger units

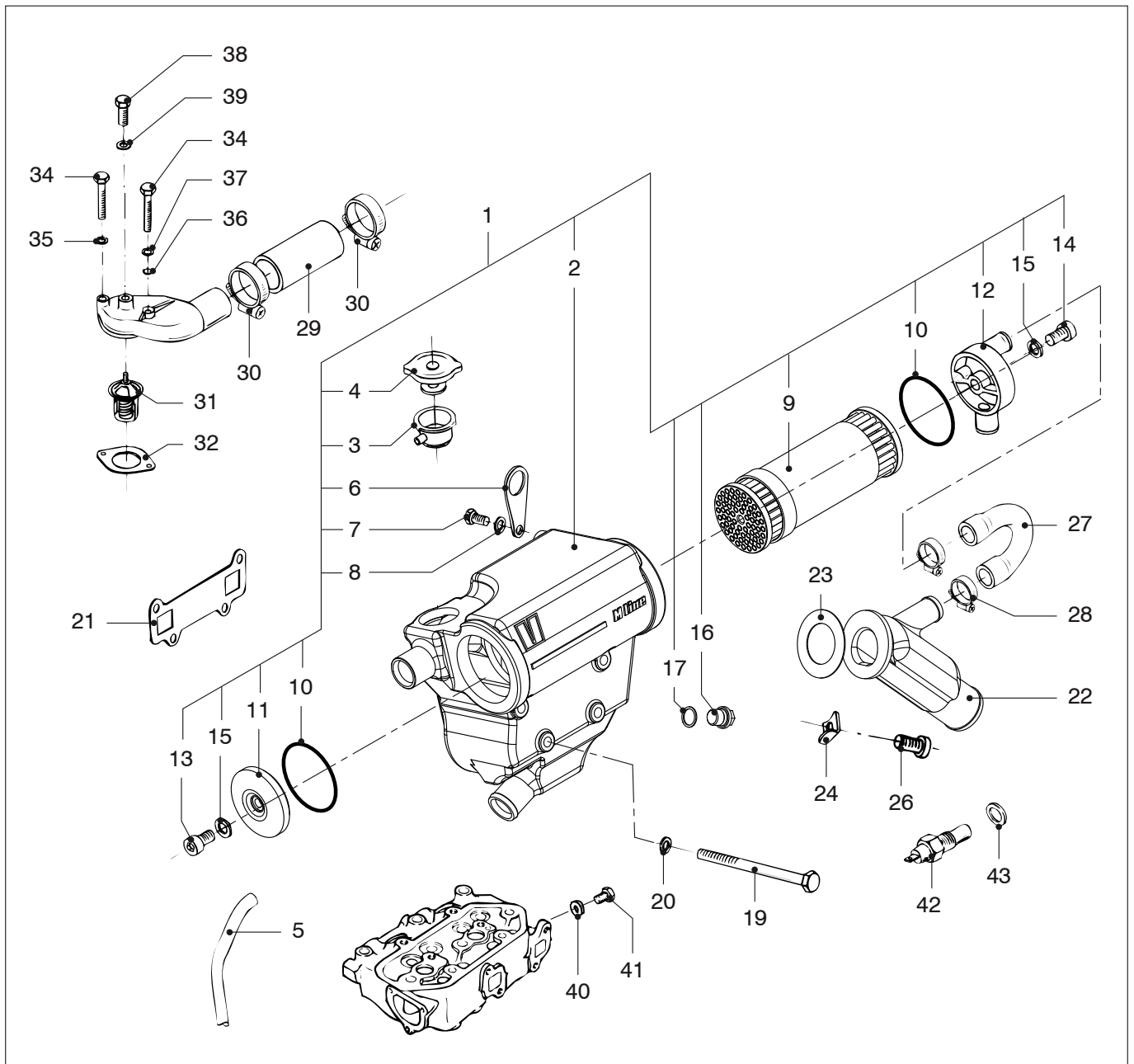
pos.	qty	part	benaming	description
1	1	STM6142	Warmtewisselaar compl.	Heatexchanger housing compl.
2	1	STM6140	Warmtewisselaar huis	Heatexchanger housing
3	1	STM1515	Vulnek	Filler neck
4	1	STM1017	Vuldop 0,5 Bar	Filler cap 0.5 Bar
5	1	STM1027	Slang	Hose
6	1	STM6254	Hijsoog	Lifting eye
7	1	STM3355	Bout M8x20	Bolt M8x20
8	1	STM1056	Ring	Washer
9	1	STM6128	Pijpenbundel	Tube stack
10	1	STM6113	O-ring 61x2,5	O-ring 61x2.5
11	1	STM7446	Deksel (metaal)	Cover (metal)
12	1	STM6131	Deksel (metaal)	Cover (metal)
13	1	STM7648	Inbus bout M8x20, lage kop	Allen screw M8x20, low head
14	1	STM1006	Inbus bout M8x30	Allen screw M8x30
15	2	08-01108	Ring, fiber	Washer, fibre
16	1	STM1059	Plug M14x1,5	Plug M14x1.5



M2.02 M2.04 M2.06 M2.C5 Warmtewisselaar units
M2.13 M2.18 M2.D5

Heat exchanger units

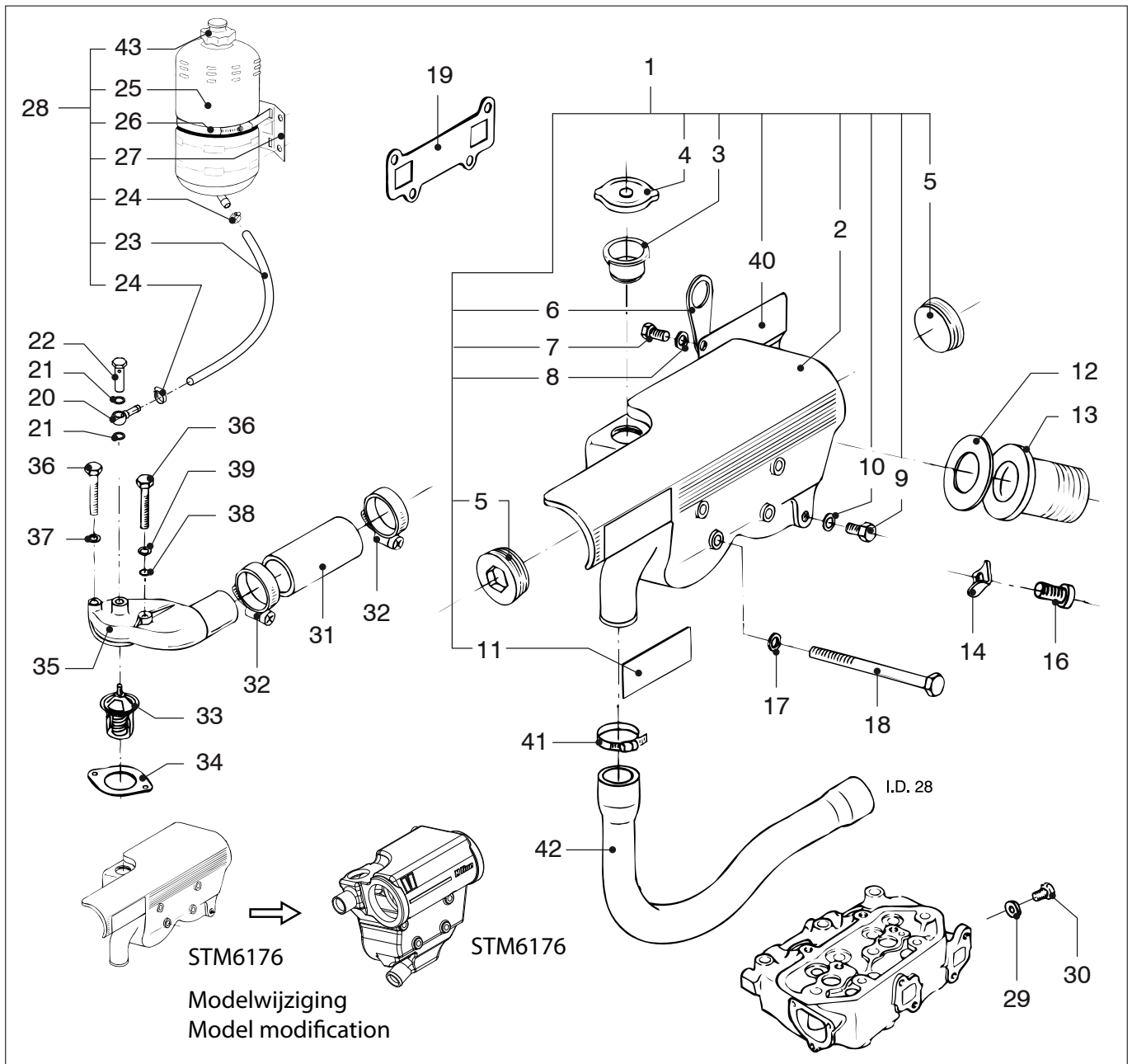
pos.	qty	part	benaming	description
17	1	STM1062	Ring	Washer
18	1	STM6157	Logoplaatje	Logo plate
19	4	STM6121	Bout M8x110	Bolt M8x110
20	4	STM1019	Ring	Washer
21	1	STM6252	Pakking	Gasket
22	1	STM6117	Uitlaat inject. bocht ø40	Exhaust injection bend ø40
23	1	STM6152	Pakking	Gasket
24	3	STM6126	Kikkerplaatje	Clamp plate
26	3	STM6299	Inbusbout M8x20	Allen screw M8x20
27	1	STM6124	Rubber bocht	Rubber bend
28	2	STM2012	Slangklem 19-28	Hose clamp 19-28
29	1	STM6138	Slang	Hose
30	2	STM6116	Slangklem 26-38	Hose clamp 26-38
31	1	STM6250	Thermostaat 71°C	Thermostat 71°C
32	1	STM6251	Pakking	Gasket
33	1	STM6112	Thermostaat huis	Thermostat housing



M2.02 M2.04 M2.06 M2.C5 Warmtewisselaar units
M2.13 M2.18 M2.D5

Heat exchanger units

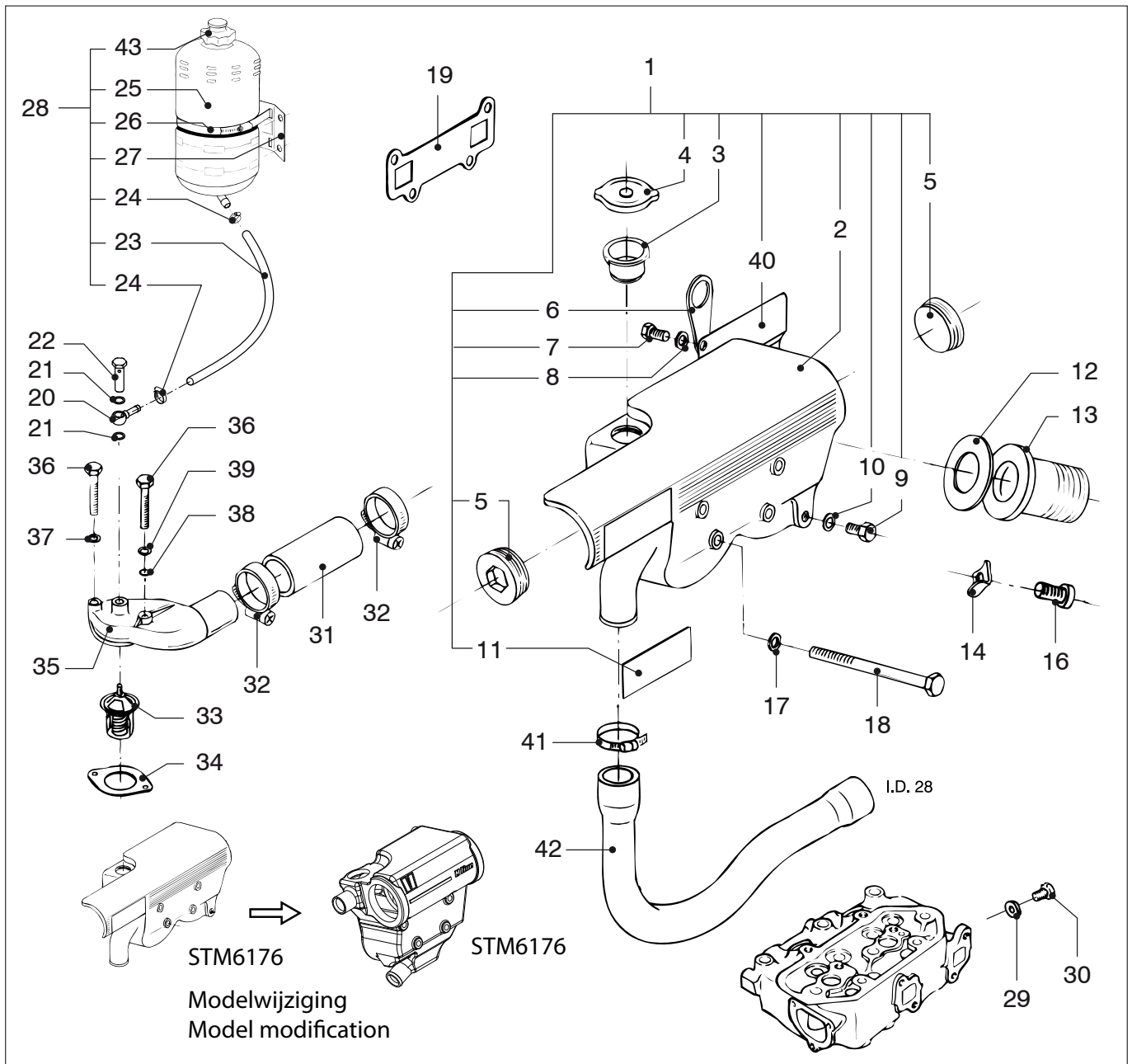
pos.	qty	part	benaming	description
34	2	STM6155	Bout M6x35	Bolt M6x35
35	1	STM1025	Ring	Washer
36	1	STM6118	O-ring 6x2	O-ring 6x2
37	1	STM6156	Ring	Washer
38	1	STM6147	Bout M10x1,5x12	Bolt M10x1.5x12
39	1	STM2018	Ring	Washer
40	1	STM1007	Ring	Washer
41	1	STM3796	Bout M8x1,25x10	Bolt M8x1.25x10
42	1	STM2006	Temperatuur schakelaar 75°C M18x1,5 1p	Thermoswitch 75°C M18x1.5 1p
43	1	STM2019	Ring	Washer



M2.02 M2.04 M2.06 M2.C5
M2.D5 **Kielkoelspruitstuk**

Keelcooler manifold

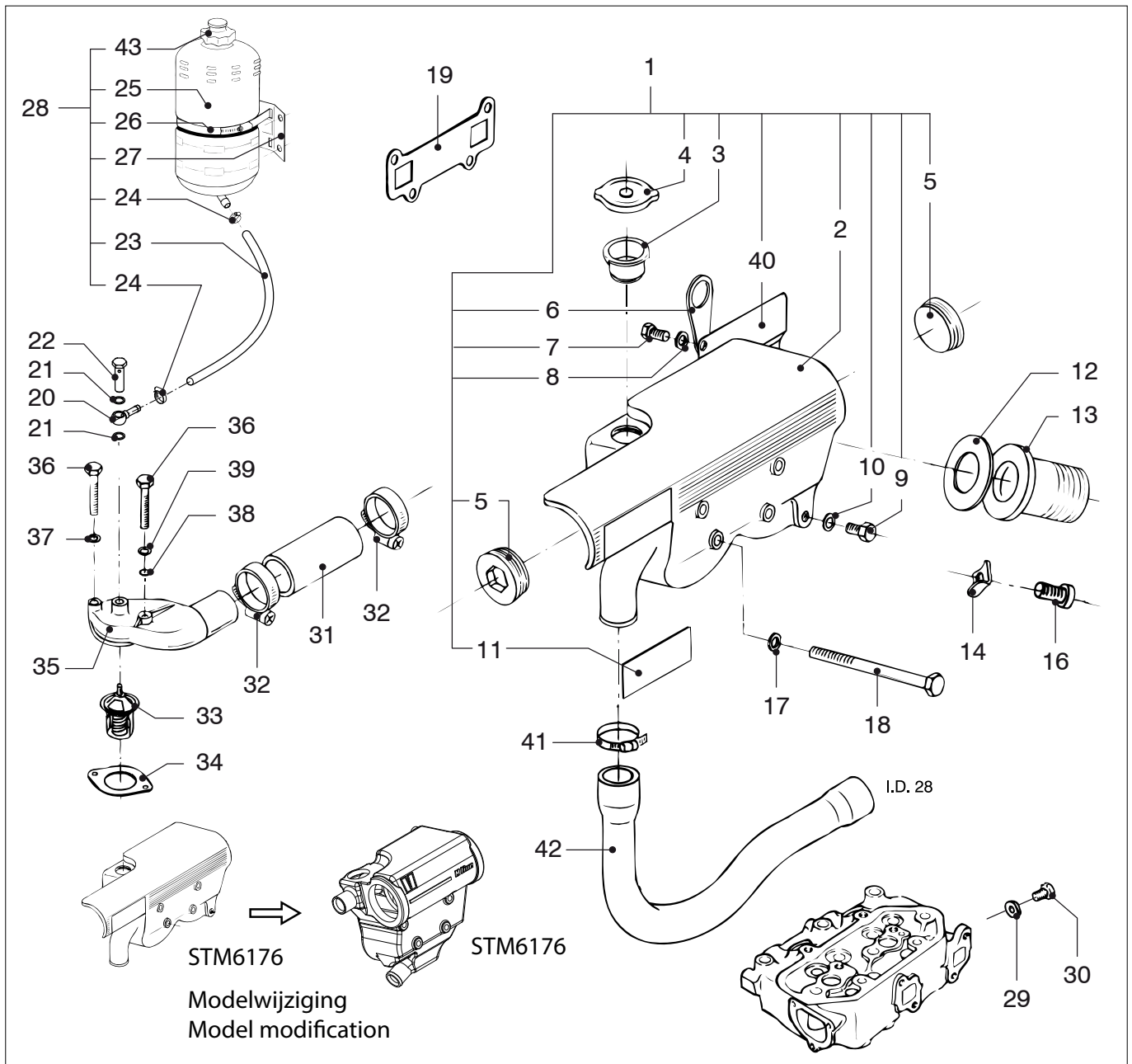
pos.	qty	part	benaming	description
1	1	STM6177	Kielkoelspruitstuk compl.	Keelcooler manifold compl.
2	1	STM6176	Kielkoelspruitstuk	Keelcooler manifold
3	1	STM3750	Vulnek	Filler neck
4	1	STM9507	Vuldop 'do not open'	Filler cap 'do not open'
5	2	STM4043	Plug G 1,5	Plug G 1.5
6	1	STM6254	Hijsoog	Lifting eye
7	1	STM3355	Bout M8x20	Bolt M8x20
8	1	STM1056	Ring	Washer
9	1	STM1059	Plug M14x1.5	Plug M14x1.5
10	2	STM1062	Ring	Washer
11	1	STM6157	Logo plaatje	Logo plate
12	1	STM6152	Pakking	Gasket
13	1	STM6179	Uitlaatflens G 1 1/4	Exhaust flange G 1 1/4
14	3	STM6126	Kikkerplaatje	Clamp plate
16	3	STM6299	Inbusbout M8x20	Allen screw M8x20
17	4	STM1019	Ring	Washer



M2.02 M2.04 M2.06 M2.C5
M2.D5 **Kielkoelspruitstuk**

Keelcooler manifold

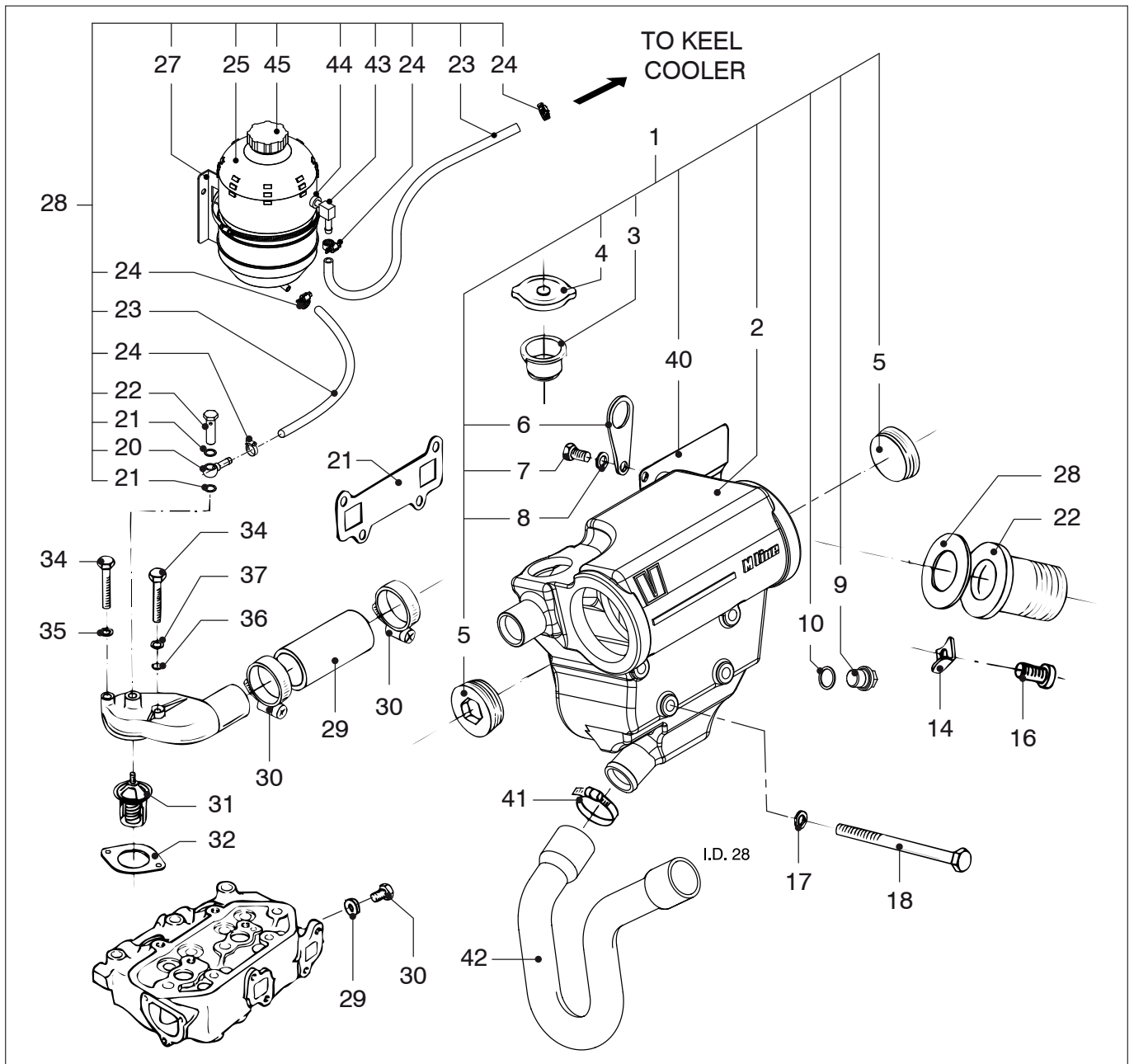
pos.	qty	part	benaming	description
18	4	STM6121	Bout M8x110	Bolt M8x110
19	1	STM6252	Pakking	Gasket
20	1	STM6198	Banjo oog	Banjo eye
21	2	STM2018	Ring	Washer
22	1	STM6199	Banjo bout	Banjo bolt
23	1	STM9504	Slang L=1,5 mtr.	Hose L=1,5 mtr.
24	2	STM9505	Slangklem	Hose clamp
25	1	STM9501	Expansie tank	Headertank
26	1	STM9503	Slangklem	Hose clamp
27	1	STM9502	Bevestigingsbeugel	Support
28	1	STM9500	Expansietank compl.	Headertank compl.
29	1	STM1007	Ring	Washer
30	1	STM3796	Bout M8x1,25x10	Bolt M8x1.25x10
31	1	STM6138	Slang	Hose
32	2	STM6116	Slangklem 26-38	Hose clamp 26-38
33	1	STM6250	Thermostaat 71°C	Thermostat 71°C



M2.02 M2.04 M2.06 M2.C5 M2.D5 Kielkoelspruitstuk

Keelcooler manifold

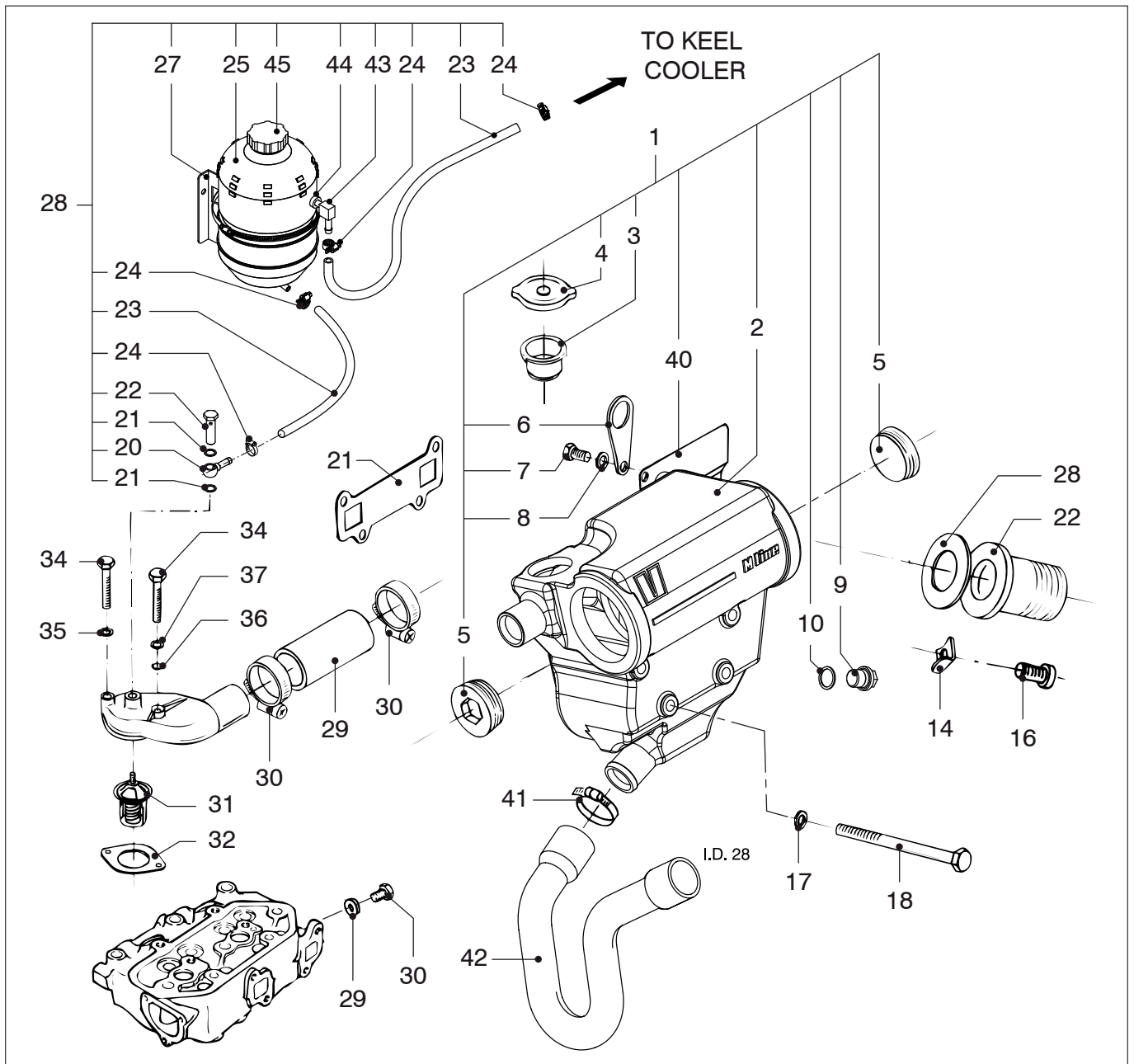
pos.	qty	part	benaming	description
34	1	STM6251	Pakking	Gasket
35	1	STM6112	Thermostaat huis	Thermostat housing
36	2	STM6155	Bolt M6x35	Bolt M6x35
37	1	STM1025	Ring	Washer
38	1	STM6118	O-ring 6x2	O-ring
39	1	STM6156	Ring	Washer
40	1	STM6236	Afschermplaat	Protection plate
41	1	STM6116	Slangklem 26-38	Hose clamp 26-38
42	1	STM6178	Slang	Hose
43	1	08-01141	Drukdop	Pressure cap



M2.02 M2.04 M2.06 M2.C5 **Kielkoelspruitstuk**
M2.13 M2.18 M2.D5

Keelcooler manifold

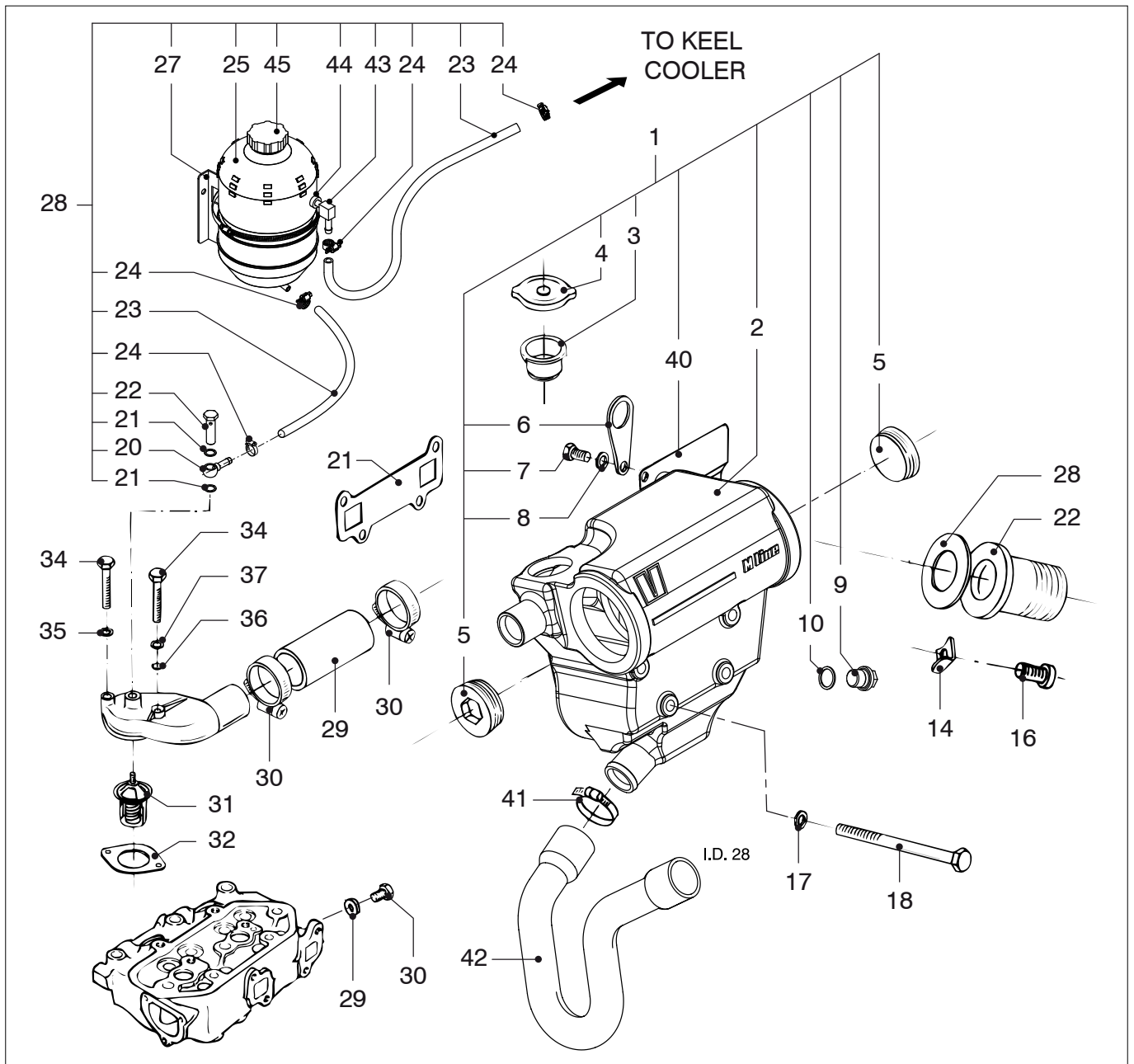
pos.	qty	part	benaming	description
1	1	STM6177	Kielkoelspruitstuk compl.	Keelcooler manifold compl.
2	1	STM6176	Kielkoelspruitstuk	Keelcooler manifold
3	1	STM3750	Vulnek	Filler neck
4	1	STM9507	Vuldop 'do not open'	Filler cap 'do not open'
5	2	STM4043	Plug G 1,5	Plug G 1.5
6	1	STM6254	Hijsoog	Lifting eye
7	1	STM3355	Bout M8x20	Bolt M8x20
8	1	STM1056	Ring	Washer
9	1	STM1059	Plug M14x1.5	Plug M14x1.5
10	2	STM1062	Ring	Washer
11	1	STM6157	Logo plaatje	Logo plate
12	1	STM6152	Pakking	Gasket
13	1	STM6179	Uitlaatflens G 1 1/4	Exhaust flange G 1 1/4
14	3	STM6126	Kikkerplaatje	Clamp plate
16	3	STM6299	Inbusbout M8x20	Allen screw M8x20
17	4	STM1019	Ring	Washer



M2.02 M2.04 M2.06 M2.C5 Kielkoelspruitstuk
M2.13 M2.18 M2.D5

Keelcooler manifold

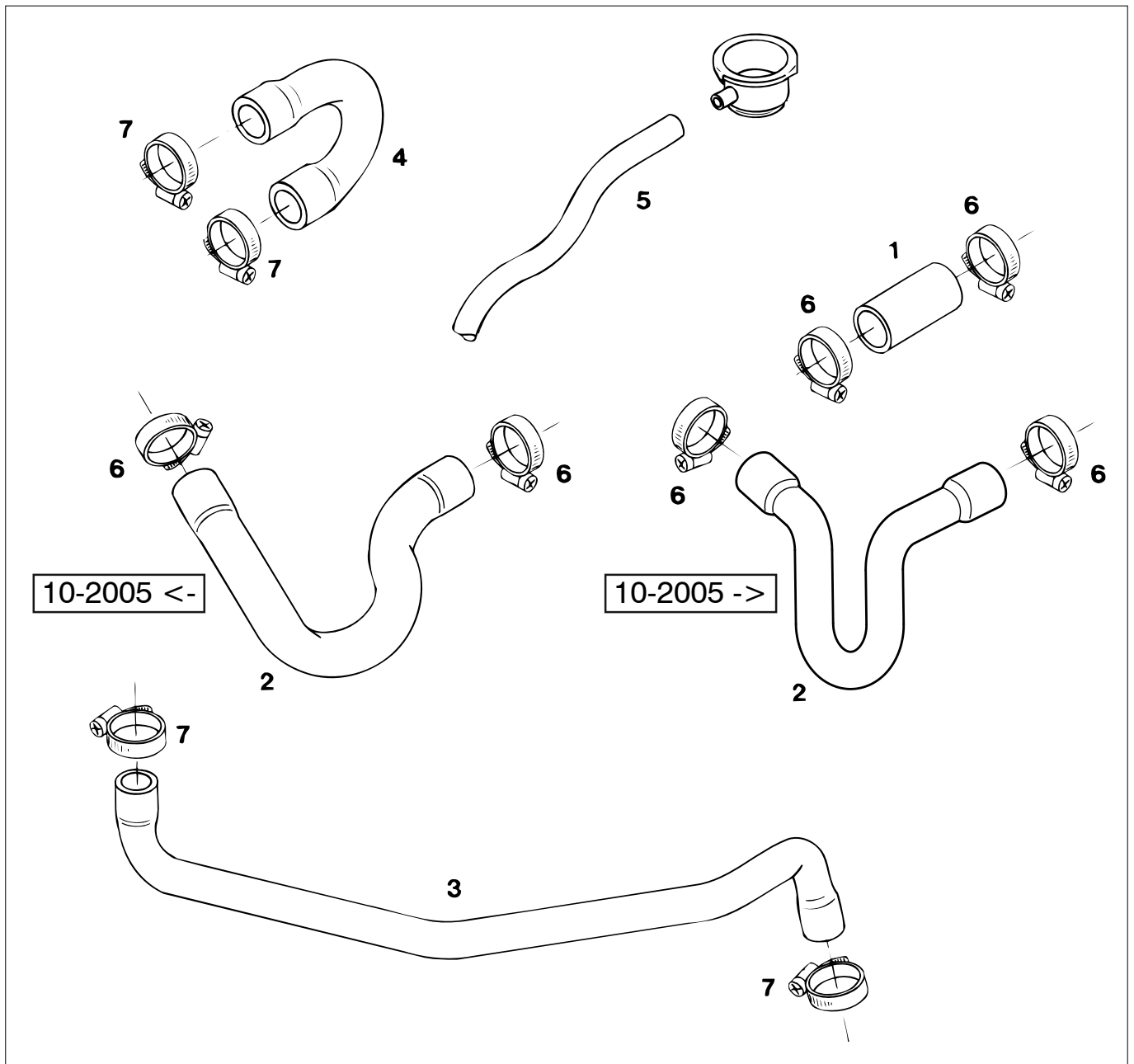
pos.	qty	part	benaming	description
18	4	STM6121	Bout M8x110	Bolt M8x110
19	1	STM6252	Pakking	Gasket
20	1	STM6198	Banjo oog	Banjo eye
21	2	STM2018	Ring	Washer
22	1	STM6199	Banjo bout	Banjo bolt
23	2	STM9504	Slang L=1,5 mtr.	Hose L=1,5 mtr.
24	4	STM9505	Slangklem mini 14	Hose clamp mini 14
25	1	STM9513	Expansie tank	Headertank
26	1	STM9503	Slangklem	Hose clamp
27	1	STM9502	Bevestigingsbeugel	Support
28	1	STM9514	Expansietank compl.	Headertank compl.
29	1	STM1007	Ring	Washer
30	1	STM3796	Bout M8x1,25x10	Bolt M8x1.25x1
31	1	STM6138	Slang	Hose
32	2	STM6116	Slangklem 26-38	Hose clamp 26-38
33	1	STM6250	Thermostaat 71°C	Thermostat 71°C



M2.02 M2.04 M2.06 M2.C5 **Kielkoelspruitstuk**
M2.13 M2.18 M2.D5

Keelcooler manifold

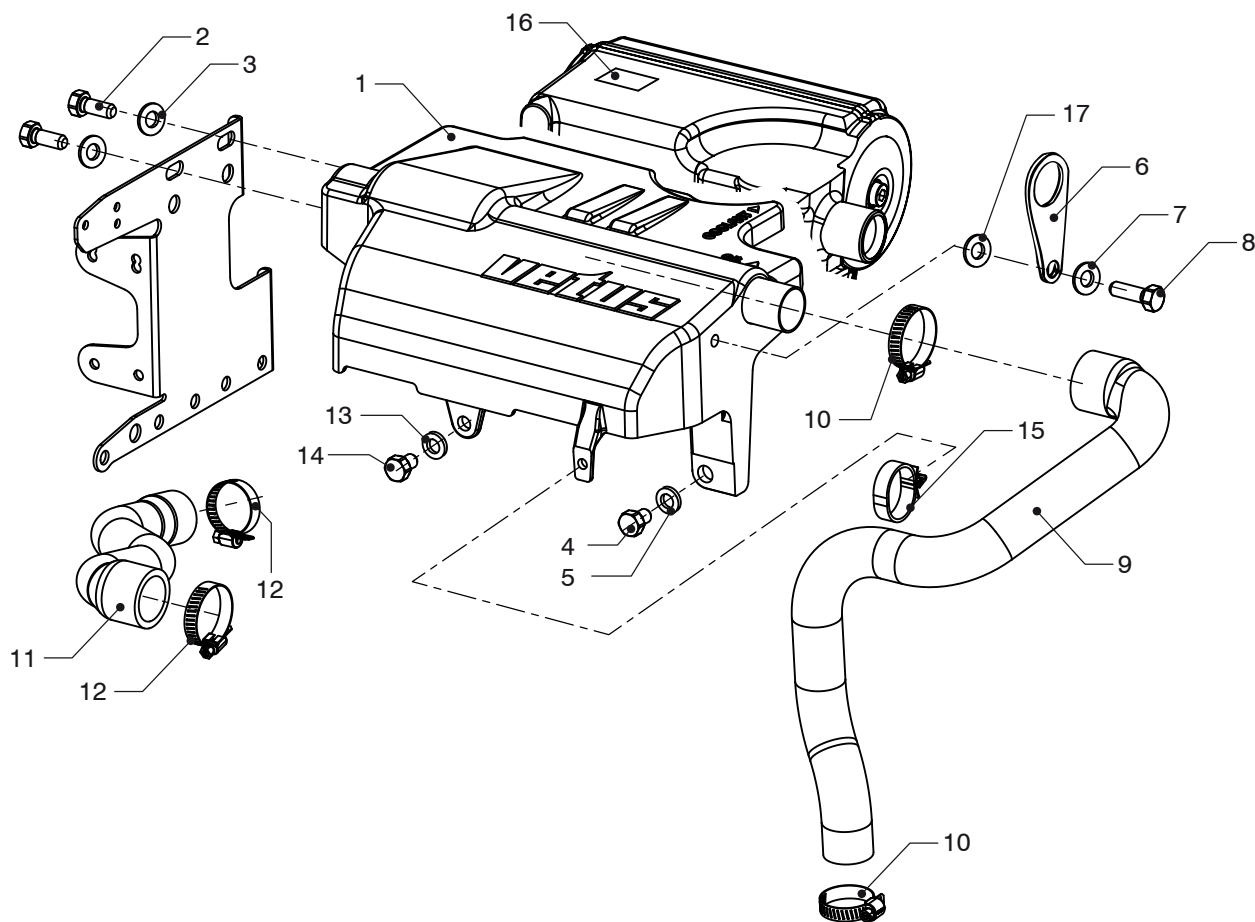
pos.	qty	part	benaming	description
34	1	STM6251	Pakking	Gasket
35	1	STM6112	Thermostaat huis	Thermostat housing
36	2	STM6155	Bolt M6x35	Bolt M6x35
37	1	STM1025	Ring	Washer
38	1	STM6118	O-ring 6x2	O-ring
39	1	STM6156	Ring	Washer
40	1	STM6236	Afschermplaat	Protection plate
41	1	STM6116	Slangklem 26-38	Hoseclamp 26-38
42	1	STM6178	Slang	Hose
43	1	STM9512	Slangpilaar	Hose pillar
44	1	STM9511	Tule	Grommet
45	1	08-01141	Drukdop	Pressure cap



M2.02 M2.04 M2.06 M2.C5 M2.D5 **Slangen**

Hoses

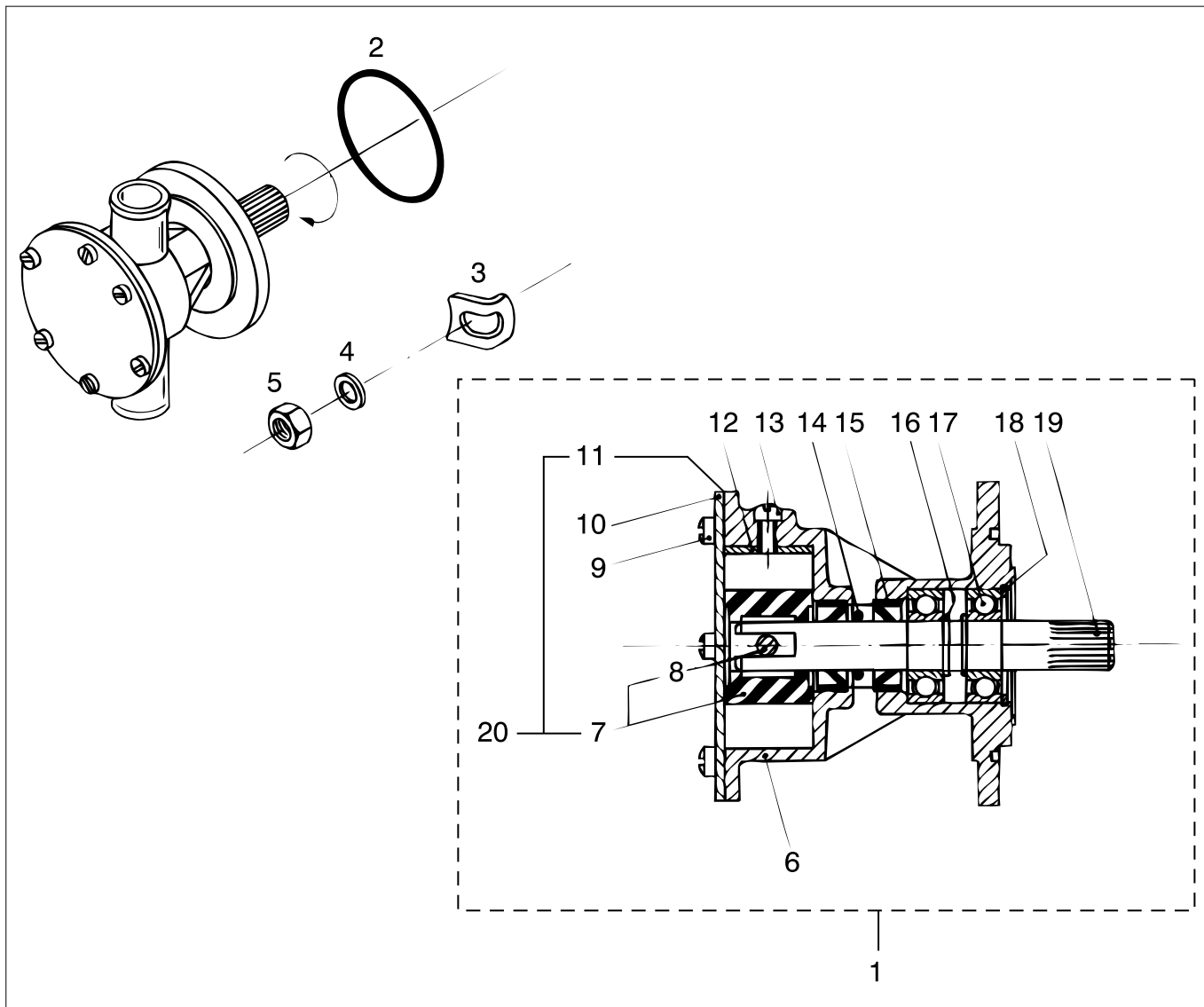
pos.	qty	part	benaming	description
1	1	STM6138	Slang	Hose
2	1	STM6178	Slangbocht Binnenwater	Hose bend coolant
3	1	STM6123	Slangbocht buitenwater	Hose bend raw water
4	1	STM6124	Slangbocht uitlaat	Hose bend exhaust
5	1	STM1027	Slang vulnek	Hose filler neck
6	4	STM6116	Slangklem 26-38	Hose clamp 26-38
7	4	STM2012	Slangklem 19-28	Hose clamp 19-28



Bovenkap

Upper cover

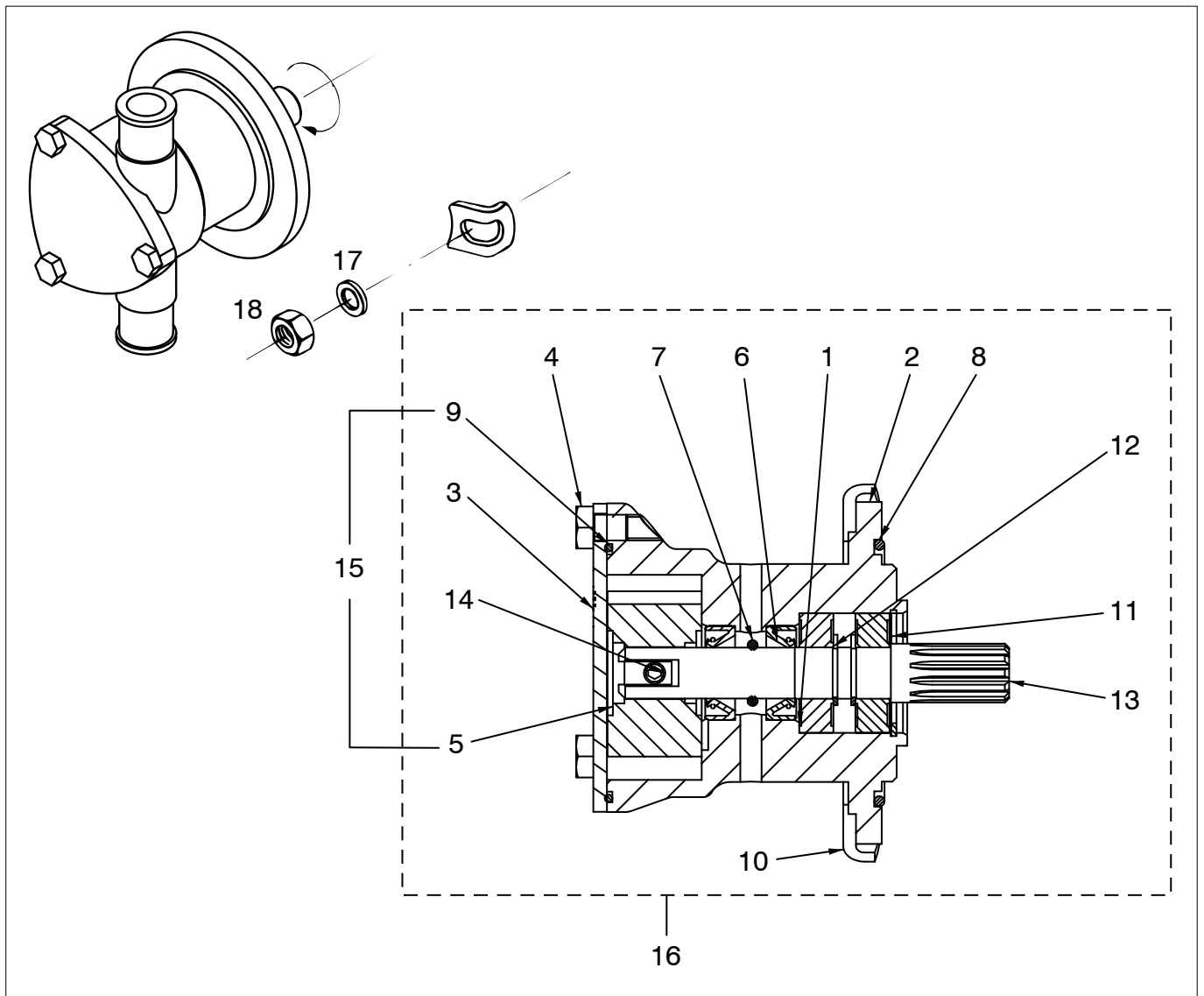
pos.	qty	M2.13 part	M2.18 benaming	description
1	1	08-01285	Bovenkap M2	Upper cover M2
2	2	STM4055	Bout M8x16	Bolt M8x16
3	2	STM1019	Gegolfde veerring M8	Wave spring washer M8
4	1	STM3355	Bout M8x20	Bolt M8x20
5	1	STM1019	Gegolfde veerring M8	Wave spring washer M8
6	1	STM6254	Hijsoog	Lifting eye
7	1	STM1019	Gegolfde veerring M8	Wave spring washer M8
8	1	STM7059	Bout M8x30	Bolt M8x30
9	1	08-01280	Slang buitenwaterpomp	Hose sea water pump
10	2	STM2012	Slangklem 19-28	Hose clamp 19-28
11	1	08-01281	Slang aansluitdeksel	Hose connection cover
12	2	STM2012	Slangklem 19-28	Hose clamp 19-28
13	1	STM1019	Gegolfde veerring M8	Wave spring washer M8
14	1	STM4055	Bout M8x16	Bolt M8x16
15	1	08-01320	Klem	Clip
16	1	08-01355	Motortypeplaat	Engine type plate
17	1	08-01371	Ring	Washer



**M2.04 M2.06 M2.C5 Zeewaterpomp
M2.D5**

Seawater pump

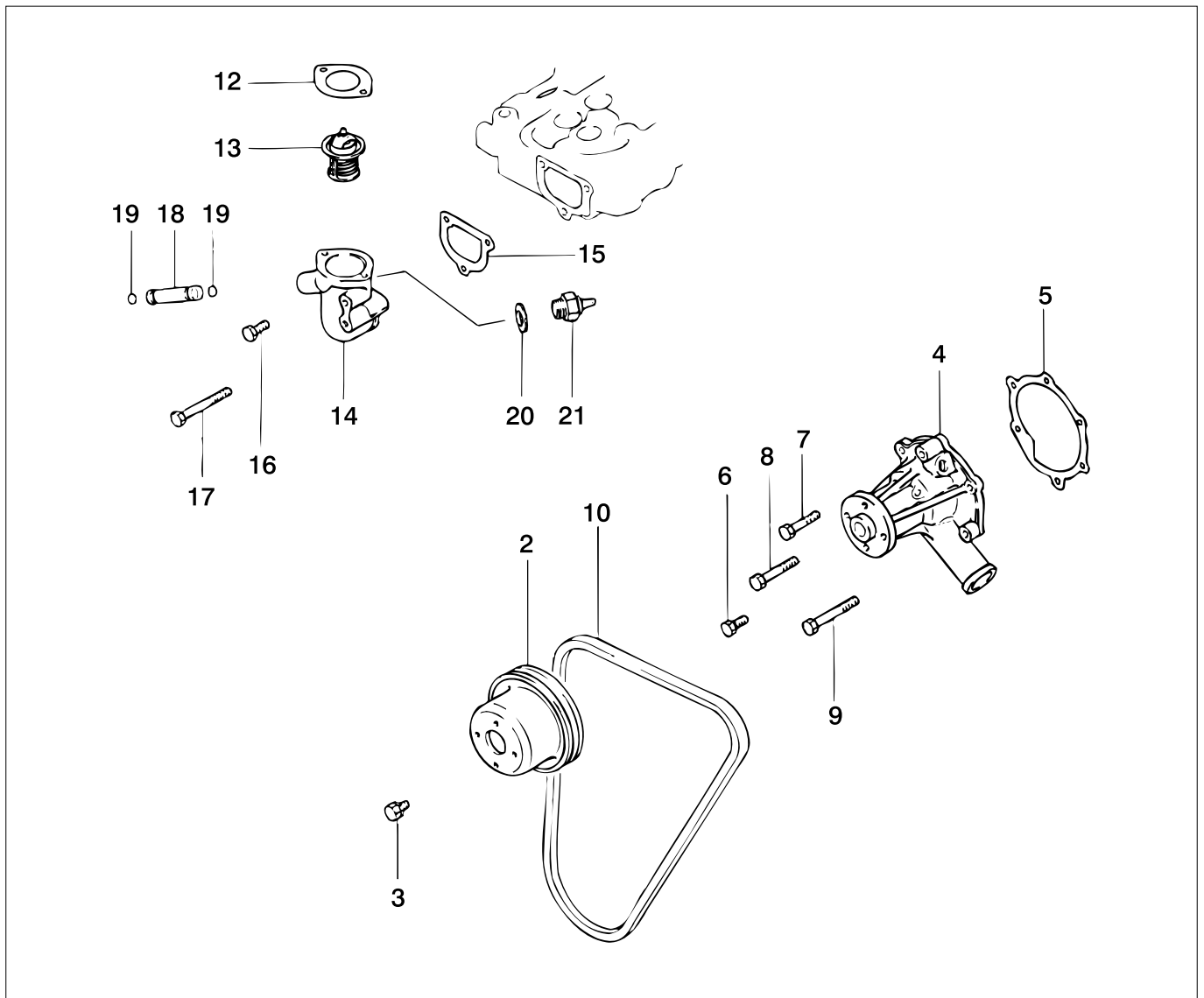
pos.	qty	part	benaming	description
1	1	STM6109	Pomp 1/2 Kam.	Pump 1/2 cam.
2	1	STM6127	O-ring	O-ring
3	4	STM6126	Kikkerplaatje	Clamp plate
4	4	STM1056	Ring	Washer
5	4	STM2005	Moer M8	Nut M8
6	1	STM6160	Huis	Housing
7	1	STM8061	Impeller+schroef	Impeller+screw
8	1	STM6162	Schroef	Screw
9	6	STM6163	Schroef	Screw
10	1	STM6164	Deksel	Cover
11	1	STM8002	Pakking	Gasket
12	1	STM6166	Kam 1/2 (2 mm)	Cam 1/2 (2 mm)
13	1	STM6167	Schroef	Screw
14	1	STM6168	O-ring	O-ring
15	2	STM6169	Keerring	Lip seal
16	2	STM6170	Borgring	Retaining ring
17	2	STM6171	Lager	Bearing
18	1	STM6172	Borgring	Retaining ring
19	1	STM6173	As	Shaft
20	1	STM6174	Rep. set 7+11	Repair kit 7+11



M2.02 M2.06 M2.C5 Zeewaterpomp
M2.13 M2.18 M2.D5

Seawater pump

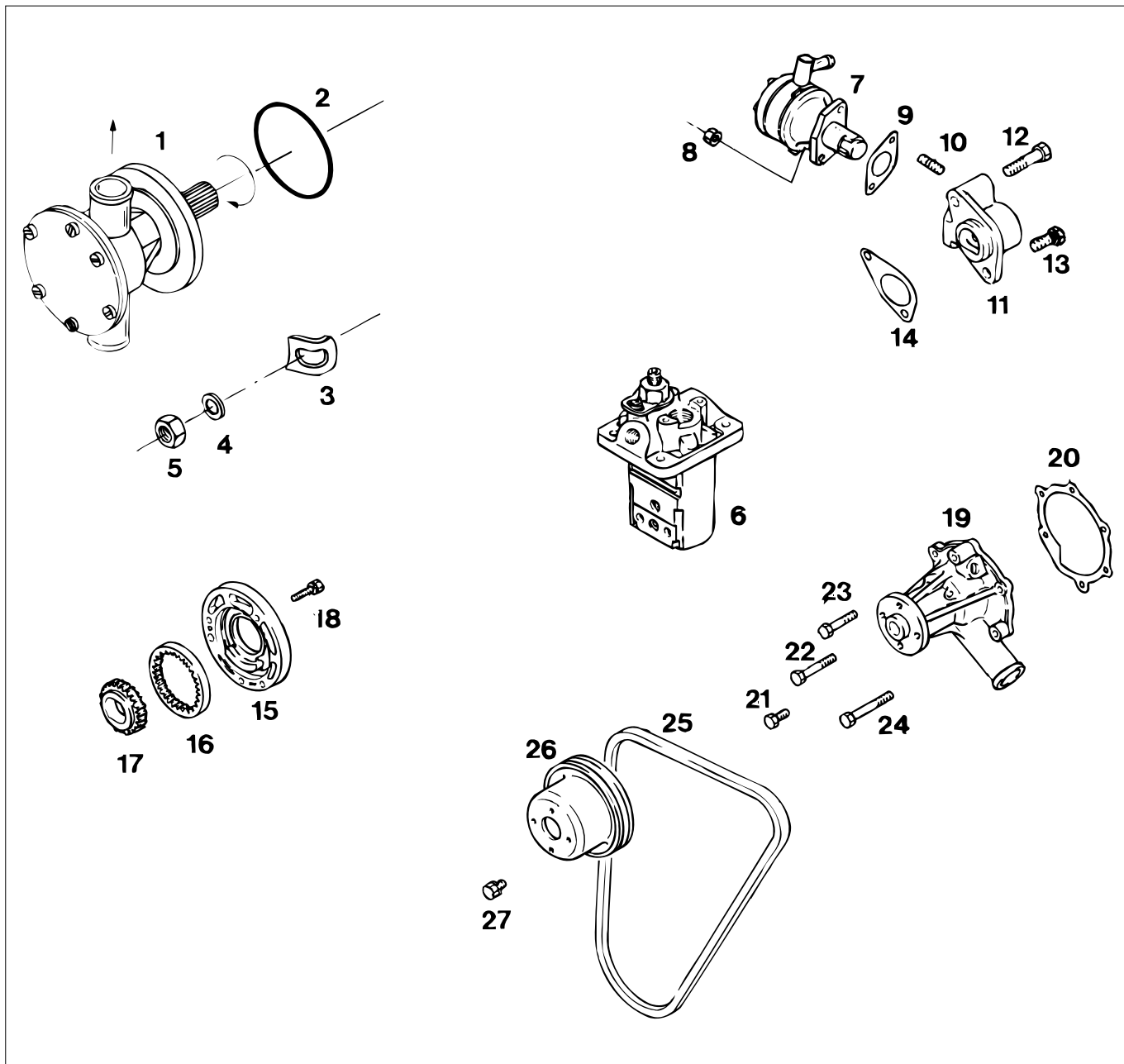
pos.	qty	part	benaming	description
1	2	STM6171	Lager	Bearing
2	1	STM6249	Huis 1/2 kam	Housing 1/2 cam
3	1	STM7688	Deksel	Cover
4	3	STM7689	Schroef	Screw
5	1	STM6161	Impeller	Impeller
6	2	STM6169	Keerring	Lip seal
7	1	STM6168	O-ring	O-ring
8	1	STM6127	O-ring	O-ring
9	1	STM7696	O-ring	O-ring
10	4	STM6126	Kikkerplaatje	Clamp plate
11	1	STM6172	Borgring	Retaining ring
12	2	STM6170	Borgring	Retaining ring
13	1	STM6173	As	Shaft
14	1	STM6162	Schroef	Screw
15	1	STM7691	Rep.set 5+9	Repair kit 5+9
16	1	STM6109	Pomp 1/2 kam	Pump 1/2 cam
17	4	STM1056	Veerring M8	Spring washer M8
18	4	STM2005	Moer M8	Nut M8



M2.02 M2.04 M2.06 M2.C5 Circulatiepomp
M2.13 M2.18 M2.D5

Circulation pump

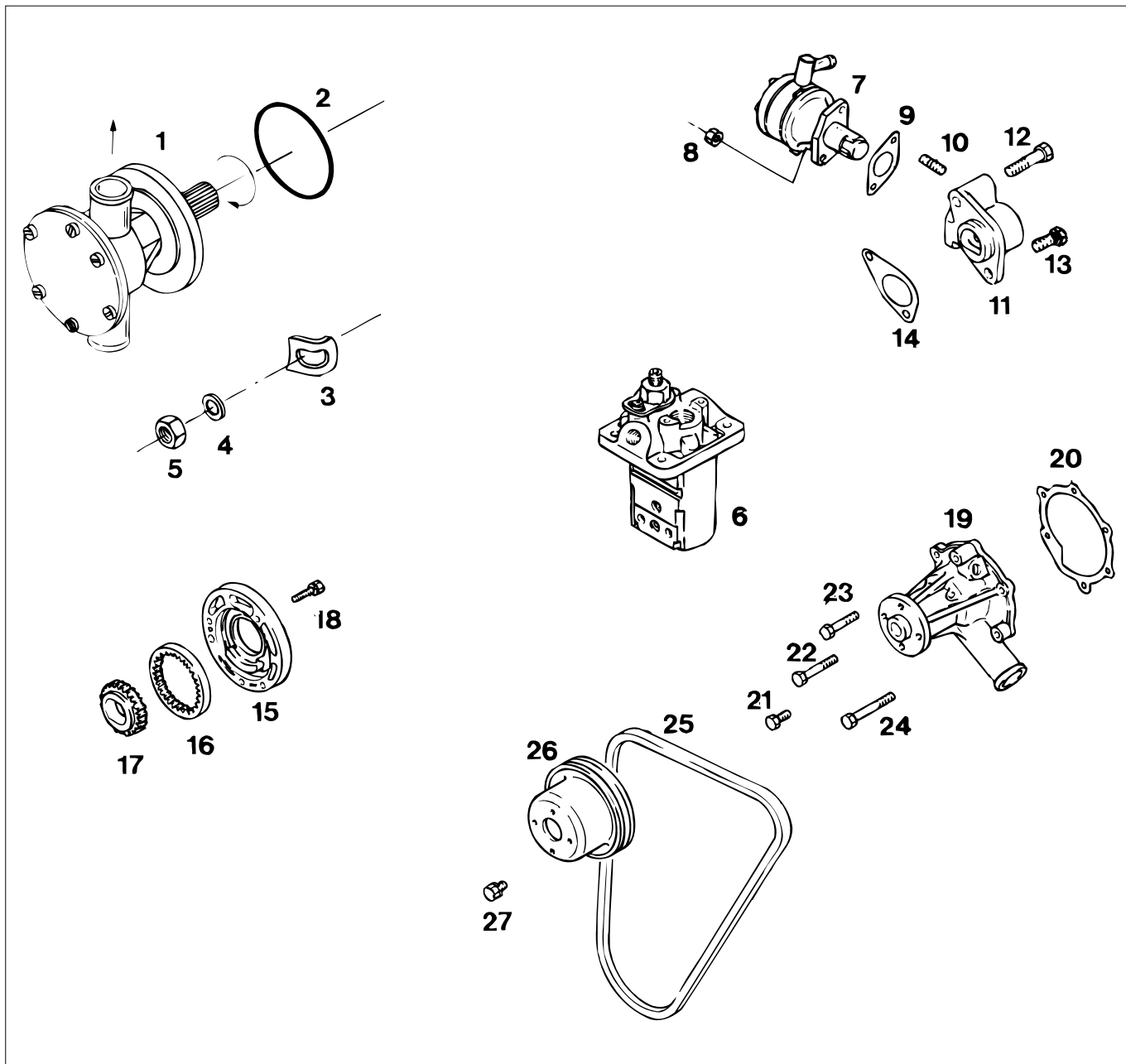
pos.	qty	part	benaming	description
2	1	STM1227	Pulley waterpomp	Pulley water pump
3	4	STM1228	Bout	Bolt
4	1	STM1229	Pomp	Pump assy
5	1	STM1230	Pakking	Gasket
6	2	STM1231	Bout	Bolt
7	1	STM6155	Bout	Bolt
8	1	STM1232	Bout	Bolt
9	2	STM1233	Bout	Bolt
10	1	STM6263	V-snaar L=905 mm, 40 A dynamo	V-belt L=905 mm, 40 A dynamo
	1	STM7439	V-snaar L=925 mm, 75 A dynamo	V-belt L=925 mm, 75 A dynamo
12	1	STM6251	Pakking	Gasket
13	1	STM6250	Thermostaat 71°C	Thermostat 71°C
14	1	STM1234	Houder	Fitting
15	1	STM1235	Pakking	Gasket
17	1	STM1236	Bout	Bolt
18	1	STM1237	Pijp	Pipe
19	2	STM1238	O-ring	O-ring
20	1	STM6269	Afdichtring	Seal washer
21	1	STM6268	Temperatuur schakelaar 111°C binnenwater M16x1,5 1p	Thermo switch 111°C coolant M16x1.5 1p



M2.02 M2.04 M2.06 M2.C5
M2.D5 **Pompen**

Pumps

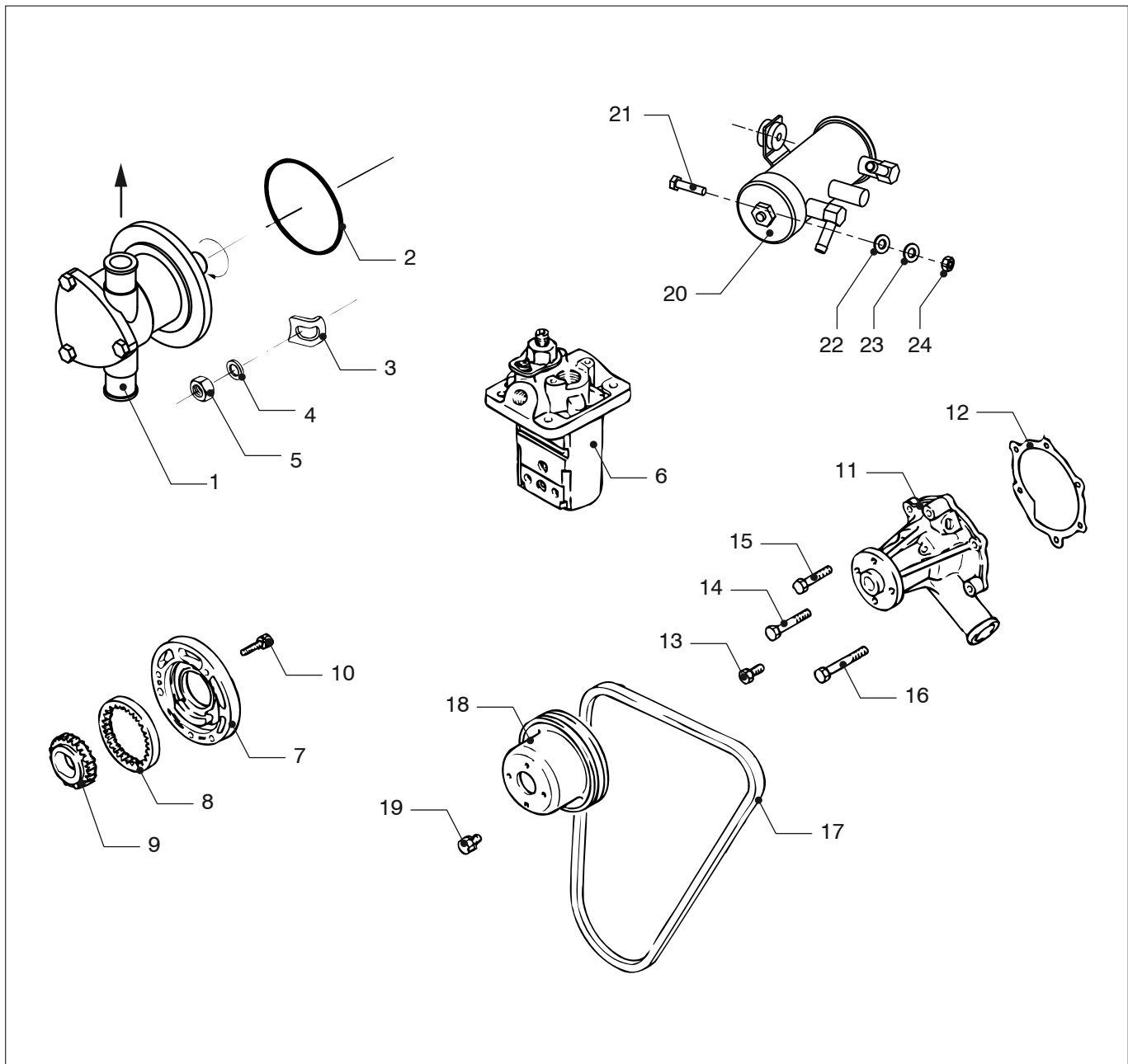
pos.	qty	part	benaming	description
1	1	STM6109	Zeewaterpomp	Seawater pump
2	1	STM6127	O-ring	O-ring
3	4	STM6126	Kikkerplaatje	Clamp plate
4	4	STM1019	Ring	Washer
5	4	STM2005	Moer M8	Nut M8
6	1	STM1426	Brandstofpomp M2.06	Fuel pump M2.06
	1	STM1427	Brandstofpomp M2.04	Fuel pump M2.04
	1	STM1098	Brandstofpomp M2.C5/M2.D5	Fuel pump M2.C5/M2.D5
7	1	STM1127	Brandstofopvoerpomp	Fuel lifting pump
8	2	STM3260	Moer M6	Nut M6
9	1	STM1128	Pakking	Gasket
10	2	STM1130	Tapeind M6x14	Stud M6x14
11	1	STM1129	Adaptor	Adaptor
12	1	STM2258	Bout M8x45	Bolt M8x45
13	1	STM3255	Bout M8x20	Bolt M8x20
14	1	STM1114	Pakking	Gasket



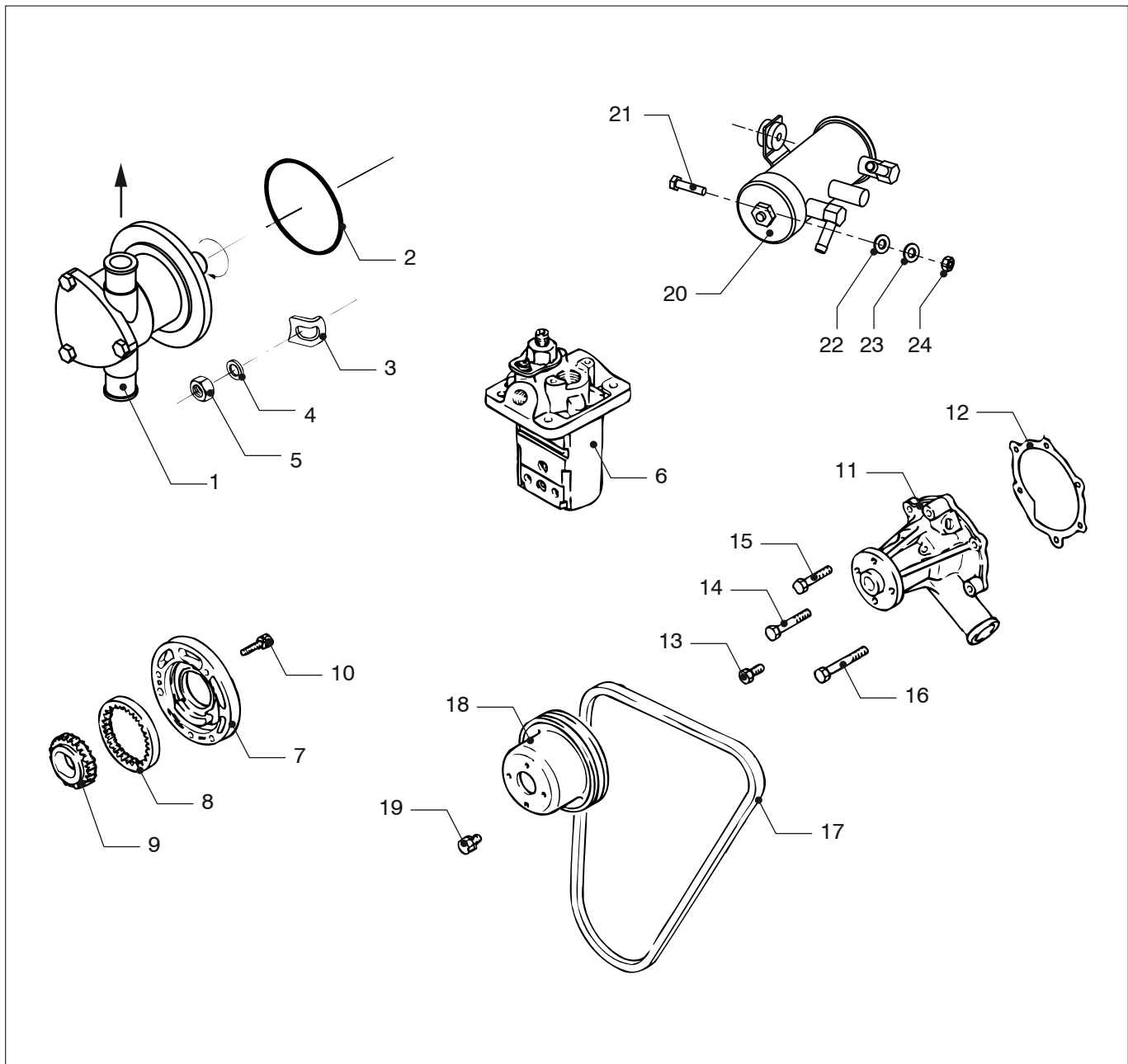
M2.02 M2.04 M2.06 M2.C5 **Pompen**
M2.D5

Pumps

pos.	qty	part	benaming	description
15	1	STM1145	Oliepomp huis	Oil pump housing
16	1	STM1144	Tandwiel buiten	Gear outer
17	1	STM1143	Tandwiel binnen	Gear inner
18	3	STM2260	Bout M6x30	Bolt M6x30
19	1	STM1229	Waterpomp binnenwater	Waterpump coolant
20	1	STM1230	Pakking	Gasket
21	2	STM1231	Bout M6x18	Bolt M6x18
22	1	STM6155	Bout M6x35	Bolt M6x35
23	1	STM1232	Bout M6x45	Bolt M6x45
24	2	STM1233	Bout M6x55	Bolt M6x55
25	1	STM6263	V-snaar L=905 mm, 40 A dynamo	V-belt L=905 mm, 40 A dynamo
	1	STM7439	V-snaar L=925 mm, 75 A dynamo	V-belt L=925 mm, 75 A dynamo
26	1	STM1227	Pulley waterpomp	Pulley waterpump
27	4	STM1228	Bout M6x12	Bolt M6x12



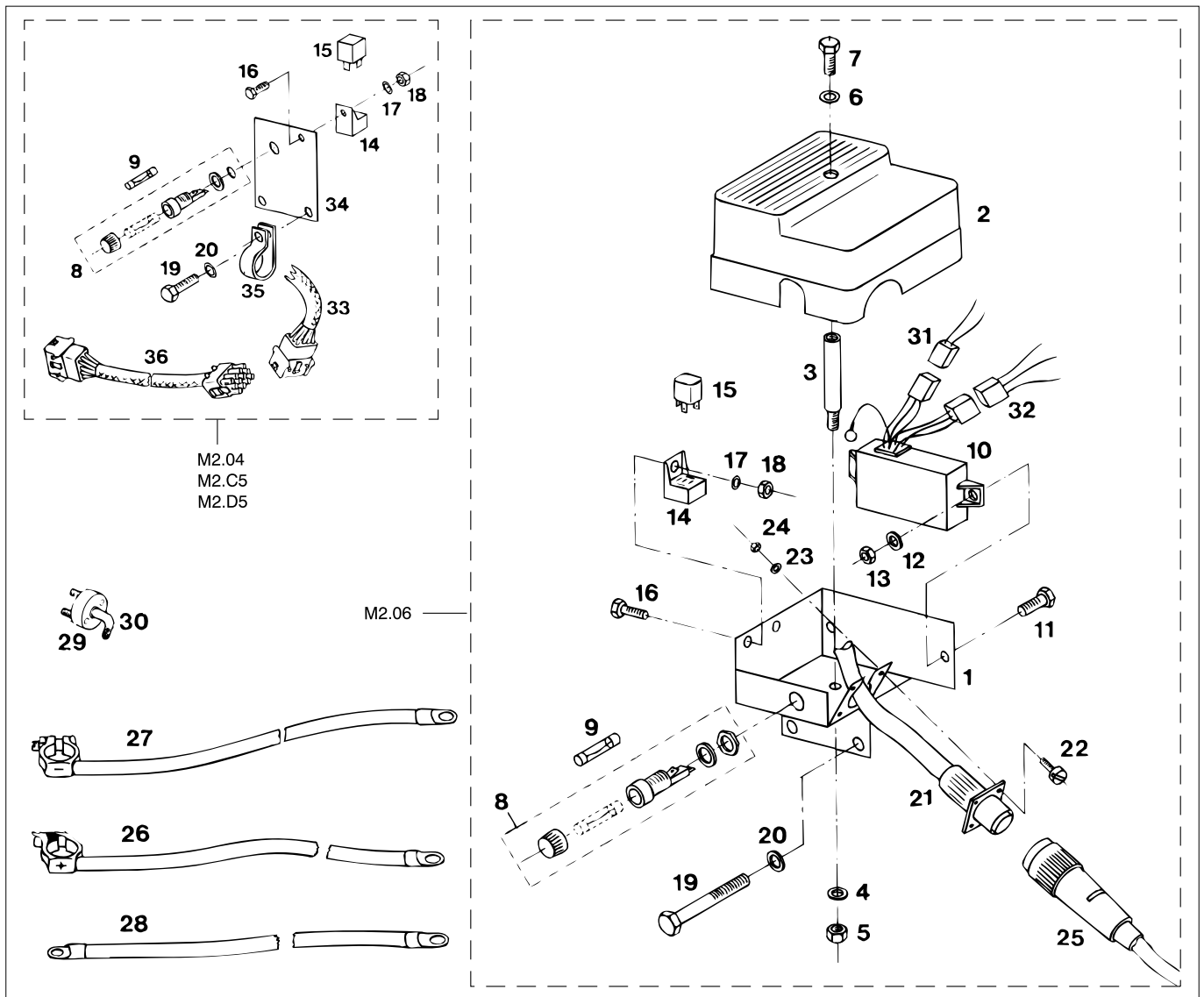
M2.13		M2.18		Pompen	Pumps
pos.	qty	part	benaming	description	
1	1	STM6109	Zeewaterpomp	Seawater pump	
2	1	STM6127	O-ring	O-ring	
3	4	STM6126	Kikkerplaatje	Clamp plate	
4	4	STM1019	Ring	Washer	
5	4	STM2005	Moer M8	Nut M8	
6	1	STM1426	Brandstofpomp M2.13/M2.18	Fuel pump M2.13/M2.18	
7	1	STM1145	Oliepomp huis	Oil pump housing	
8	1	STM1144	Tandwiel buiten	Gear outer	
9	1	STM1143	Tandwiel binnen	Gear inner	
10	3	STM2260	Bout M6x30	Bolt M6x30	
11	1	STM1229	Waterpomp binnenwater	Waterpump coolant	
12	1	STM1230	Pakking	Gasket	
13	2	STM1231	Bout M6x18	Bolt M6x18	
14	1	STM6155	Bout M6x35	Bolt M6x35	
15	1	STM1232	Bout M6x45	Bolt M6x45	
16	2	STM1233	Bout M6x55	Bolt M6x55	



Pompen

Pumps

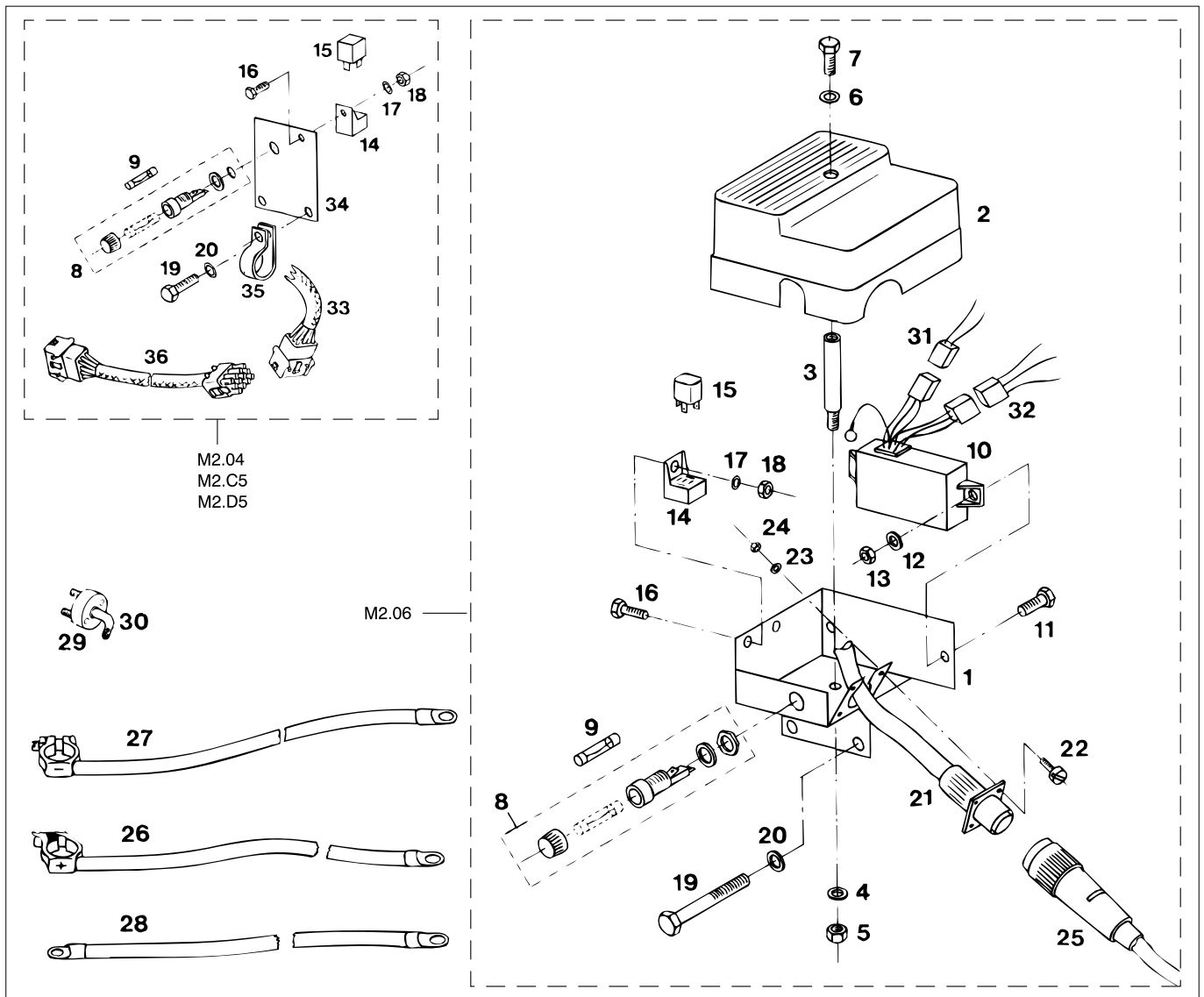
M2.13	M2.18			
pos.	qty	part	benaming	description
17	1	STM7439	V-snaar L=925 mm, 75 A dynamo	V-belt L=925 mm, 75 A dynamo
18	1	STM1227	Pulley waterpomp	Pulley water pump
19	4	STM1228	Bout M6x12	Bolt M6x12
20	1	08-01297	Elektrische brandstofopvoerpomp	Electric fuel lift pump
21	2	STM8372	Bout M6x25	Bolt M6x25
22	2	STM8726	Sluitring M6	Plain washer M6
23	2	STM1025	Gegolfde veerring M6	Wave spring washer M6
24	2	STM8569	Moer M6	Nut M6



M2.04 M2.06 M2.C5 **Bedradingskast, 2001 <-**
M2.D5

Terminal box, 2001 <-

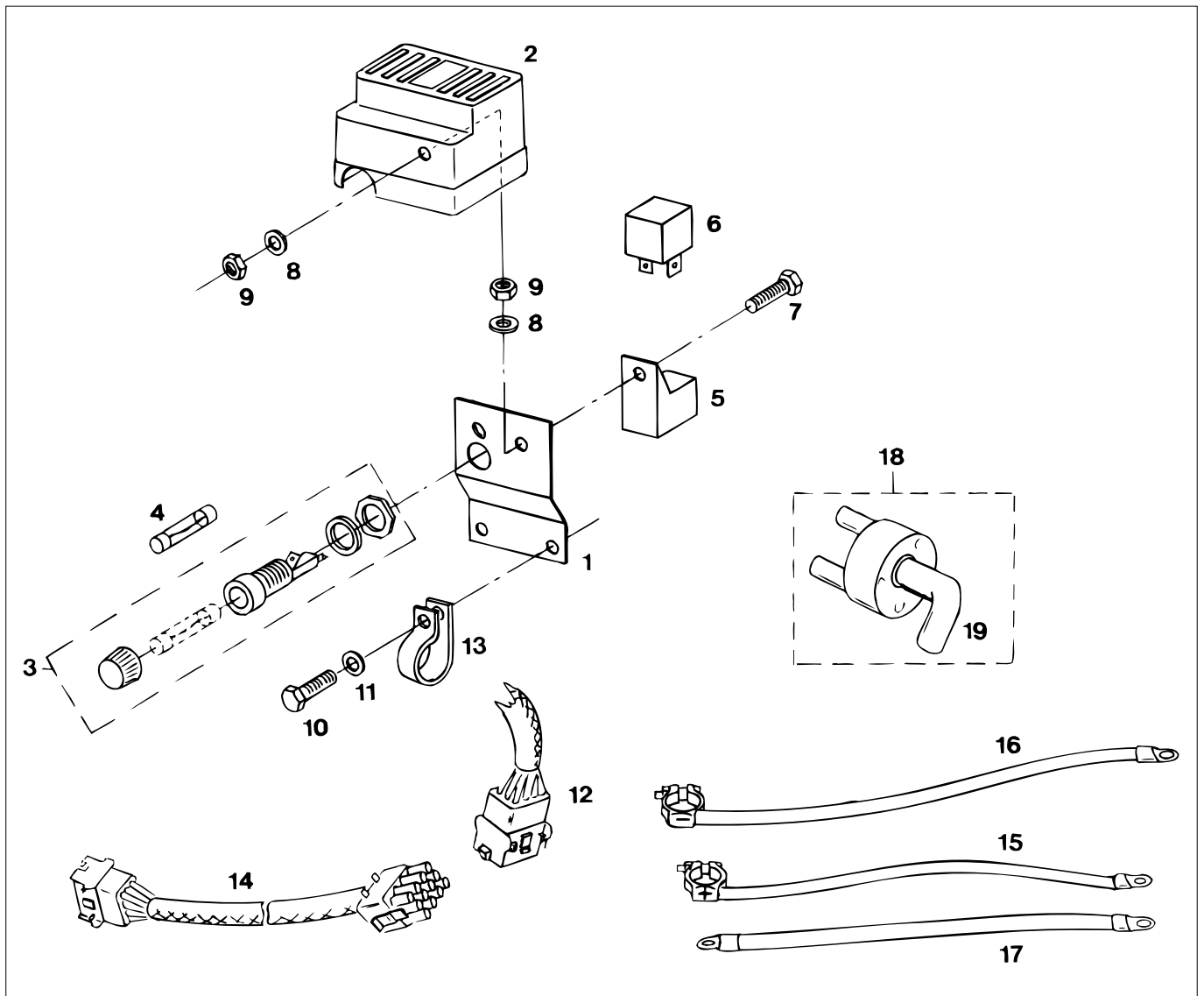
pos.	qty	part	benaming	description
1	1	STM6134	Bedradingssteun	Wiring support
2	1	STM6135	Deksel	Cover
3	1	STM6146	Afstandhouder	Distance piece
4	1	STM1707	Ring	Washer
5	1	STM1705	Moer M5	Nut M5
6	1	STM1025	Ring	Washer
7	1	STM9063	Bout M5x10	Bolt M5x10
8	1	STM9184	Zekeringhouder	Fuse support
9	1	STM9185	Zekering 10A traag ø6,3x32	Fuse 10A slow ø6,3x32
10	1	STM6253	Stoptimer	Control timer
11	2	STM1030	Bout M6x20	Bolt M6x20
12	2	CT40029	Ring	Washer
13	2	STM3260	Moer M6	Nut M6
14	1	STM9052	Insteekvoet	Relay foot
15	1	STM9050	Relais	Relay
16	1	STM9063	Bout M5x10	Bolt M5x10
17	1	STM1707	Ring	Washer
18	1	STM1705	Moer M5	Nut M5
19	2	STM3355	Bout M8x20	Bolt M8x20
20	2	STM1019	Ring	Washer



M2.04 M2.06 M2.C5 **Bedradingskast, 2001 <-**
M2.D5

Terminal box, 2001 <-

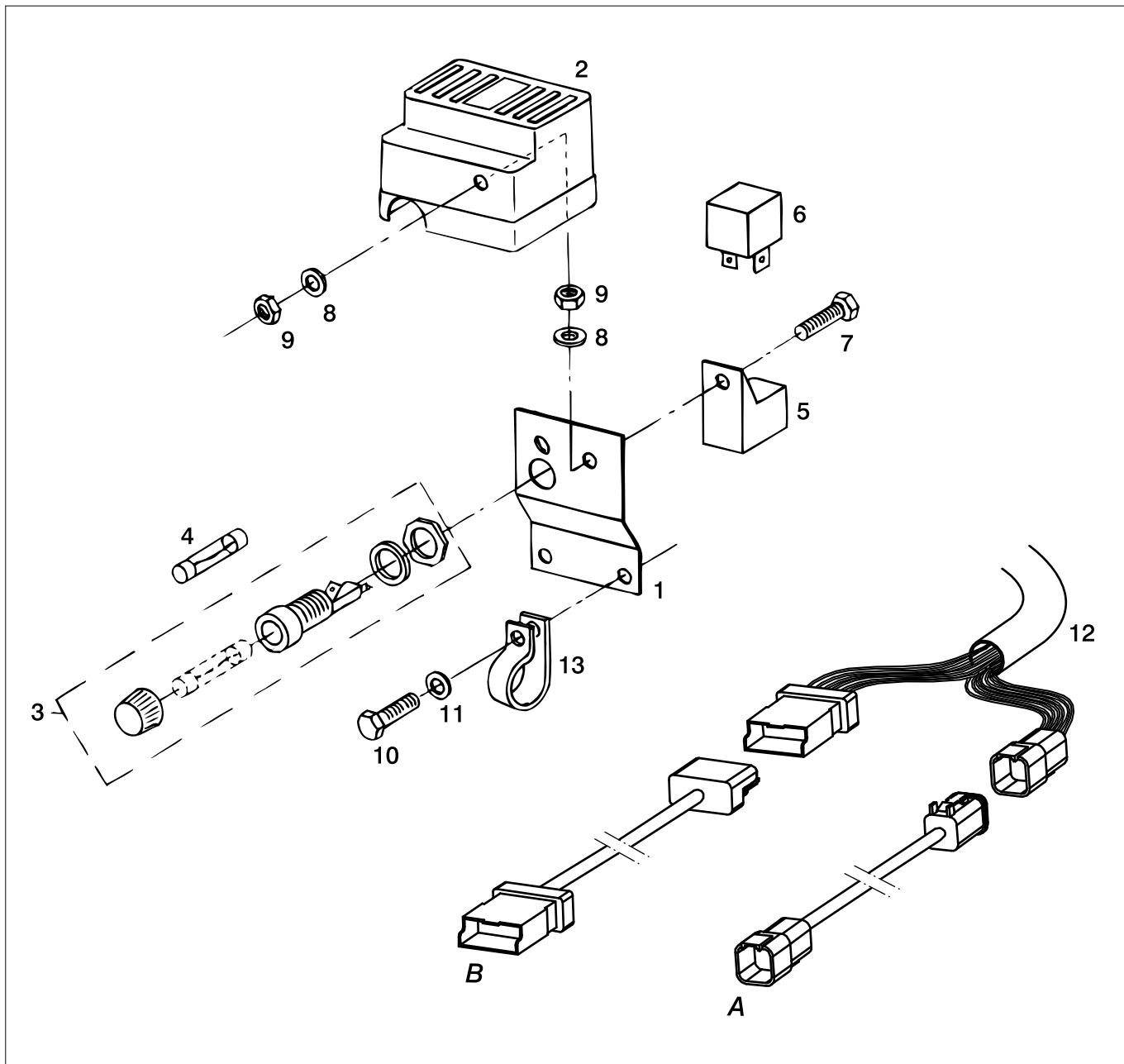
pos.	qty	part	benaming	description
21	1	STM6203	Motorbedrading	Engine wiring
22	4	STM6145	Bout M3x16	Bolt M3x16
23	4	STM6143	Ring	Washer
24	4	STM6144	Moer M3	Nut M3
25	1	STM6222	Tussenkabel 2 mtr. std.	Connection cable 2 mtr. std.
	1	STM6223	Tussenkabel 4 mtr.	Connection cable 4 mtr.
	1	STM6224	Tussenkabel 6 mtr.	Connection cable 6 mtr.
	1	STM6225	Tussenkabel 12 mtr.	Connection cable 12 mtr.
26	1	STM3714	+ Accukabel	+ Battery cable
27	1	STM3715	- Accukabel	- Battery cable
28	1	STM3713	Tussenkabel	Intermediate loom
29	1	STM3712	Hoofdschakelaar	Main switch
30	1	STM3762	Steutel	Key
31	1	STM6275	Stekkerhuls	Connector
32	1	STM6276	Stekkerhuls	Connector
33	1	STM6229	Motorbedrading	Engine Wiring
34	1	STM6231	Bevestigingspl.	Support
35	1	STM3066	Leidingklem	Pipe Clamp
36	1	STM9056	Tussenkabel 2mtr.	Connection Cable 2mtr



M2.04 M2.06 M2.C5 **Bedradingskast, 2001 <-**
M2.D5

Terminal box, 2001 <-

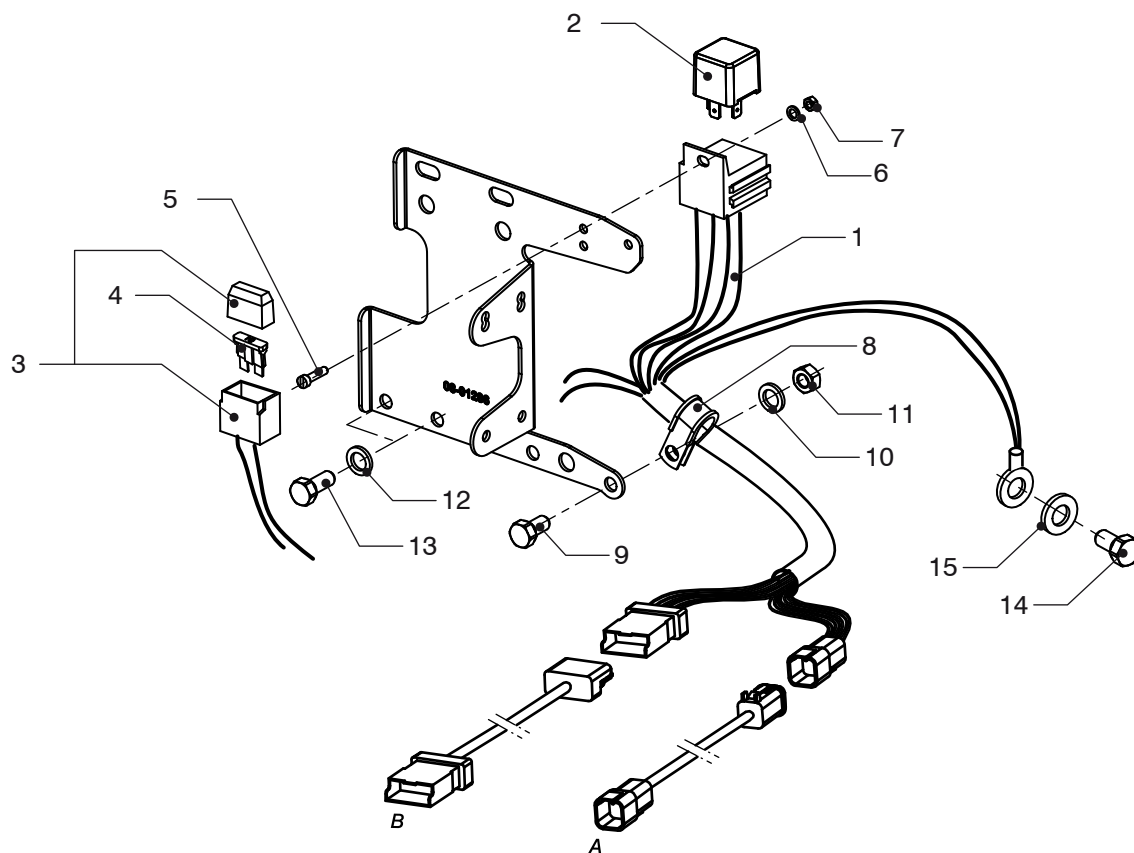
pos.	qty	part	benaming	description
1	1	STM6246	Bedradingssteun	Wiring support
2	1	STM6248	Deksel	Cover
3	1	STM9184	Zekeringhouder	Fuse support
4	1	STM9185	Zekering 10A traag ø6,3x32	Fuse 10A slow ø6,3x32
5	1	STM9052	Insteekvoet	Relay foot
6	1	STM9050	Relais	Relay
7	1	CT40075	Bout M5x16	Bolt M5x16
8	2	STM8177	Gegolfde veerring M5	Wave spring washer M5
9	2	STM1705	Moer M5	Nut M5
10	2	STM3355	Bout M8x20	Bolt M8x20
11	2	STM1019	Ring	Washer
12	1	STM6229	Motorbedrading	Engine Wiring
13	1	STM3066	Leidingklem	Pipe Clamp
14	1	STM9056	Tussenkabel 2mtr.	Connection Cable 2mtr
15	1	STM3714	+ Accukabel	+ Battery cable
16	1	STM3715	- Accukabel	- Battery cable
17	1	STM3713	Tussenkabel	Intermediate loom
18	1	STM3712	Hoofdschakelaar	Main switch
19	1	STM3762	Steutel	Key



M2.02 M2.04 M2.06 M2.C5
M2.D5 **Bedradingskast, 2001 -> - 2014 <-**

Terminal box,2001 -> - 2014 <-

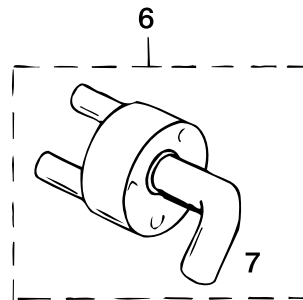
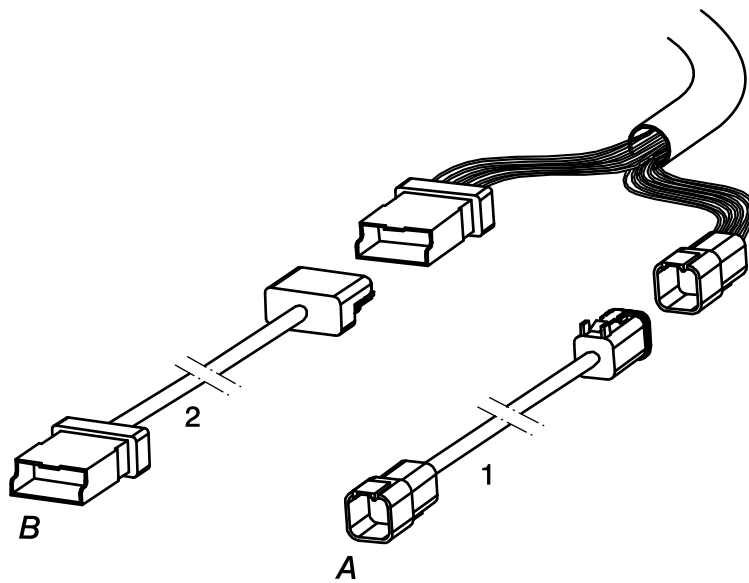
pos.	qty	part	benaming	description
1	1	STM6246	Bedradingssteun	Wiring support
2	1	STM6248	Deksel	Cover
3	1	STM9184	Zekeringhouder	Fuse support
4	1	STM9185	Zekering 10A traag ø6,3x32	Fuse 10A slow ø 6,3x32
5	1	STM9052	Insteevoet	Relay foot
6	1	STM9050	Relais	Relay
7	1	CT40075	Bout M5x16	Bolt M5x16
8	2	STM8177	Gegolfde veerring M5	Wave spring washer M5
9	2	STM1705	Moer M5	Nut M5
10	2	STM3355	Bout M8x20	Bolt M8x20
11	2	STM1019	Ring	Washer
12	1	STM6921	Motorbedrading	Engine Wiring
13	1	STM3066	Leidingklem	Pipe Clamp



Motorbedrading 2014 ->

Engine wiring 2014 ->

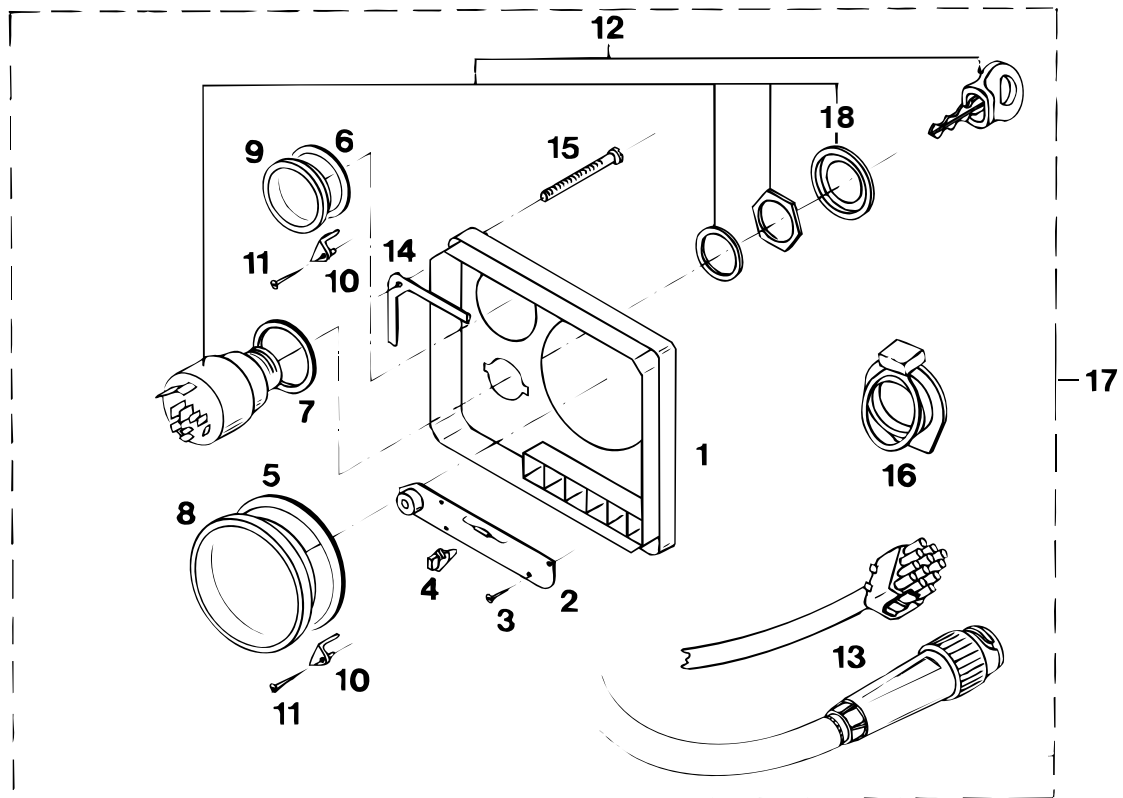
M2.13	M2.18			
pos.	qty	part	benaming	description
1	1	08-01310	Motor bedrading	Engine wiring
2	1	STM9050	Relais 12V-30A	Relay 12V-30A
3	1	08-01290	Zekering houder	Relay holder
4	1	STM4614	Steek zekering ATO 10A	ATO fuse 10A
5	1	08-01303	Schroef M4x16	Screw M4x16
6	1	CT40042	Gegolfde veerring M4	Wave spring washer M4
7	1	STM9113	Zelfborgende moer M4	Nyloc nut M4
8	1	STM4593	Klem Ø 14	Clamp Ø 14
9	1	STM3355	Bout M8x20	Bolt M8x20
10	1	STM1019	Gegolfde veerring M8	Wave spring washer M8
11	1	STM2005	Moer M8	Nut M8
12	2	STM1019	Gegolfde veerring M8	Wave spring washer M8
13	2	STM4055	Bout M8x16	Bolt M8x16
14	1	STM3705	Bout M10x1,25x25	Bolt M10x1,25x25
15	1	STM8390	Sluitring M10	Washer M10



M2.02 M2.04 M2.06 M2.C5 **Kabels en hoofdschakelaar, 2001 ->**
M2.13 M2.18 M2.D5

Cables and main switch, 2001 ->

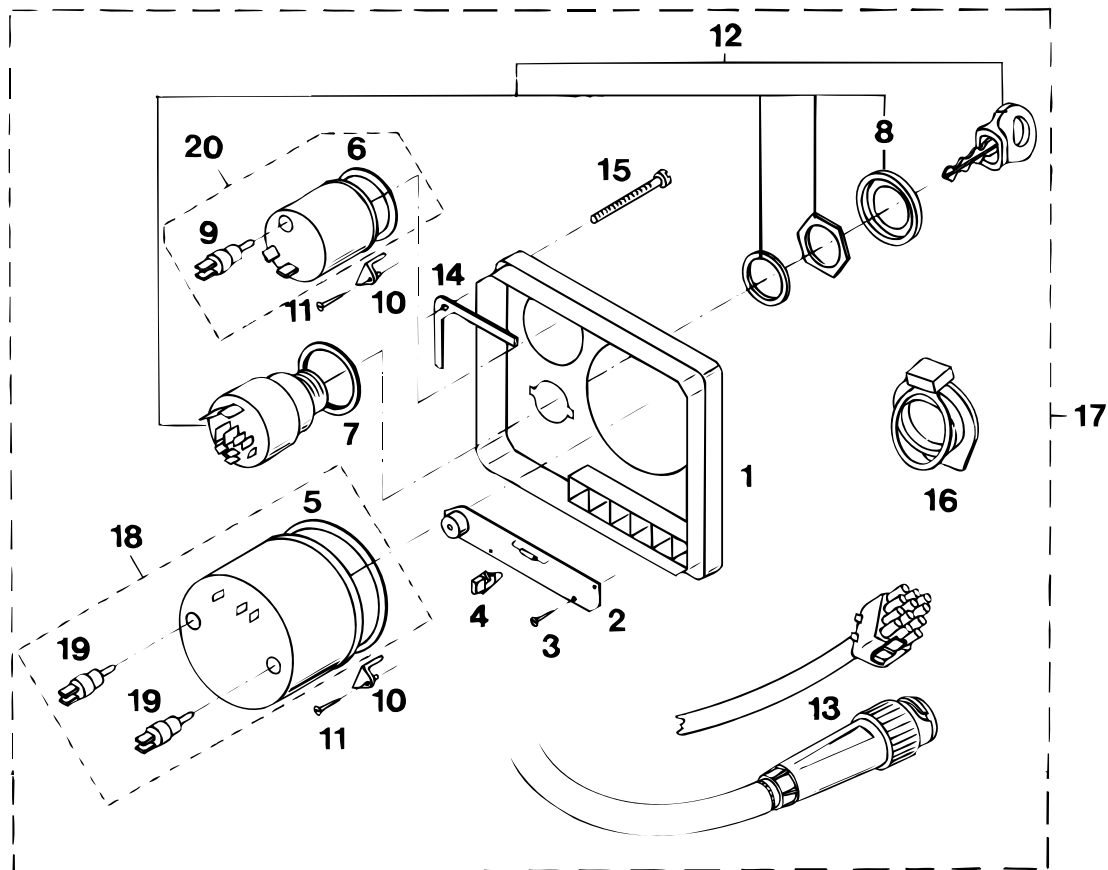
pos.	qty	part	benaming	description
1	1	STM6941	Tussenkabel A, 2mtr grijs 6polig	Intermediate cable A, 2mtr grey 6 pole
	1	STM6942	Tussenkabel A, 4mtr grijs 6polig	Intermediate cable A, 4mtr grey 6 pole
	1	STM6943	Tussenkabel A, 6mtr grijs 6polig	Intermediate cable A, 6mtr grey 6 pole
	1	STM6944	Tussenkabel A, 12mtr grijs 6polig	Intermediate cable A, 12mtr grey 6 pole
2	1	STM6945	Tussenkabel B, 2mtr zwart 6polig	Intermediate cable B, 2mtr black 6 pole
	1	STM6946	Tussenkabel B, 4mtr zwart 6polig	Intermediate cable B, 4mtr black 6 pole
	1	STM6947	Tussenkabel B, 6mtr zwart 6polig	Intermediate cable B, 6mtr black 6 pole
	1	STM6948	Tussenkabel B, 12mtr zwart 6polig	Intermediate cable B, 12mtr black 6 pole
6	1	STM3712	Hoofdschakelaar	Main switch
7	1	STM3762	Steutel	Key



**M2.04 M2.06 M2.C5
M2.D5 Instrumenten paneel '20' standaard
2001 <-**

**Instrument panel '20' standard
2001 <-**

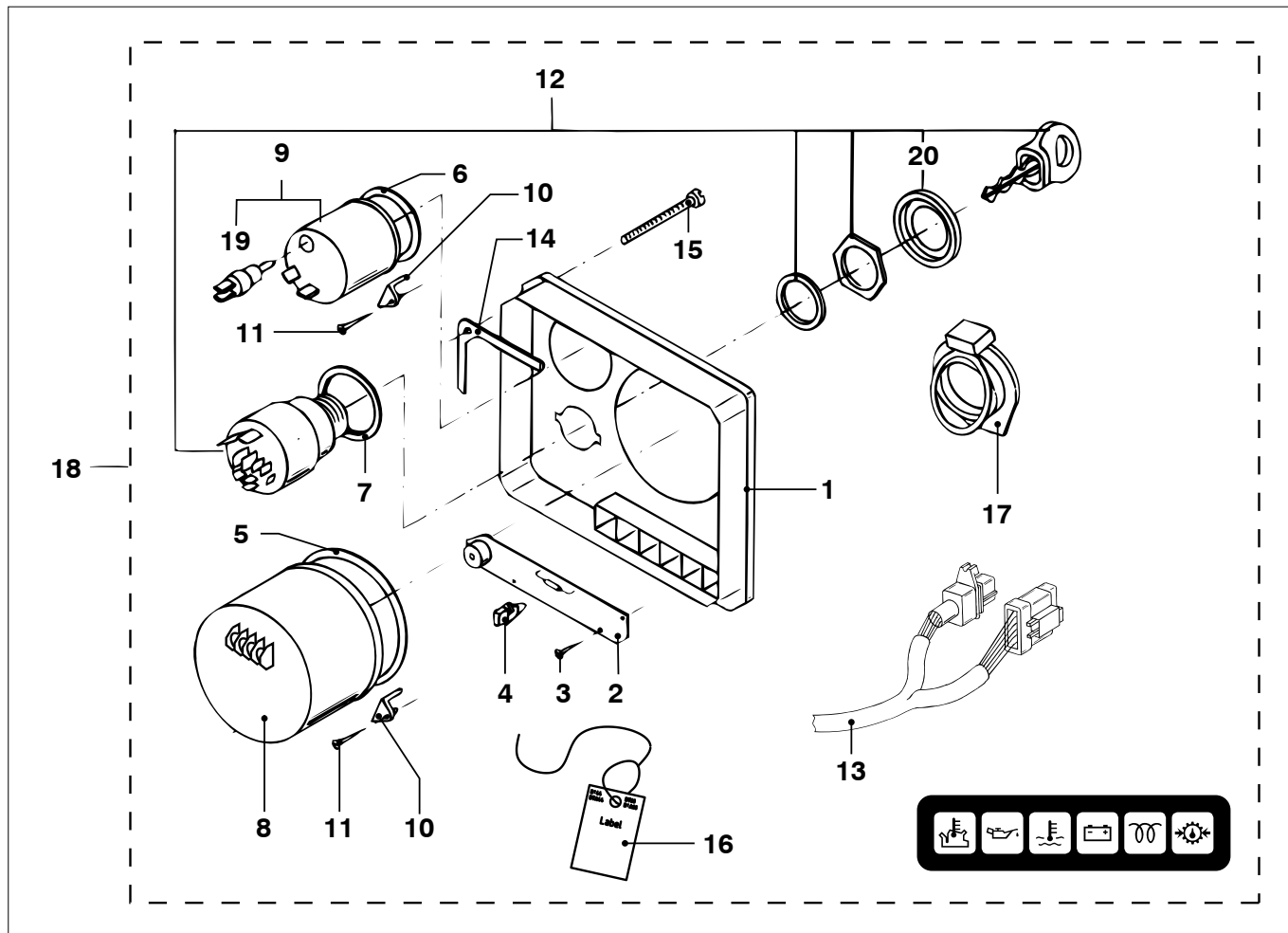
pos.	qty	part	benaming	description
1	1	STM9186	Paneel	Panel
2	1	STM9168	Print cpl	Print cpl
3	4	P2295RKP	Plaatschroef	Screw
4	6	STM9169	Gloeilamp	Bulb
5	1	STM9170	Pakking	Gasket
6	1	STM9171	Pakking	Gasket
7	1	STM9172	Pakking	Gasket
8	1	STM9173	Blindplaat ø98	Blind plate ø98
9	1	STM9174	Blindplaat ø48	Blind plate ø48
10	6	PA6488	Beugel	Support
11	6	P35164RKP	Plaatschroef	Screw
12	1	STM9215	Contactslot & steutel	Ignition & key
13	1	STM6204	Paneelbedrading M2.06	Panel wiring M2.06
	1	STM9164	Paneelbedrading	Panel wiring
14	1	STM9180	Pakking	Gasket
15	4	P35254ZKP	Plaatschroef	Screw
16	1	STM9188	Contactslotdeksel	Ignition cover
17	1	STM6208	Instr.paneel cpl zonder meters M2.06	Instr.panel compl. without meters M2.06
18	1	STM9888	Kap	Cap



**M2.04 M2.06 M2.C5
M2.D5 Instrumenten paneel '22' standaard
2001 <-**

**Instrument panel '22' standard
2001 <-**

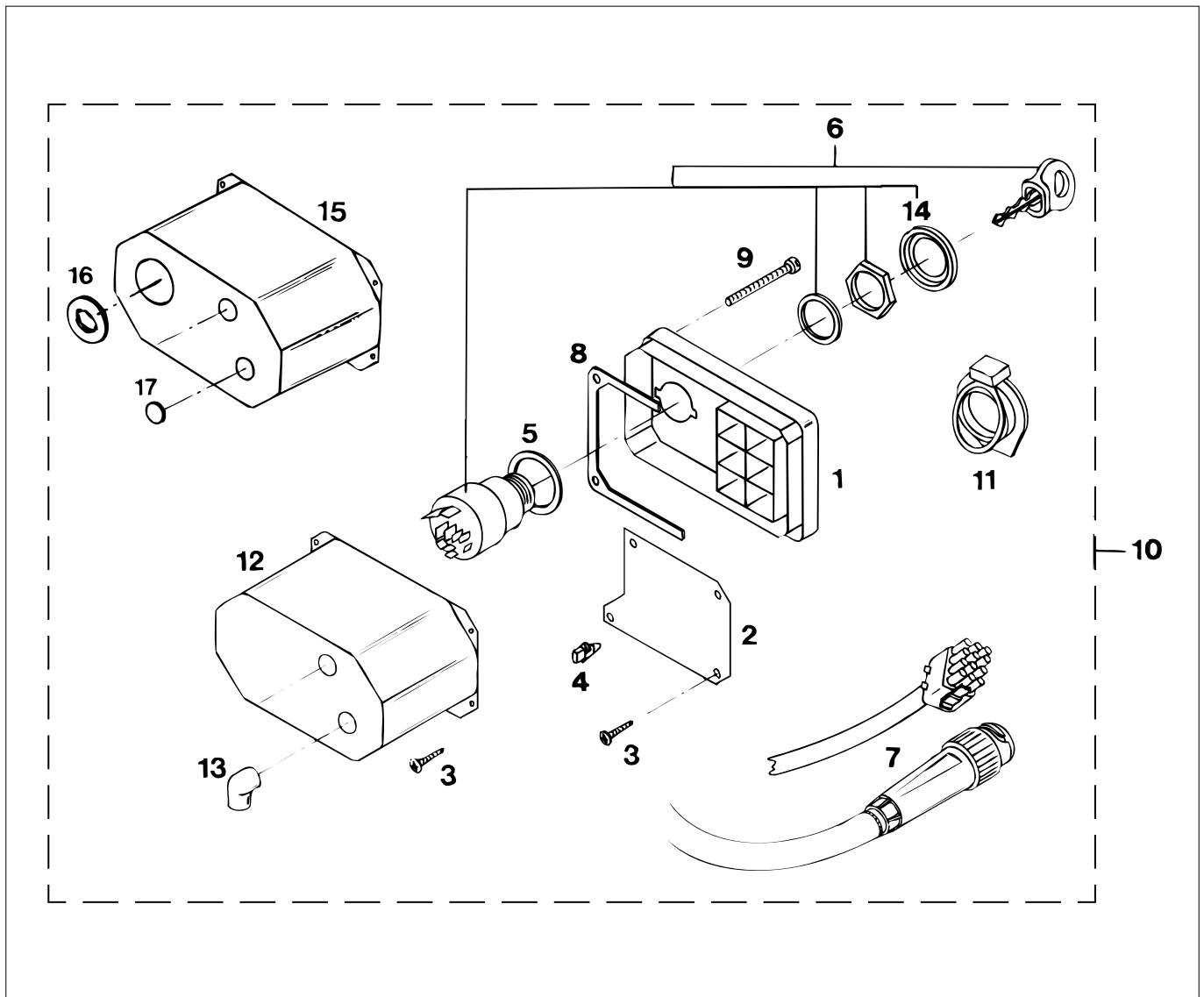
pos.	qty	part	benaming	description
1	1	STM9186	Paneel	Panel
2	1	STM9168	Print cpl	Print cpl
3	4	P2295RKP	Plaatschroef	Screw
4	6	STM9169	Gloeilamp	Bulb
5	1	STM9170	Pakking	Gasket
6	1	STM9171	Pakking	Gasket
7	1	STM9172	Pakking	Gasket
8	1	STM9888	Kap	Cap
9	1	CT40133	Gloeilamp 12V	Bulb 12V
10	6	PA6488	Beugel	Support
11	6	P35164RKP	Plaatschroef	Screw
12	1	STM9215	Contactslot & steutel	Ignition & key
13	1	STM6204	Paneelbedrading M2.06	Panel wiring M2.06
	1	STM9164	Paneelbedrading	Panel wiring
14	1	STM9180	Pakking	Gasket
15	4	P35254ZKP	Plaatschroef	Screw
16	1	STM9188	Contactslotdeksel	Ignition cover
17	1	STM6209	Instr.pan.cpl.incl. meters M2.06	Instrument panel cpl. meters included M2.06
	1	STM9197	Instr.pan.cpl.incl. meters	Instrument panel cpl. meters included
18	1	STM6207	Toerenteller 4000rpm	Tachometer 4000rpm
19	2	CT40131	Gloeilamp 12V	Bulb 12V
20	1	STM9177	Voltmeter	Voltmeter



M2.02 M2.04 M2.06 M2.C5 M2.D5 Instrumenten paneel '22' standaard 2001 ->

Instrument panel '22' standard 2001 ->

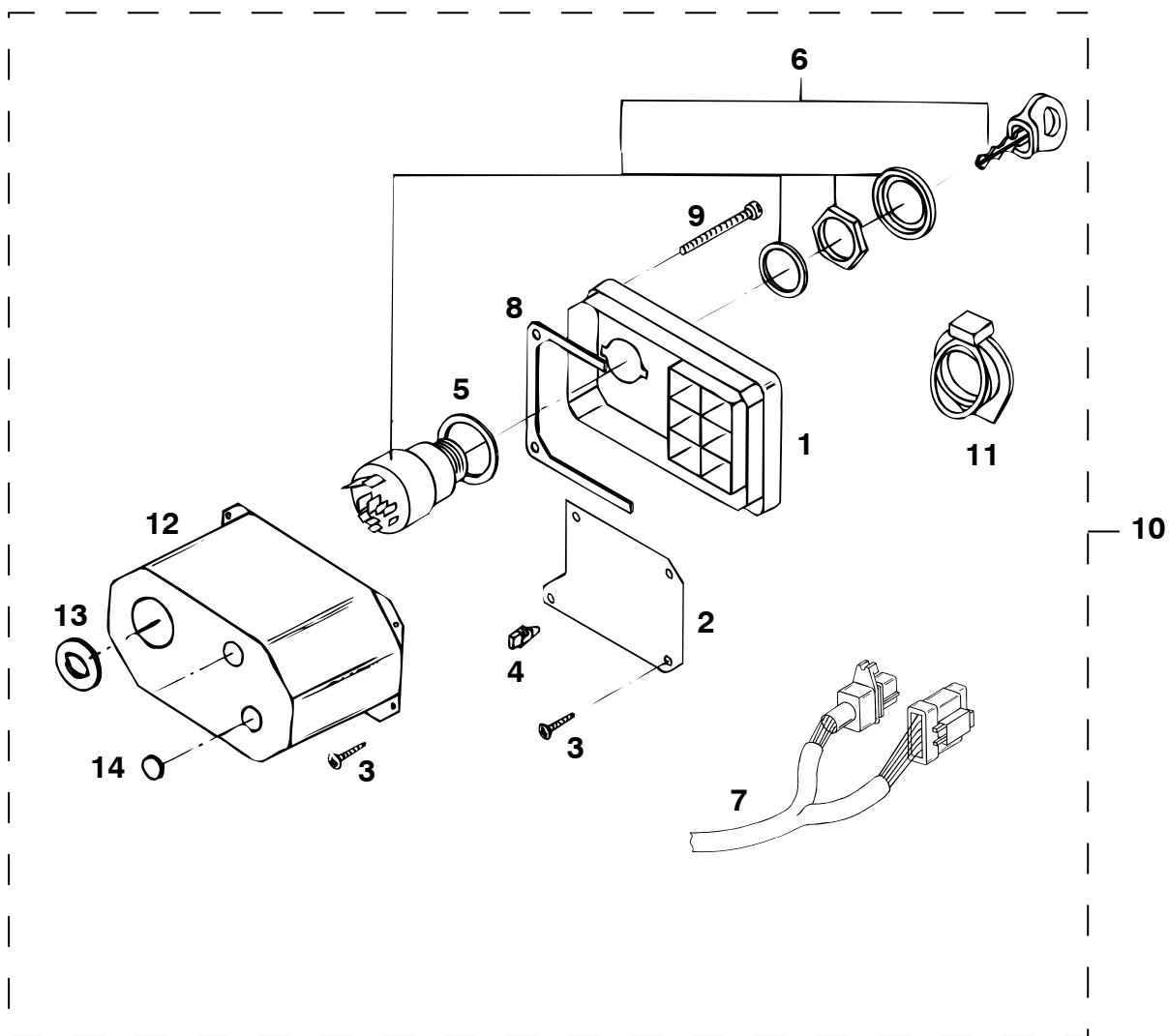
pos.	qty	part	benaming	description
1	1	STM9186	Paneel incl. frontfolie	Panel incl. overlay
2	1	STM6912	Print MP20, 21, 22 cpl. 12 V	PCB MP20, 21, 22 cpl. 12 V
3	4	P2295RKP	Plaatschroef	Screw
4	6	STM9169	Gloeilamp 12 V	Bulb 12 V
5	1	STM9170	Pakking	Gasket
6	1	STM9171	Pakking	Gasket
7	1	STM9172	Pakking	Gasket
8	1	STM9176	Toeren/urenteller, zwart, 0-4000 rpm	Tachometer/hour counter, black, 0-4000 rpm
	1	LNTACHU	Toeren/urenteller, beige, 0-4000 rpm	Tachometer/hour counter, beige, 0-4000 rpm
9	1	STM9177	Voltmeter, zwart, 12 V	Voltmeter, zwart, 12 V
	1	LNVOLT12U	Voltmeter, beige, 12 V	Voltmeter, beige, 12 V
10	6	PA6488	Beugel	Bracket
11	6	P35134RKP	Plaatschroef	Screw
12	1	STM9215	Contactsloot + sleutel	Key switch + key
13	1	STM6918	Paneelbedrading	Wiring
14	1	STM9180	Pakking	Gasket
15	4	P35254ZKP	Plaatschroef	Screw
16	1	STM9731	Label 'Afregele toerenteller'	Label 'Adjusting tachometer'
17	1	STM9188	Contactsloot deksel	Key switch cover
18	1	MP22BS12A	Instr.paneel cpl. zwarte instr. 0-4000 rpm 12 V	Instr.panel cpl. black instr. 0-4000 rpm 12 V
	1	MP22BN12A	Instr.paneel cpl. beige instr. 0-4000 rpm 12 V	Instr.panel cpl. beige instr. 0-4000 rpm 12 V
19	1	CT40133	Gloeilamp 12 V	Bulb 12 V
20	1	STM9888	Kap	Cover



M2.04 M2.06 M2.C5 Instrumenten paneel MP10, 2001 <-
M2.D5

Instrument panel MP10, 2001 <-

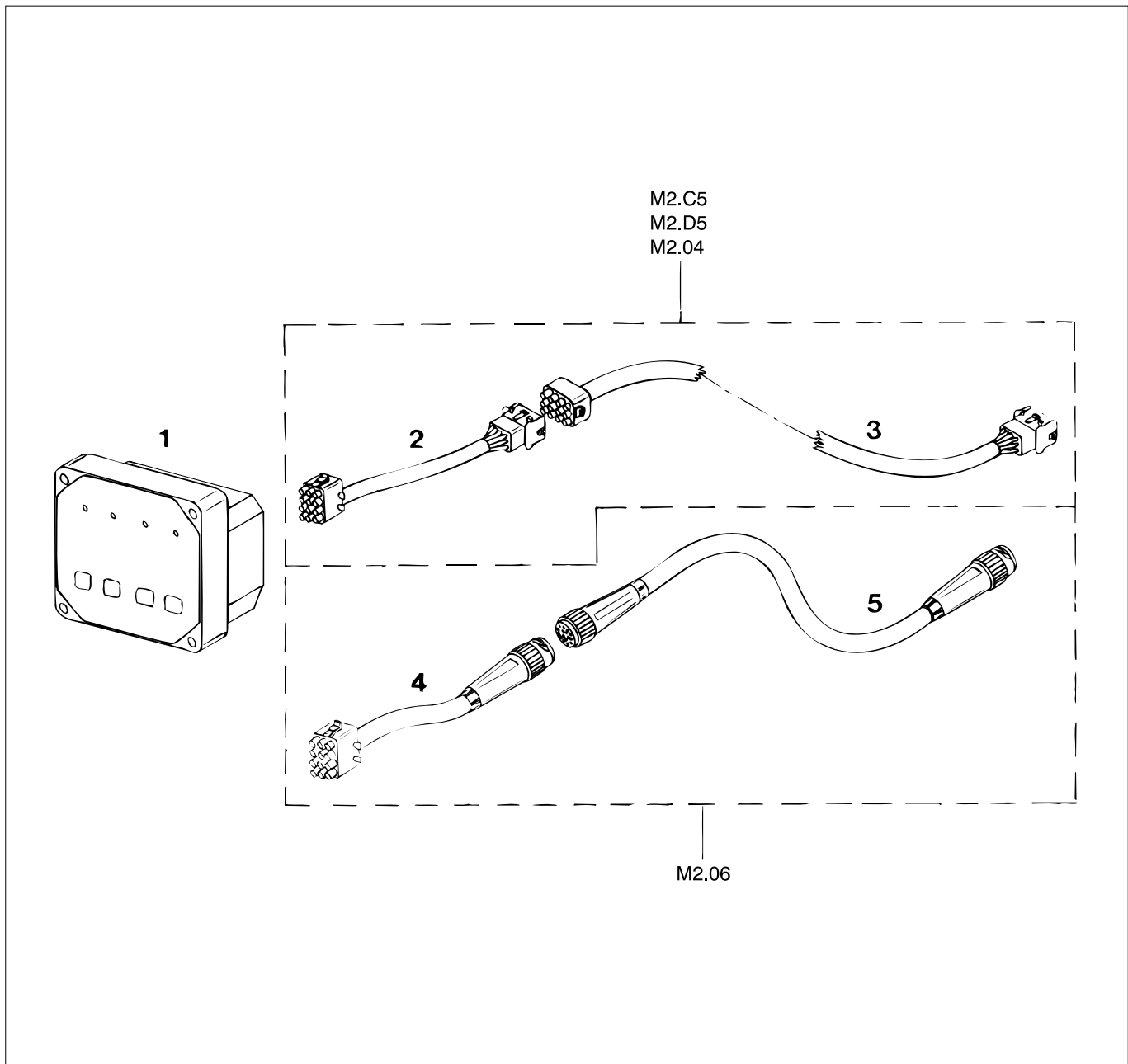
pos.	qty	part	benaming	description
1	1	STM9065	Paneel	Panel
2	1	STM9066	Print cpl	Print cpl
3	8	P2295RKP	Plaatschroef	Screw
4	6	STM9169	Gloeilamp	Bulb
5	1	STM9172	Pakking	Gasket
6	1	STM9215	Contactslot & steutel	Ignition & key
7	1	STM6211	Paneelbedrading M2.06	Panel wiring
	1	STM9067	Paneelbedrading	Panel wiring
8	1	STM9068	Pakking	Gasket
9	4	P35254ZKP	Plaatschroef	Screw
10	1	STM6212	Instr.paneel cpl. M2.06	Instr.panel cpl.
	1	STM9064	Instr.paneel cpl.	Instr.panel cpl.
11	1	STM9188	Contactslot deksel	Ignition cover
12	1	STM9069	Beschermkap	Protective cap
13	2	STM9070	Trekontlasting	Strain relief
14	1	STM9888	Kap	Cap
15	1	STM9069	Bechermkap 02-99 ->	Protective cap 02-99 ->
16	1	STM7222	Doorvoertule 02-99 ->	Grommet 02-99 ->
17	2	STM7254	Blindplaat 02-99 ->	Hole plug 02-99 ->



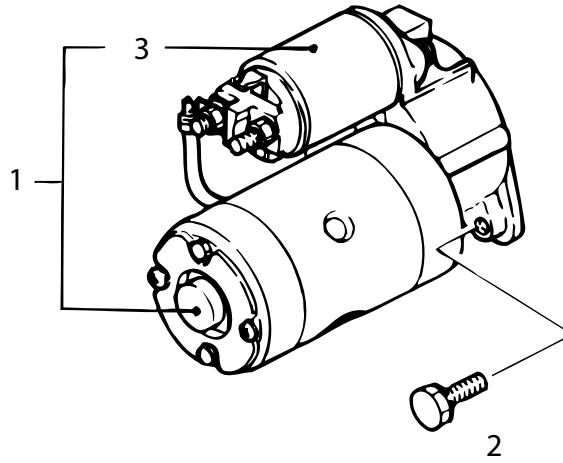
M2.02 M2.04 M2.06 M2.C5 Instrumenten paneel MP10, 2001 ->
M2.13 M2.18 M2.D5

Instrument panel MP10, 2001 ->

pos.	qty	part	benaming	description
1	1	STM9065	Paneel	Panel
2	1	STM9066	Print cpl	Print cpl
3	8	P2295RKP	Plaatschroef	Screw
4	6	STM9169	Gloeilamp	Bulb
5	1	STM9172	Pakking	Gasket
6	1	STM9215	Contactslot & steutel	Ignition & key
7	1	STM6920	Paneelbedrading	Panel wiring
8	1	STM9068	Pakking	Gasket
9	4	P35254ZKP	Plaatschroef	Screw
10	1	MP10B12	Instr.paneel cpl.	Instr.panel cpl.
11	1	STM9188	Contactslot deksel	Ignition cover
12	1	STM9069	Beschermkap	Protective cap
13	1	STM7222	Doorvoertule	Grommet
14	2	STM7254	Blindstop	Plug



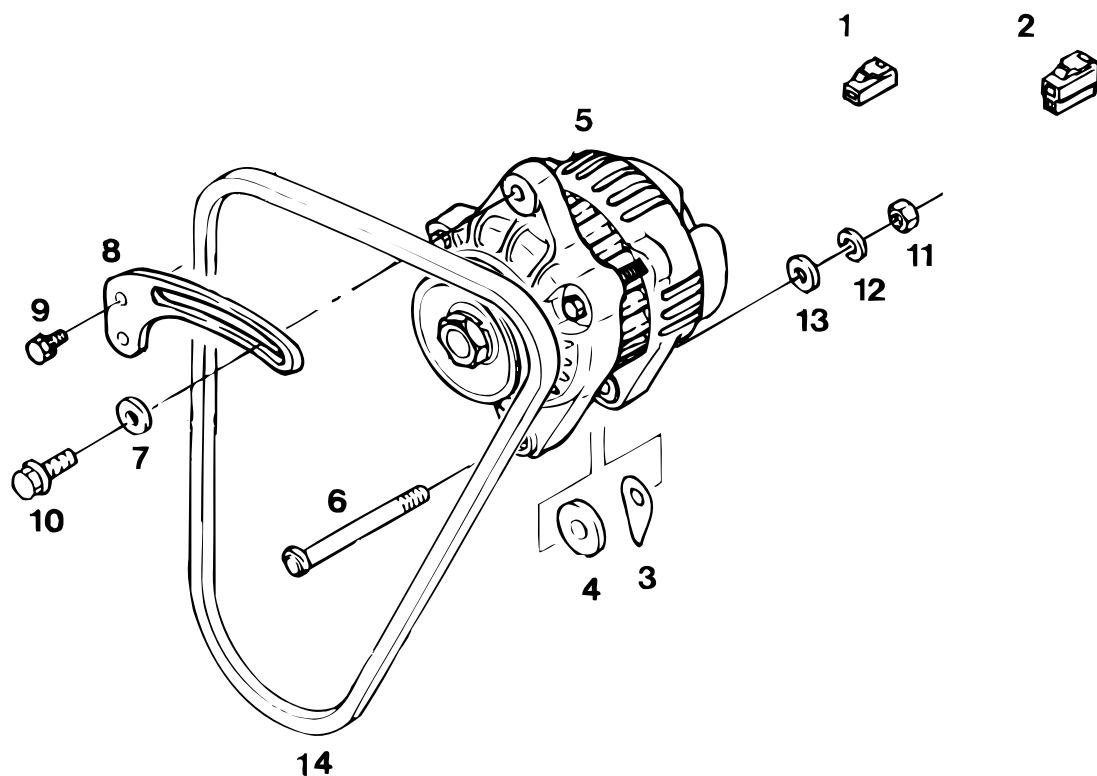
M2.04 M2.06 M2.C5 M2.D5 M2.04			Instrumenten paneel MP00, 2001 <-	Instrument panel MP00, 2001 <-
pos.	qty	part	benaming	description
1	1	MP00	Paneel cpl.	Panel cpl.
2	1	STM9135	Interfacekabel BEDR002	Interface cable BEDR002
3	1	STM9056	Tussenkabel 2mtr BEDR1202	Intermediate cable 2mtr. BEDR1202
	1	STM9119	Tussenkabel 4mtr BEDR1204	Intermediate cable 4mtr. BEDR1204
	1	STM9132	Tussenkabel 6mtr. BEDR1206	Intermediate cable 6mtr. BEDR1206
	1	STM3890	Tussenkabel 12mtr. BEDR1212	Intermediate cable 12mtr. BEDR1212
4	1	STM9136	Interfacekabel BEDR003	Interface cable BEDR003
5	1	STM6222	Tussenkabel 2mtr.	Intermediate cable 2mtr.
	1	STM6223	Tussenkabel 4mtr.	Intermediate cable 4mtr.
	1	STM6224	Tussenkabel 6mtr.	Intermediate cable 6mtr.
	1	STM6225	Tussenkabel 12mtr.	Intermediate cable 12mtr.



M2.02 M2.04 M2.06 M2.C5 **Startmotor**
M2.13 M2.18 M2.D5

Starter motor

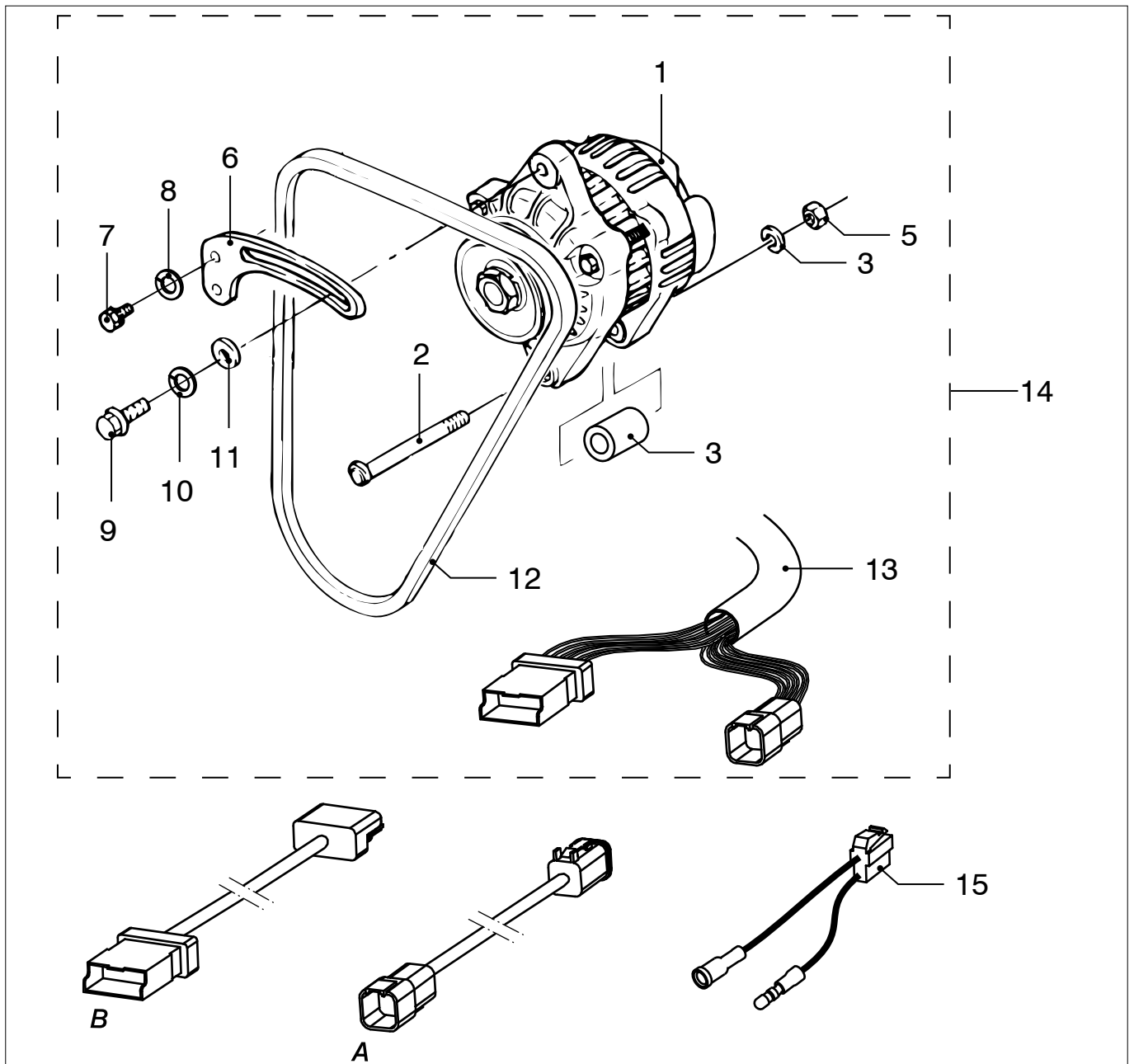
pos.	qty	part	benaming	description
1	1	STM1241	Starter	Starter assy
2	2	STM4013	Bout	Bolt
3	1	STM1250	Relais	Switch assy



M2.02 M2.04 M2.06 M2.C5
M2.D5 **Dynamo 40 A**

Alternator 40 A

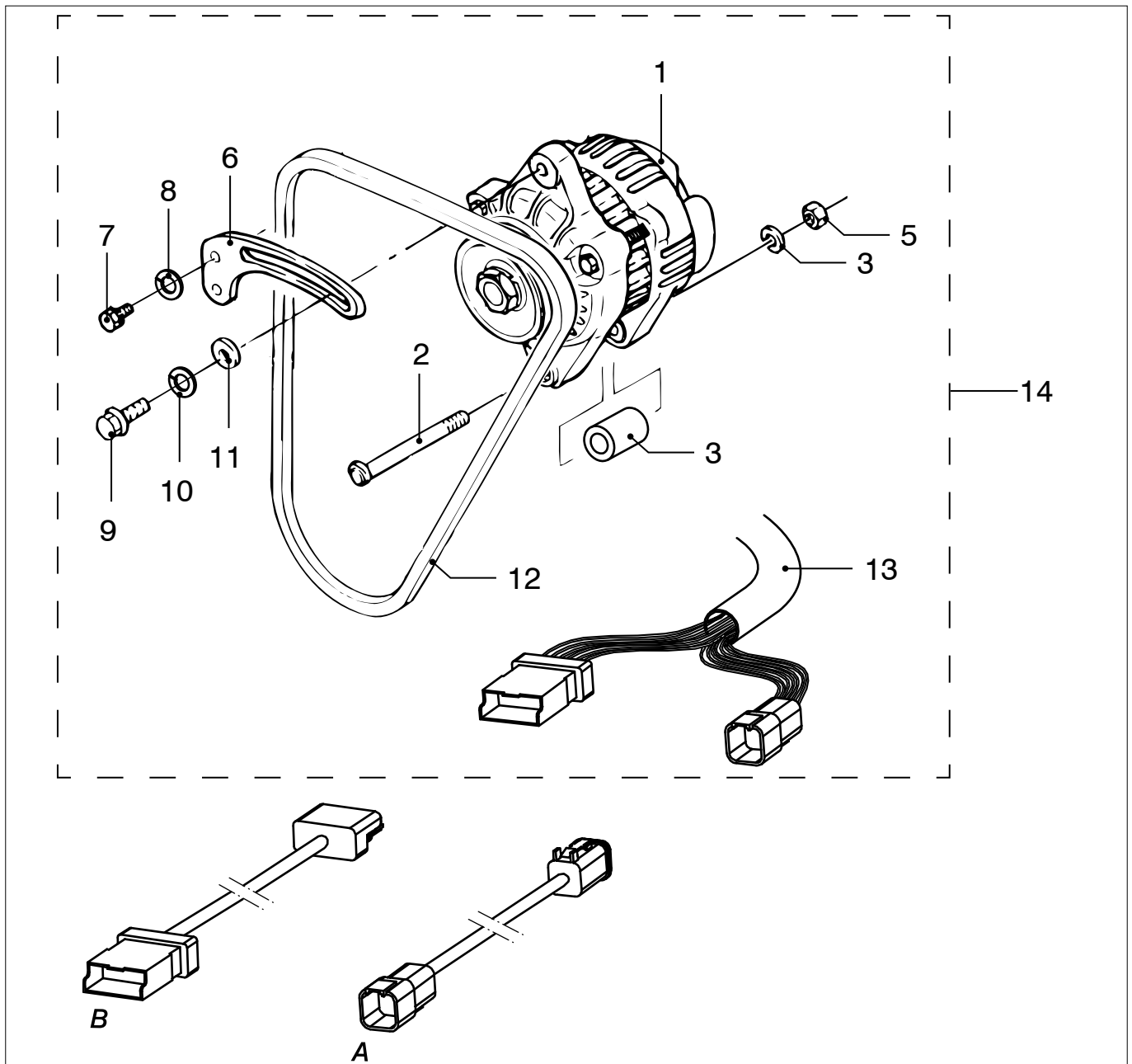
pos.	qty	part	benaming	description
1	1	STM6277	Stekkerhuls	Connector
2	1	STM6278	Stekkerhuls	Connector
3	1	STM1660	Shim	Shim
4	1	STM1242	Vulring	Spacer
5	1	STM1243	Alternator 12V-40A	Alternator assy 12V-40A
6	1	STM1620	Bout	Bolt
7	1	STM3749	Ring	Washer
8	1	STM1244	Spansteun M2.04/M2.06	Tension support M2.04/M2.06
	1	STM3930	Spansteun M2.C5/M2.D5	Tension support M2.C5/M2.D5
9	1	STM1245	Bout	Bolt
10	1	STM3683	Bout	Bolt
11	1	STM1246	Moer	Nut
12	1	STM1056	Ring	Washer
13	1	STM1247	Ring	Washer
14	1	STM6263	V-snaar, L = 905 mm, 40 A dynamo	V-belt, L = 905 mm, 40 A alternator



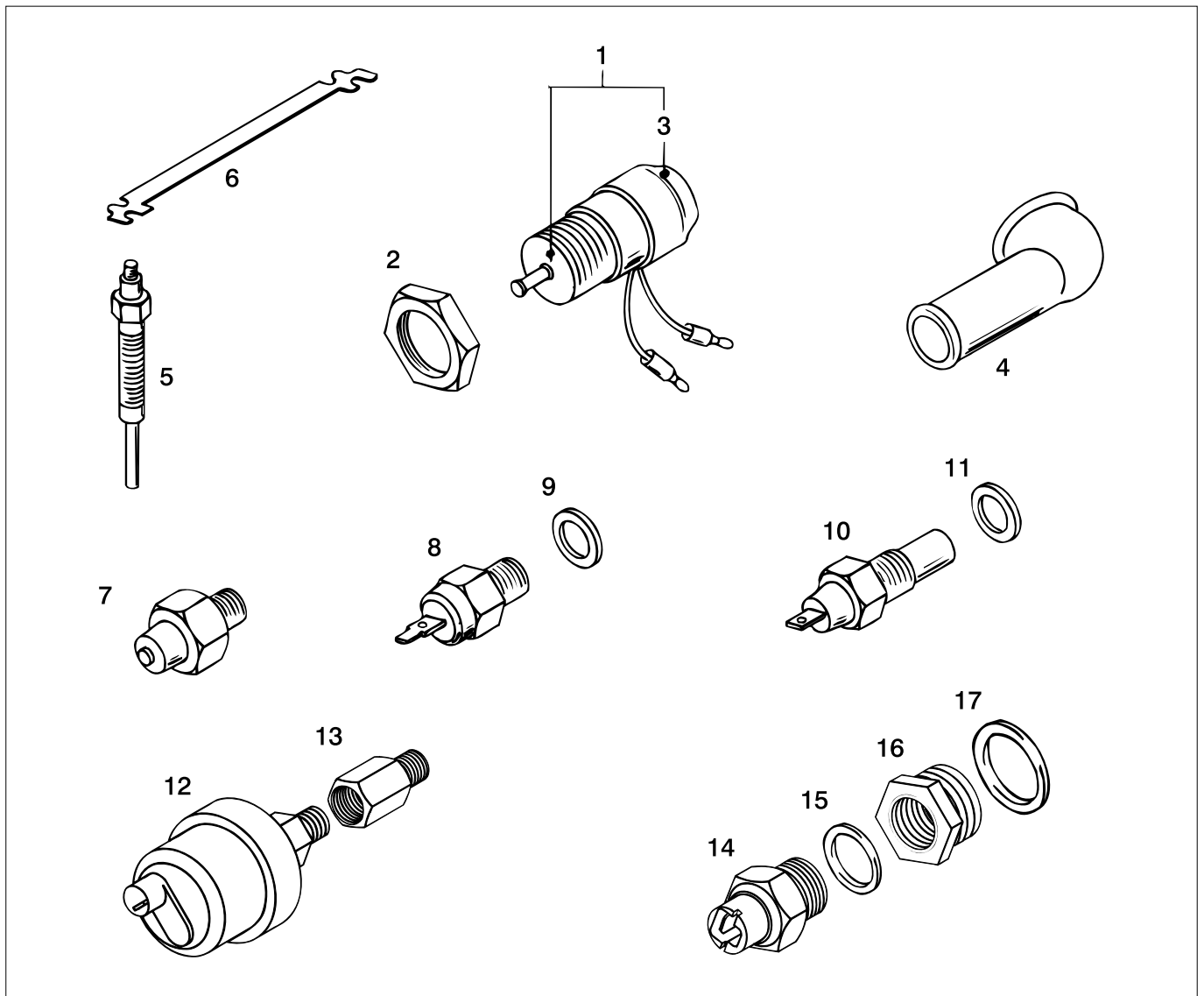
M2.02 M2.04 M2.06 M2.C5 M2.D5 **Dynamo 12 V - 75 A 1p**

Alternator 12 V - 75 A Earth return

pos.	qty	part	benaming	description
1	1	STM7437	Dynamo 12V-75A 1p	Alternator 12V-75A 1p
2	1	STM6121	Bout M8x110	Bolt M8x110
3	1	STM4537	Bus l=30	Bush l=30
4	1	STM1056	Veerring M8	Spring washer M8
5	1	STM2005	Moer M8	Nut M8
6	1	STM7438	Spansteun	Tension support
7	1	STM1024	Bout M6x15	Bolt M6x15
8	1	CT40029	Veerring M6	Spring washer M6
9	1	STM3355	Bout M8x20	Bolt M8x20
10	1	STM1056	Veerring M8	Spring washer M8
11	1	STM3749	Ring M8	Washer M8
12	1	STM7439	V-snaar L=925 mm, 75 A dynamo	V-belt L=925 mm, 75 A dynamo
13	1	STM7440	Motorbedrading	Engine wiring loom
14	1	STM9563	Set 12V - 75 A 1 p dynamo L-serie	Set 12V - 75 A 1 p alternator L-series
15	1	08-01095	Verloopstekker STM1243 -> STM7437	Adaptor STM1243 -> STM7437



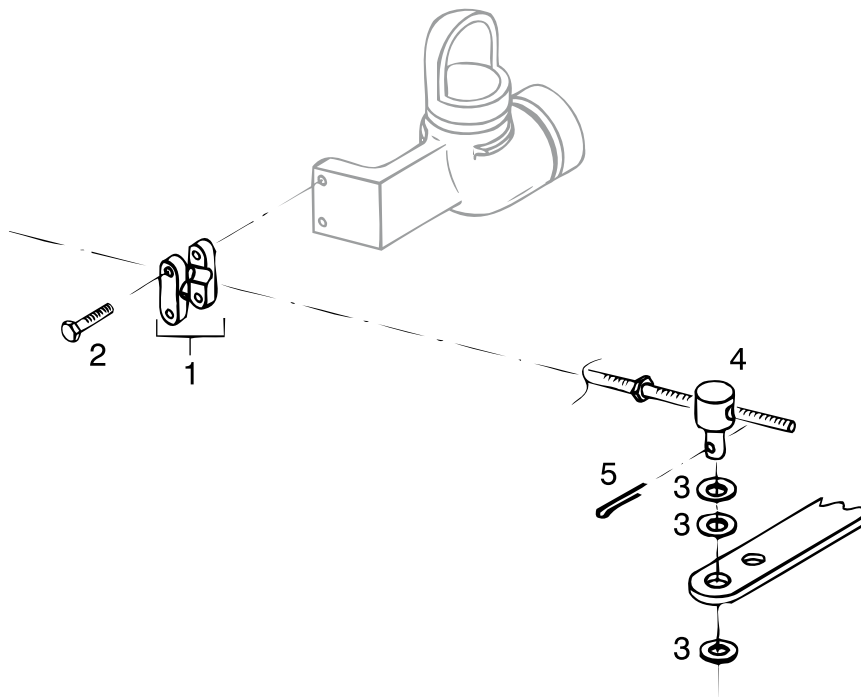
Dynamo 12 V - 75 A 1p				Alternator 12 V - 75 A Earth return	
M2.13	M2.18				
pos.	qty	part	benaming	description	
1	1	STM7437	Dynamo 12V-75A 1p	Alternator 12V-75A 1p	
2	1	STM6121	Bout M8x110	Bolt M8x110	
3	1	STM4537	Bus l=30	Bush l=30	
4	1	STM1056	Veerring M8	Spring washer M8	
5	1	STM2005	Moer M8	Nut M8	
6	1	STM7438	Spansteun	Tension support	
7	1	STM1024	Bout M6x15	Bolt M6x15	
8	1	CT40029	Veerring M6	Spring washer M6	
9	1	STM3355	Bout M8x20	Bolt M8x20	
10	1	STM1056	Veerring M8	Spring washer M8	
11	1	STM3749	Ring M8	Washer M8	
12	1	STM7439	V-snaar L=925 mm, 75 A dynamo	V-belt L=925 mm, 75 A dynamo	
13	1	08-01310	Motorbedrading	Engine wiring loom	
14	1	STM9563	Set 12V - 75 A 1 p dynamo L-serie	Set 12V - 75 A 1 p alternator L-series	



M2.02 M2.04 M2.06 M2.C5 Zenders + schakelaars
M2.13 M2.18 M2.D5

Sender units + switches

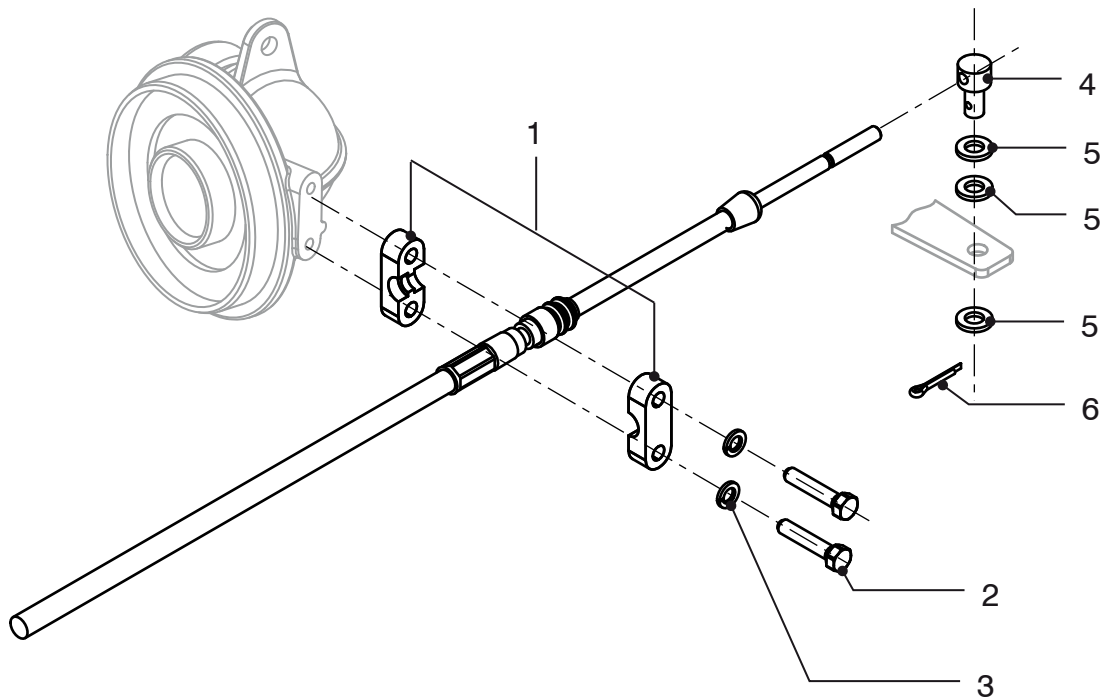
pos.	qty	part	benaming	description
1	1	STM6264	Stopmagneet	Solenoid
2	1	STM2742	Moer	Nut
3	1	STM1375	Rubber kap	Rubber cap
4	1	STM2387	Rubber kap	Rubber cap
5	2	STM6265	Gloeï bougie	Glow plug
6	1	STM6266	Strip	Plate
7	1	STM6267	Oliedrukschakelaar M10x1k	Oil pressure switch M10x1k
8	1	STM6268	Temperatuur schakelaar 111°C binnenwater M16x1,5 1p	Thermo switch 111°C coolant M16x1.5 1p
9	1	STM6269	Afdichtring M16	Sealing M16
10	1	STM2006	Temperatuur schakelaar 75°C buitenwater M18x1,5 1p	Thermo switch 75°C Raw water M18x1.5 1p
11	1	STM2019	Afdichtring	Sealing
12	1	CT40083	Oliedruksender OILSR08 M10x1k 12-24V. 0-8bar	Oilpressure sender OILSR08 M10x1k 12-24V. 0-8bar
13	1	STM6341	Verloop M10x1 -> M10x1k	Adaptor M10x1 -> M10x1k
14	1	STM8326	Binnenwatertemperatuur zender TEMPSR120 M14x1,5 12-24V. 40-120°C	Coolant temp. sender TEMPSR120 M14x1.5 12-24V. 40-120°C
15	1	STM1062	Afdichtring M14	Sealing M14
16	1	AD14-16	Verloop	Adaptor
17	1	STM6269	Afdichtring M16	Sealing M16



M2.02 M2.04 M2.06 M2.C5 M2.D5 **Bediening, Gas**

Control, Throttle

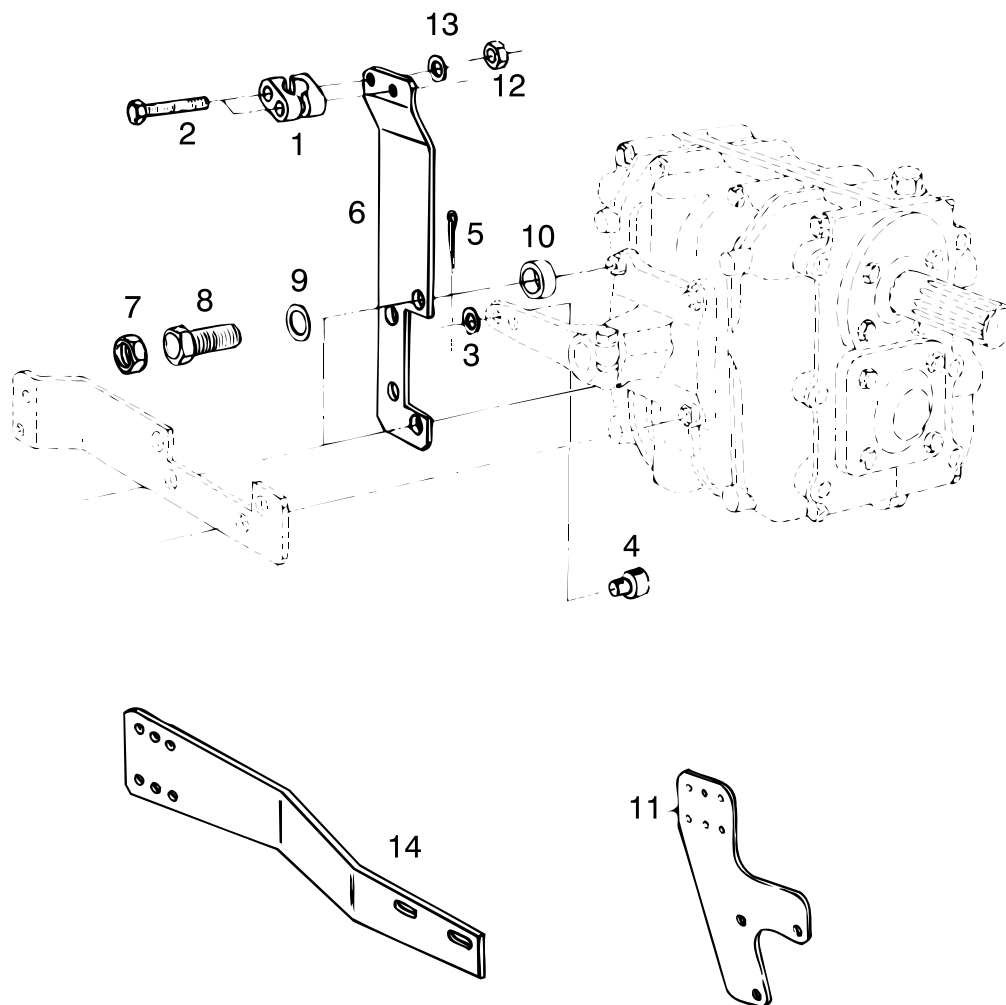
pos.	qty	part	benaming	description
1	1	STM1703	Kabelklem	Cable clamp
2	2	STM1704	Bout M5x25	Bolt M5x25
3	3	STM1807	Ring	Washer
4	1	STM1806	Nippel	Nipple
5	1	STM1808	Splitpen 2x25	Split pin 2x25



Bediening, Gas

Control, Throttle

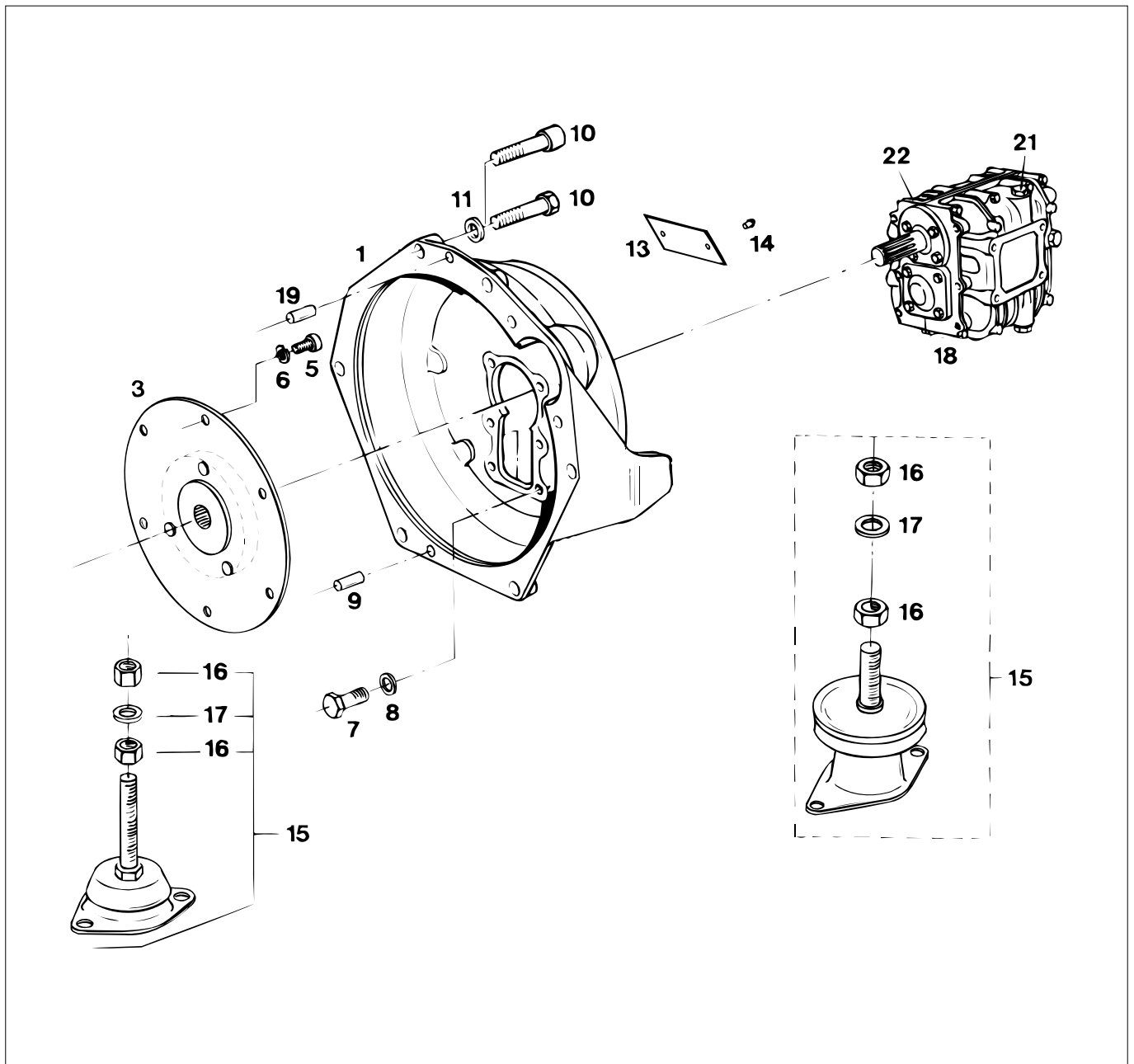
M2.13	M2.18			
pos.	qty	part	benaming	description
1	1	STM1703	Kabelklem	Cable clamp
2	2	STM1704	Bout M5x25	Bolt M5x25
3	2	STM7294	Gegolfde veerring M5	Wave spring washer M5
4	1	STM1806	Nippel	Nipple
5	3	STM1807	Ring	Washer
6	1	STM1808	Splitpen 2x25	Split pin 2x25



M2.02 M2.04 M2.06 M2.C5
M2.13 M2.18 M2.D5 **Bediening, keerkoppeling**

Controls, gearbox

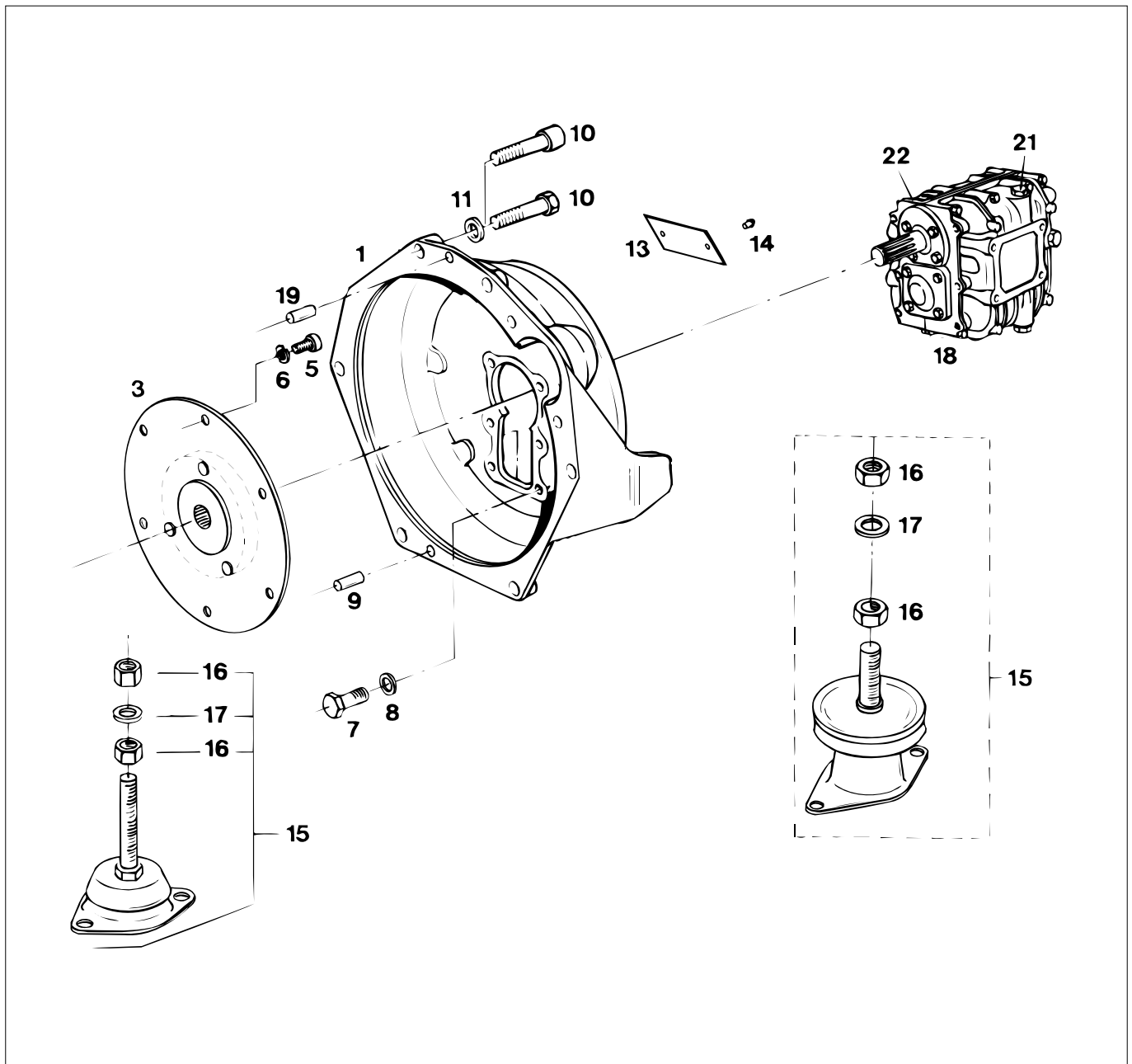
pos.	qty	part	benaming	description
1	1	STM1703	Kabelklem	Cable clamp
2	2	STM1704	Bout M5x25	Bolt M5x25
3	1	STM1807	Ring	Washer
4	1	STM1806	Nippel	Nipple
5	1	STM1808	Splitpen 2x25	Split pin 2x25
6	1	STM1851	Steun Hurth	Support Hurth
7	2	STM2005	Moer M8	Nut M8
8	2	STM1610	Bout M8x25	Bolt M8x25
9	2	STM1019	Ring	Washer
10	2	STM1852	Afstandbus	Distance washer
11	1	STM3767	Steun PRM	Support PRM
12	2	STM1705	Moer M5	Nut M5
13	2	STM1707	Ring M5	Washer M5
14	1	STM6238	Steun TMC40	Support TMC40



M2.04 M2.06 M2.C5
M2.D5 **Vliegwielhuis Hurth**

Flywheel housing Hurth

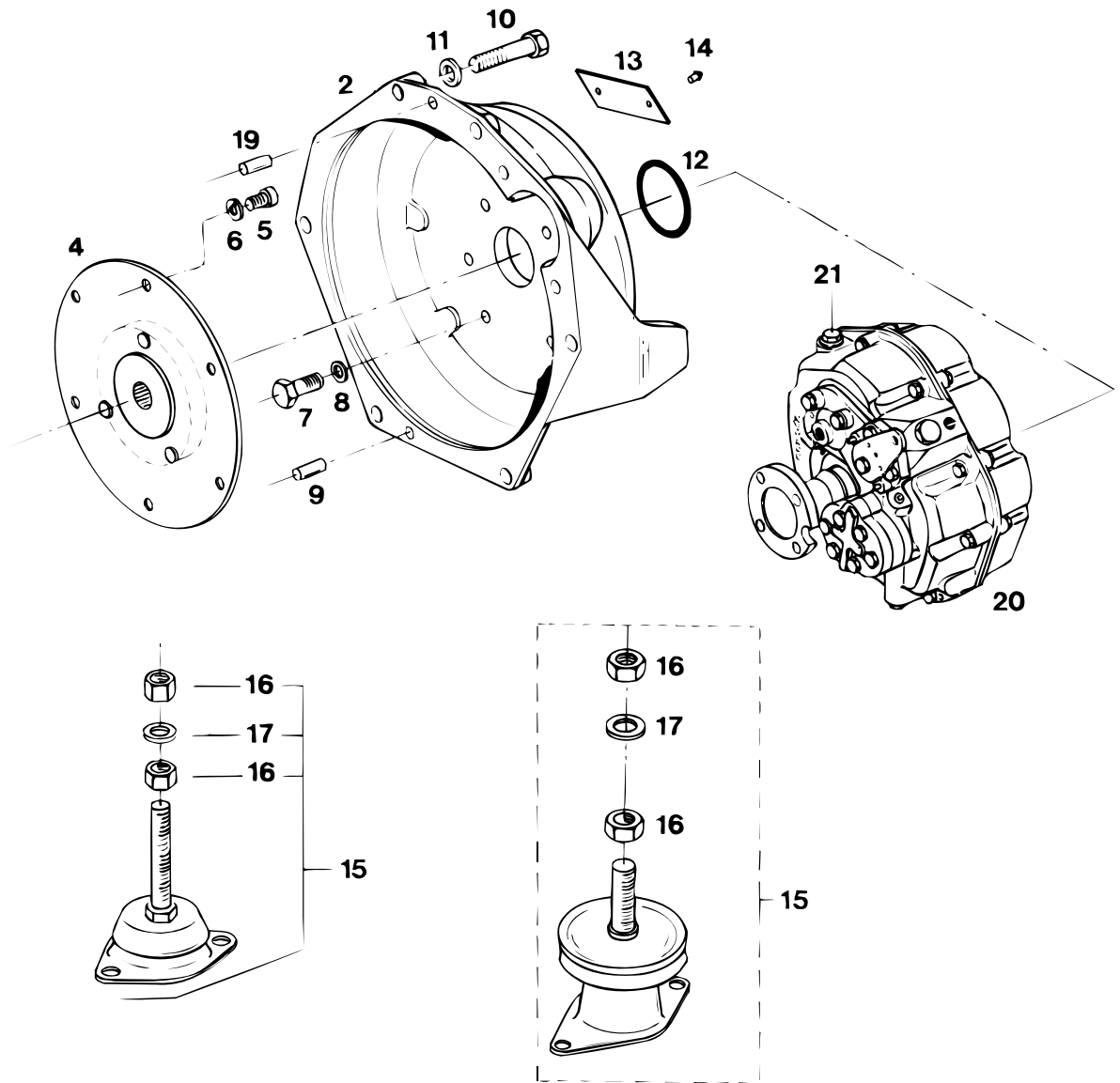
pos.	qty	part	benaming	description
1	1	STM6103	Vliegwielhuis HBW	Flywheel housing HBW
3	1	STM6106	Demperplaat DIN5464 Z=10	Damperplate DIN5464 Z=10
5	6	STM6111	Inbusbout M8x16	Allen screw M8x16
6	6	STM1056	Ring	Washer
7	6	STM1610	Bout M8x25	Allen screw M8x25
8	6	STM1019	Ring	Washer
9	1	STM2507	Paspen 8x10 DIN6325	Pin 8x10 DIN6325
10	6	STM6104	Bout M12x1,25x70 (<- 03-03)	Bolt M12x1.25x70 (<- 03-03)
	6	STM6345	Inbusbout M12x1,25x70 (-> 03-03)	Allen screw M12x1.25x70 (-> 03-03)
11	6	STM4056	Ring	Washer
13	1	STM1054	Type plaatje	Model plate
14	2	STM3528	Kerfnagel 3x5 DIN1476	Grooved pin 3x5 DIN1476
15	2	MITSTEUN	Hydrodemper M2.06	Hydro Mount M2.06
	2	STM1073	Demper M2.C5/M2.D5/M2.04 (KSTEUN25V)	Engine mount M2.C5/M2.D5/M2.04 (KSTEUN25V)
16	4	STM4010	Moer M16x1,5	Nut M16x1.5
17	2	STM4011	Ring	Washer



M2.04 M2.06 M2.C5 Vliegwielhuis Hurth
M2.D5

Flywheel housing Hurth

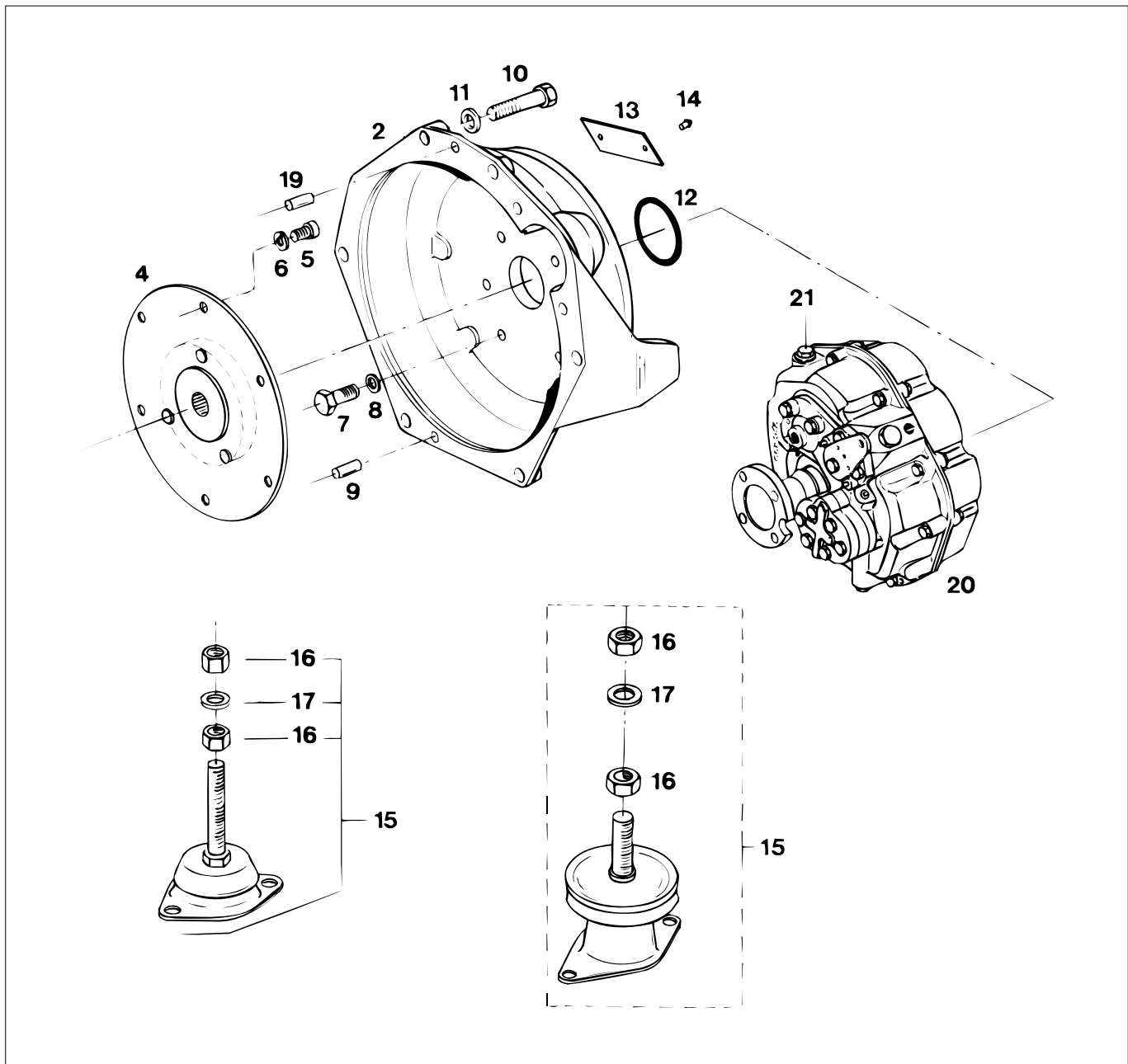
pos.	qty	part	benaming	description
18	1	STM5352	HBW 35 2R	HBW 35 2R
	1	STM5353	HBW 35 3R	HBW 35 3R
	1	STM5442	HBW 40 2R	HBW 40 2R
	1	STM5443	HBW 40 2,7R	HBW 40 2.7R
	1	STM5103	HBW 100 3R	HBW 100 3R
	1	STM5162	HBW 150 V2	HBW 150 V2
	1	STM5163	HBW 150 V3	HBW 150 V3
	1	STM5402	TMC40 2:1	TMC40 2:1
	1	STM5403	TMC40 2,6:1	TMC40 2.6:1
19	1	STM6279	Paspren 8x18 DIN6325	Pin 8x18 DIN6325
21	1	STM5176	Peilstok HBW 35-100	Dipstick HBW 35-100
	1	STM5177	Peilstok HBW 150-125	Dipstick HBW 150-125
22	1	STM5171	Pakkingset HBW100	Gasketset HBW100



M2.04 M2.06 M2.C5 M2.D5 Vliegwielhuis PRM

Flywheel housing PRM

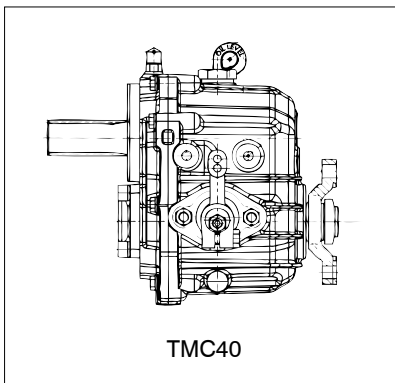
pos.	qty	part	benaming	description
2	1	STM6105	Vliegwielhuis PRM	Flywheel housing PRM
4	1	STM6107	Demperplaat SAE Z=17	Damperplate SAE Z=17
5	6	STM6111	Inbusbout M8x16	Allen screw M8x16
6	6	STM1056	Ring	Washer
7	6	STM1610	Bout M8x25	Allen screw M8x25
8	6	STM1019	Ring	Washer
9	1	STM2507	Paspen 8x10 DIN6325	Pin 8x10 DIN6325
10	6	STM6104	Bout M12x1,25x70 (-< 03-03)	Bolt M12x1.25x70 (-< 03-03)
	6	STM6345	Inbusbout M12x1,25x70 (-> 03-03)	Allen screw M12x1.25x70 (-> 03-03)
11	6	STM4056	Ring	Washer
12	1	STM6201	O-ring 65x1,5	O-ring 65x1.5
13	1	STM1054	Type plaatje	Model plate
14	2	STM3528	Kerfnagel 3x5 DIN1476	Grooved pin 3x5 DIN1476
15	2	MITSTEUN	Hydrodemper M2.06	Hydro Mount M2.06
	2	STM1073	Demper M2.C5/M2.D5/M2.04 (KSTEUN25V)	Engine mount M2.C5/M2.D5/M2.04 (KSTEUN25V)



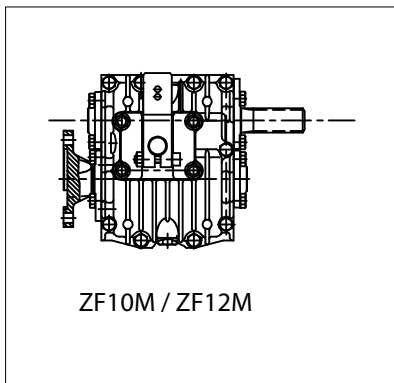
M2.04 M2.06 M2.C5 Vliegwielhuis PRM
M2.D5

Flywheel housing PRM

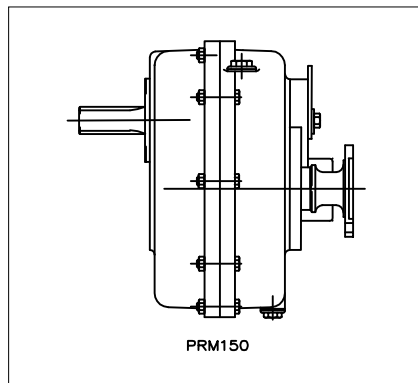
pos.	qty	part	benaming	description
16	4	STM4010	Moer M16x1,5	Nut M16x1,5
17	2	STM4011	Ring	Washer
19	1	STM6279	Paspen 8x18 DIN6325	Pin 8x18 DIN6325
20	1	STM3760	PRM DELTA 20	PRM DELTA 20
	1	STM3758	PRM DELTA 30	PRM DELTA 30
21	1	STM3773	Peilstok PRM Delta 20-30	Dipstick PRM Delta 20-30



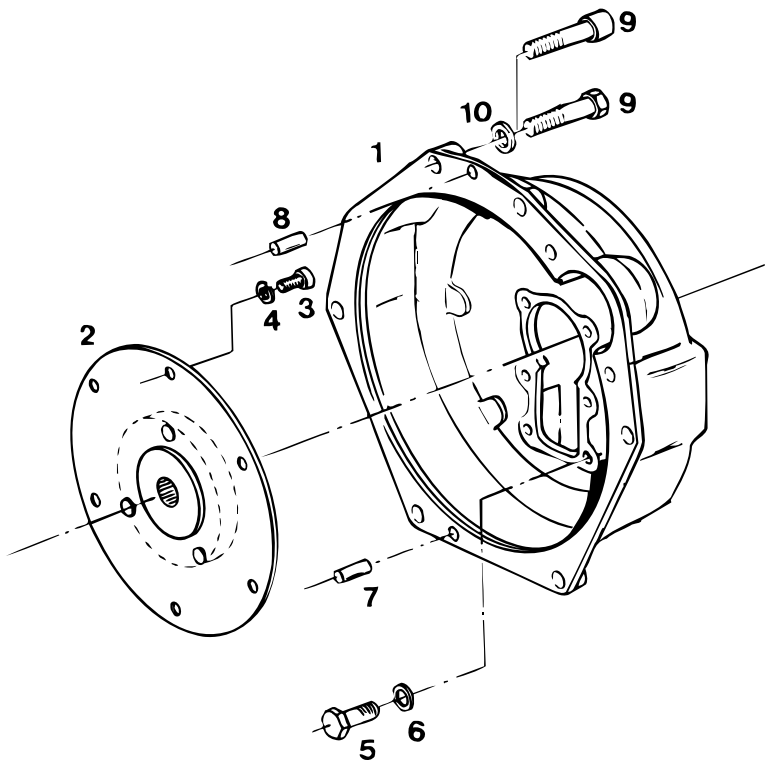
TMC40



ZF10M / ZF12M



PRM150

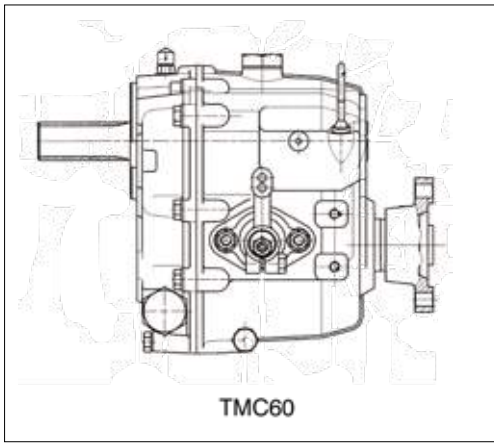


M2.02 M2.04 M2.06 M2.C5
M2.13 M2.18 M2.D5

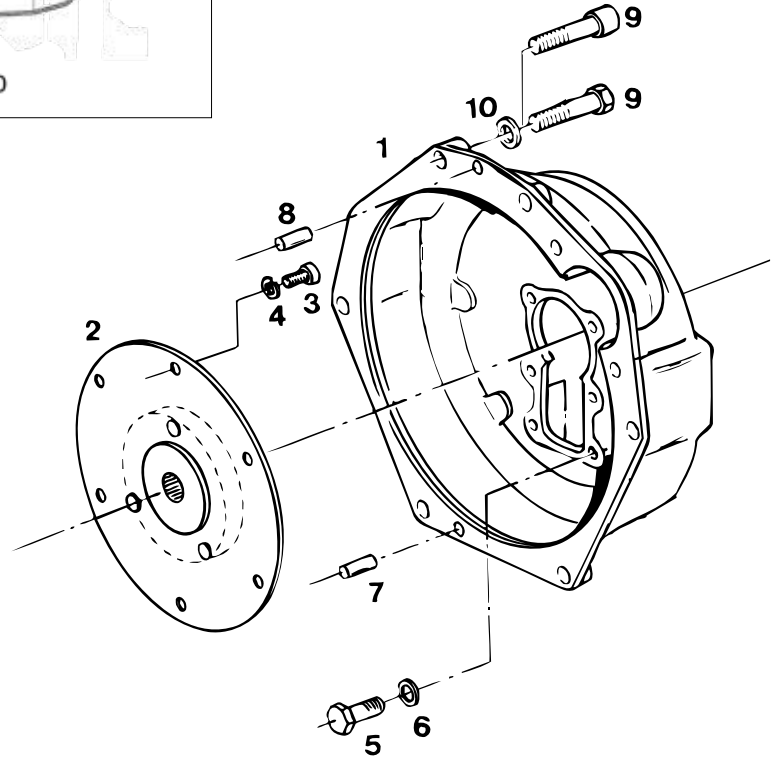
Vliegwielhuis TMC / ZF10M / ZF12M / PRM150D

Flywheel housing TMC / ZF10M ZF12M / PRM150D

pos.	qty	part	benaming	description
1	1	STM6293	Vliegwielhuis ø88	Flywheel housing ø88
	1	STM6294	Vliegwielhuis SAE7 ø209.55	Flywheel housing SAE7 ø209.55
2	1	STM6106	Demperplaat DIN5464 Z=10	Damperplate DIN5464 Z=10
3	6	STM6111	Inbusbout M8x16	Allen screw M8x16
4	6	STM1056	Veerring M8	Spring washer M8
5	6	STM1610	Bout M8x25	Allen screw M8x25
6	6	STM1019	Wave spring washer M8	Wave spring washer M8
7	1	STM2507	Paspen 8x10 DIN6325	Pin 8x10 DIN6325
8	1	STM6279	Paspen 8x18 DIN6325	Pin 8x18 DIN6325
9	6	STM6104	Bout M12x1,25x70 (-> 03-03)	Bolt M12x1.25x70 (-> 03-03)
	6	STM6345	Inbusbout M12x1,25x70 (-> 03-03)	Allen screw M12x1,25x70 (-> 03-03)
10	6	STM4056	Gegolfde veerring M12	Wave spring washer M12



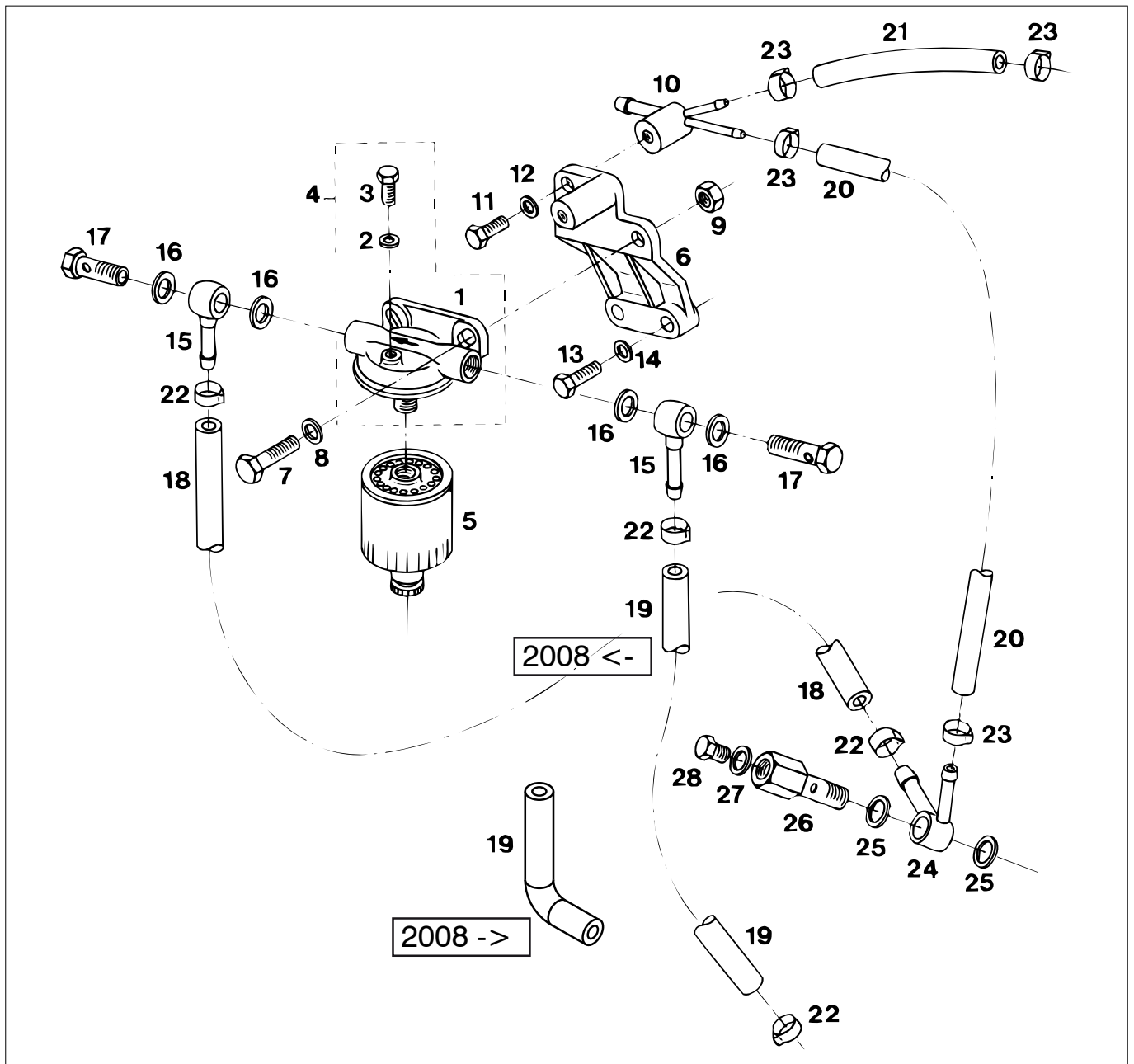
TMC60



M2.02 M2.04 M2.06 M2.C5 Vliegwielhuis TMC60 (A)
M2.13 M2.18 M2.D5

Flywheel housing TMC60 (A)

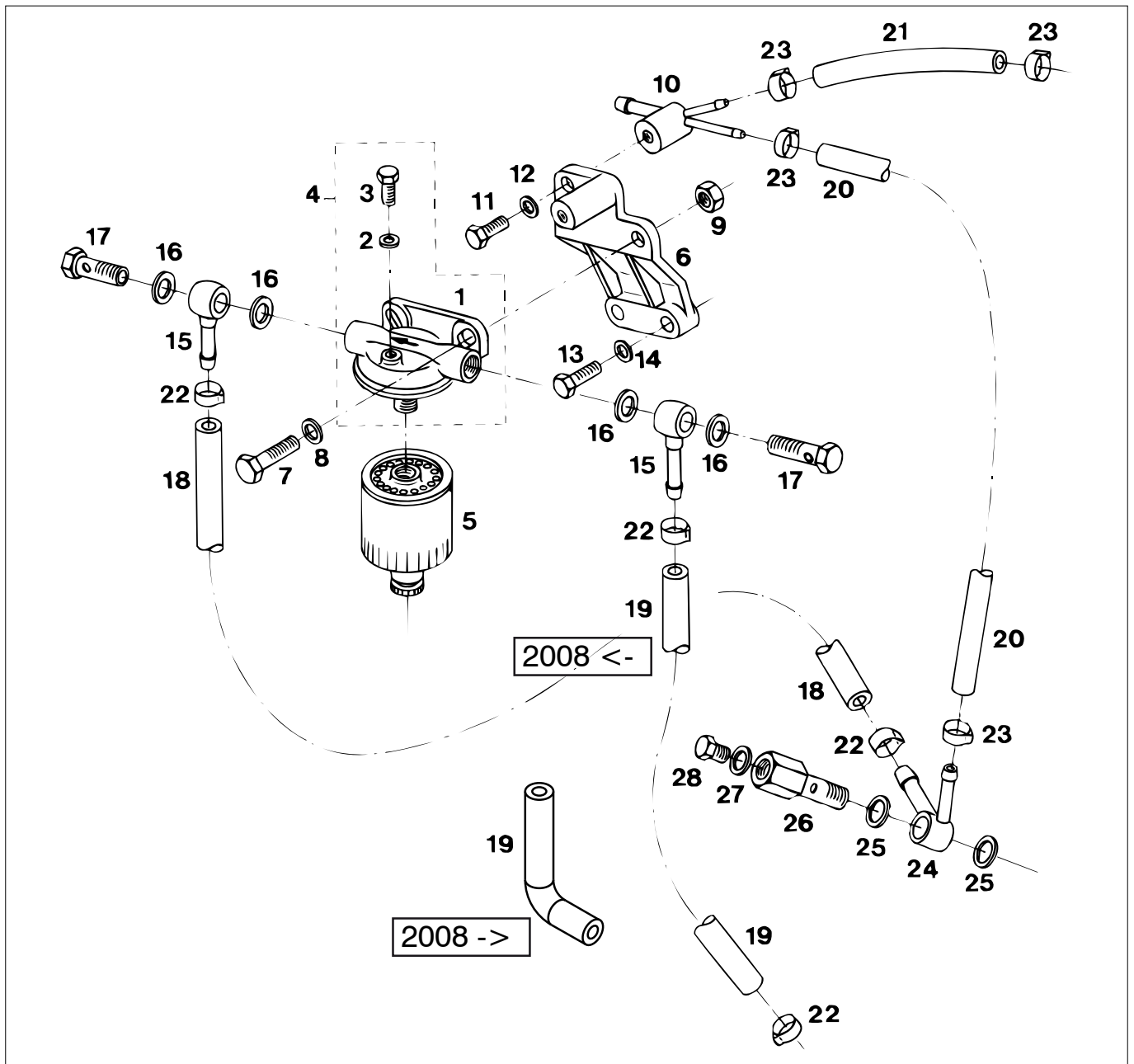
pos.	qty	part	benaming	description
1	1	STM6293	Vliegwielhuis ø88	Flywheel housing ø88
	1	STM6294	Vliegwielhuis SAE7 ø209.55	Flywheel housing SAE7 ø209.55
2	1	STM6106	Demperplaat DIN5464 Z=10	Damperplate DIN5464 Z=10
3	6	STM6111	Inbusbout M8x16	Allen screw M8x16
4	6	STM1056	Veerring M8	Spring washer M8
5	6	STM7059	Bout M8x1,25x30 TMC60	Bolt M8x1.25x30 TMC60
	6	STM1610	Bout M8x1,25x25 TMC60M	Bolt M8x1.25x25 TMC60M
	6	STM7059	Bout M8x1,25x30 TMC60E	Bolt M8x1.25x30 TMC60E
6	6	STM1019	Wave spring washer M8	Wave spring washer M8
7	1	STM2507	Paspen 8x10 DIN6325	Pin 8x10 DIN6325
8	1	STM6279	Paspen 8x18 DIN6325	Pin 8x18 DIN6325
9	6	STM6104	Bout M12x1,25x70 (<- 03-03)	Bolt M12x1.25x70 (<- 03-03)
	6	STM6345	Inbusbout M12x1,25x70 (-> 03-03)	Allen screw M12x1.25x70 (-> 03-03)
10	6	STM4056	Gegolfde veerring M12	Wave spring washer M12



M2.02 M2.04 M2.06 M2.C5 Brandstofffilter 2014 <-
M2.D5

Fuel filter 2014 <-

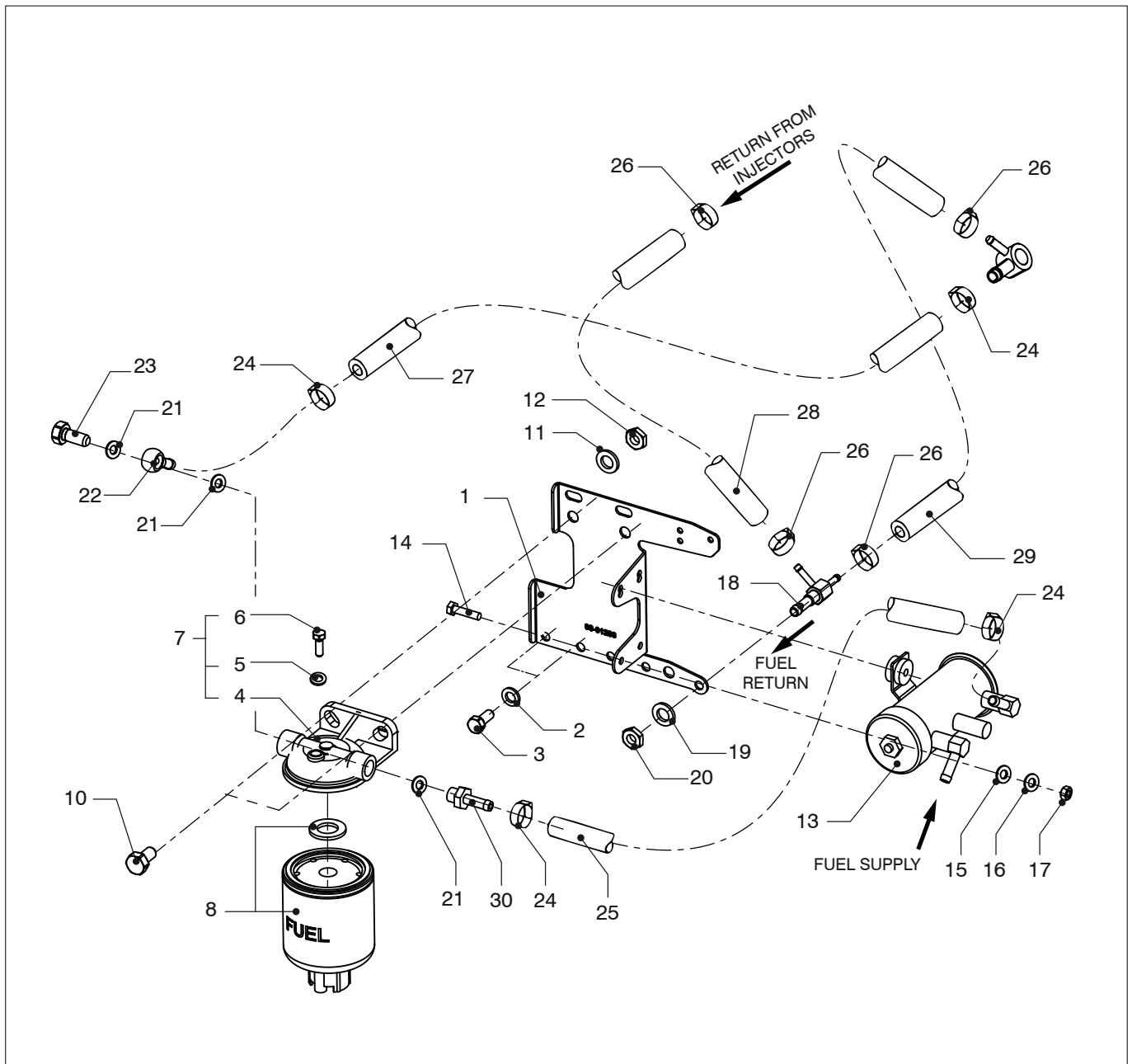
pos.	qty	part	benaming	description
1	1	STM6050	Filterkop	Filter head
2	1	STM3797	Ring	Washer
3	1	STM3696	Bout M8x10	Bolt M8x10
4	1	STM6049	Filterkop compl. 1+2+3	Filter head complete 1+2+3
5	1	STM3690	Brandstofffilter	Fuelfilter
6	1	STM6115	Steun	Support
7	2	STM4013	Bout M10x30	Bolt M10x30
8	2	STM4061	Ring	Washer
9	2	STM4018	Moer M10	Bolt M10
10	1	STM6180	Nippel	Nipple
11	1	STM1030	Bout M6x20	Bolt M6x20
12	1	STM1025	Ring	Washer
13	2	STM7059	Bout M8x30	Bolt M8x30
14	2	STM1019	Ring	Washer
15	2	STM9262	Banjo oog	Banjo eye
16	4	STM7056	Ring	Washer



M2.02 M2.04 M2.06 M2.C5 Brandstoffilter 2014 <-
M2.D5

Fuel filter 2014 <-

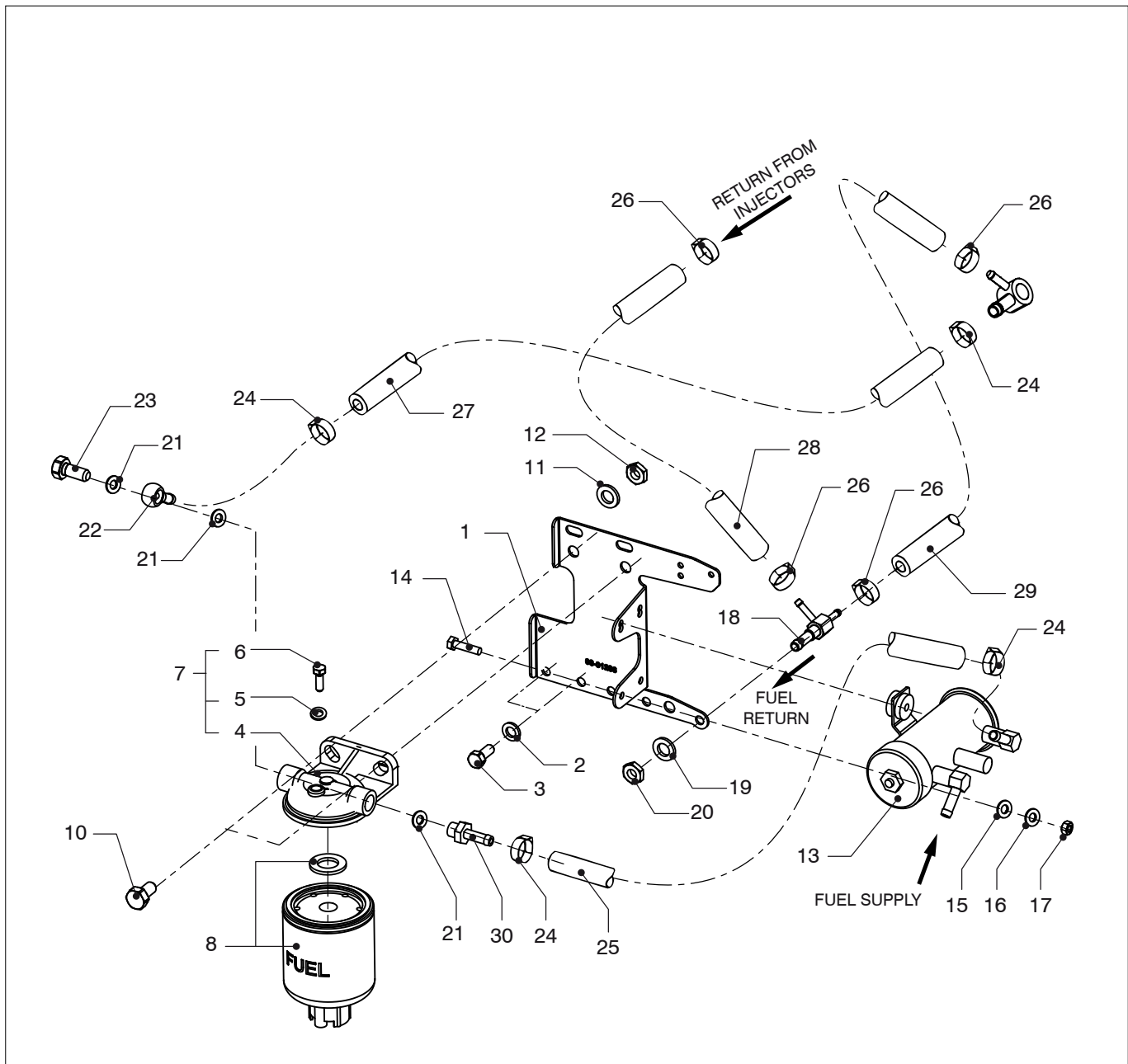
pos.	qty	part	benaming	description
17	2	STM8057	Banjo bout M12x1	Banjo bolt M12x1
18	1	STM6189	Brandstofslang ø8 L=0,28 mtr	Fuel hose ø8 L=0.28 mtr
19	1	STM6190	Brandstofslang ø8 L=0,20 mtr , 2008 <-	Fuel hose ø8 L=0.20 mtr, 2008 <-
	1	STM9468	Brandstofslang ø8, 2008 ->	Fuel hose ø8, 2008 ->
20	1	STM6191	Brandstofslang ø5 L=0,21 mtr	Fuel hose ø5 L=0.21 mtr
21	1	STM6192	Brandstofslang ø5 L=0,08 mtr	Fuel hose ø5 L=0.08 mtr
22	4	STM6185	Klem	Clamp
23	4	STM6186	Klem	Clamp
24	1	STM6256	Banjo oog ø8	Banjo eye ø8
25	2	STM6255	Ring	Washer
26	1	STM6257	Banjo bout	Banjo bolt
27	1	STM6258	Ring	Washer
28	1	STM6259	Bout	Bolt



Brandstoffilter, standaard 2014 ->

Fuel filter, standard 2014 ->

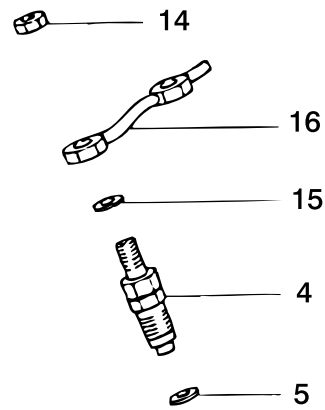
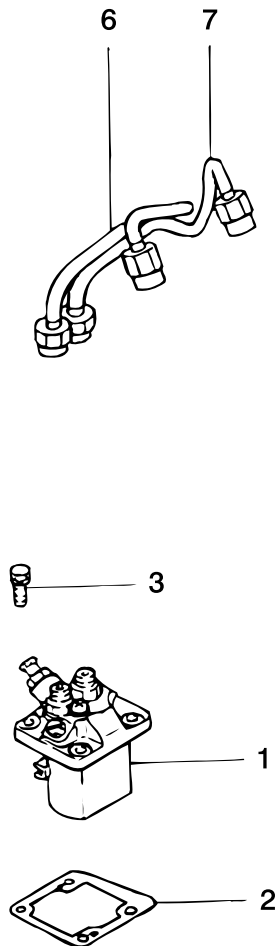
M2.13	M2.18			
pos.	qty	part	benaming	description
1	1	08-01286	Steun	Support
2	2	STM1056	Veerring M8	Spring washer M8
3	2	STM4055	Bout M8x16	Bolt M8x16
4	1	STM6050	Filterkop	Filter head
5	1	STM3779	Afdichtring	Seal washer
6	1	STM3796	Bout M8x1,25x10	Bolt M8x1,25x10
7	1	STM6049	Filterkop compleet 4+5+6	Filter heat cpl. 4+5+6
8	1	STM3690	Brandstof filter	Fuel filter
10	2	STM4016	Bout M10x1,5x20	Bolt M10x1,5x20
11	2	STM4061	Gegolfde veerring M10	Wave spring washer M10
12	2	STM4018	Moer M10	Nut M10
13	1	08-01297	Electrische brandstofopvoerpomp	Electric fuel lift pump
14	2	STM8372	Bout M6x25	Bolt M6x25
15	2	STM8726	Sluitring M6	Plain washer M6
16	2	STM1025	Gegolfde veerring M6	Wave spring washer M6
17	2	STM8569	Moer M6	Nut M6



Brandstoffilter, standaard 2014 ->

Fuel filter, standard 2014 ->

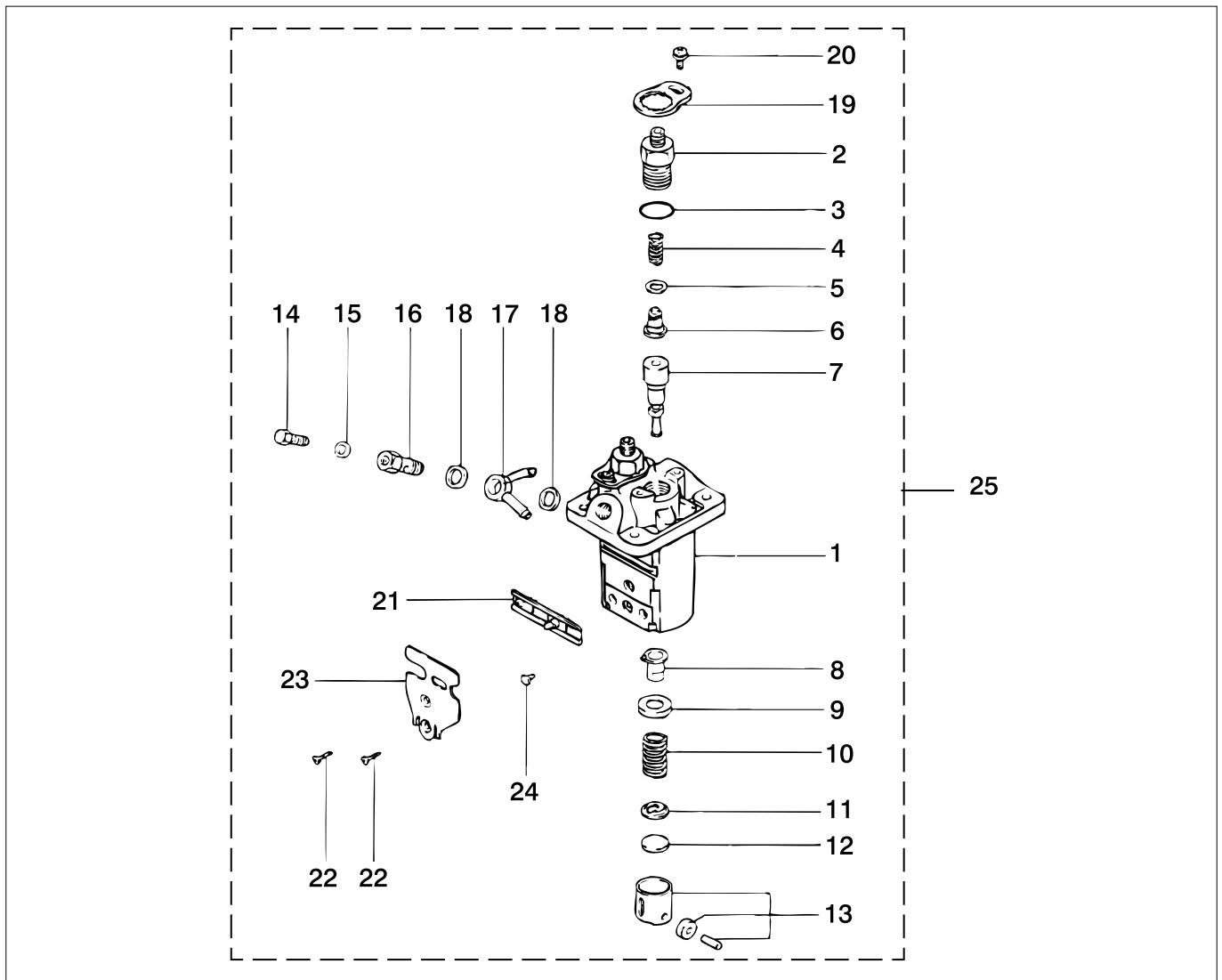
M2.13	M2.18			
pos.	qty	part	benaming	description
18	1	08-01302	Brandstof retour nippel Ø8mm	Fuel return nipple Ø8mm
19	1	STM2022	Gegolfde veerring M10	Wave spring washer M10
20	1	08-01289	Lage moer M10x1	Thin nut M10x1
21	3	STM7056	Afdichtring M12	Seal washer M12
22	1	STM9262	Banjo-ooq	Banjo eye
23	1	STM8057	Banjo bout M12x1	Banjo bolt M12x1
24	4	STM6185	Klem	Clamp
25	1	08-01377	Slang ø8 L=145 mm	Hose ø8 L=145 mm
26	4	STM6186	Klem	Clamp
27	1	08-01378	Slang ø8 L=400 mm	Hose ø8 L=400 mm
28	1	08-01379	Slang ø5 L=170 mm	Hose ø8 L=170 mm
29	1	08-01380	Slang ø5 L=330 mm	Hose ø8 L=330 mm
30	1	STM4591	Slangpilaar M12x1-ø8	Hose pillar M12x1-ø8



M2.02 M2.04 M2.06 M2.C5 Brandstofsysteem
M2.13 M2.18 M2.18 M2.D5

Fuel system

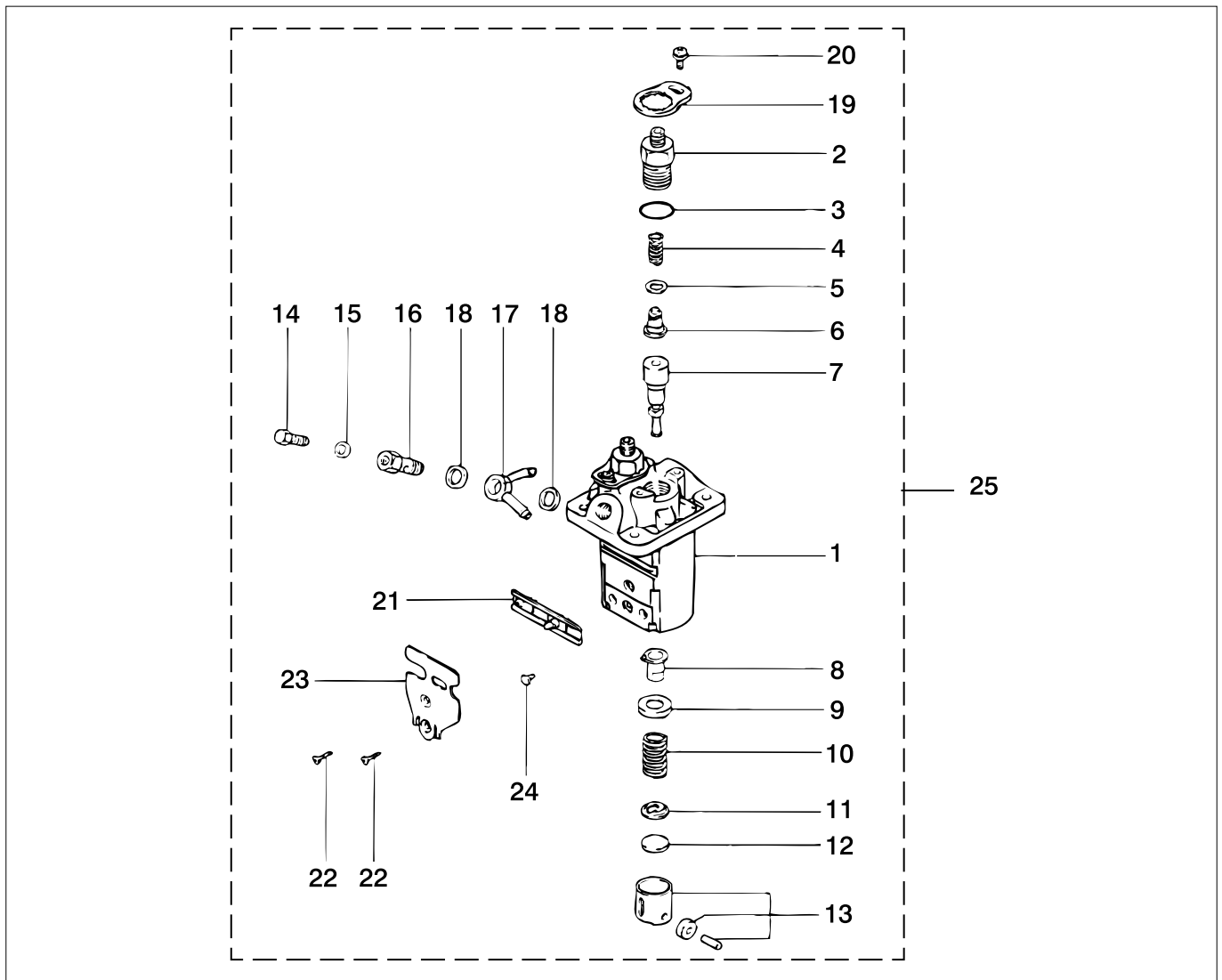
pos.	qty	part	benaming	description
1	1	STM1426	Pomp M2.06/M2.13/M2.18	Pump assy M2.06/M2.13/M2.18
	1	STM1427	Pomp M2.04	Pump assy M2.04
	1	STM1098	Pomp M2.C5/M2.D5	Pump assy M2.C5/M2.D5
2	1	STM1288	Shim 0,2	Shim 0.2
	1	STM1289	Shim 0,3	Shim 0.3
	1	STM1290	Shim 0,4	Shim 0.4
	1	STM1291	Shim 0,5	Shim 0.5
	1	STM1292	Shim 0,6	Shim 0.6
	1	STM1293	Shim 0,7	Shim 0.7
	1	STM1294	Shim 0,8	Shim 0.8
	1	STM1295	Shim 0,9	Shim 0.9
	1	STM1296	Shim 1,0	Shim 1.0
3	4	STM1297	Bout	Bolt
4	2	STM1298	Verstuiver & houder	Nozzle & holder
5	2	STM1299	Pakking	Gasket
6	1	STM1300	Brandstofleiding	Fuel pipe
7	1	STM1301	Brandstofleiding	Fuel pipe
14	2	STM1302	Moer	Nut
15	2	STM1303	Pakking	Gasket
16	1	STM1304	Retourleiding	Return pipe



M2.02 M2.04 M2.06 M2.C5 Brandstofpomp
M2.13 M2.18 M2.D5

Fuel pump

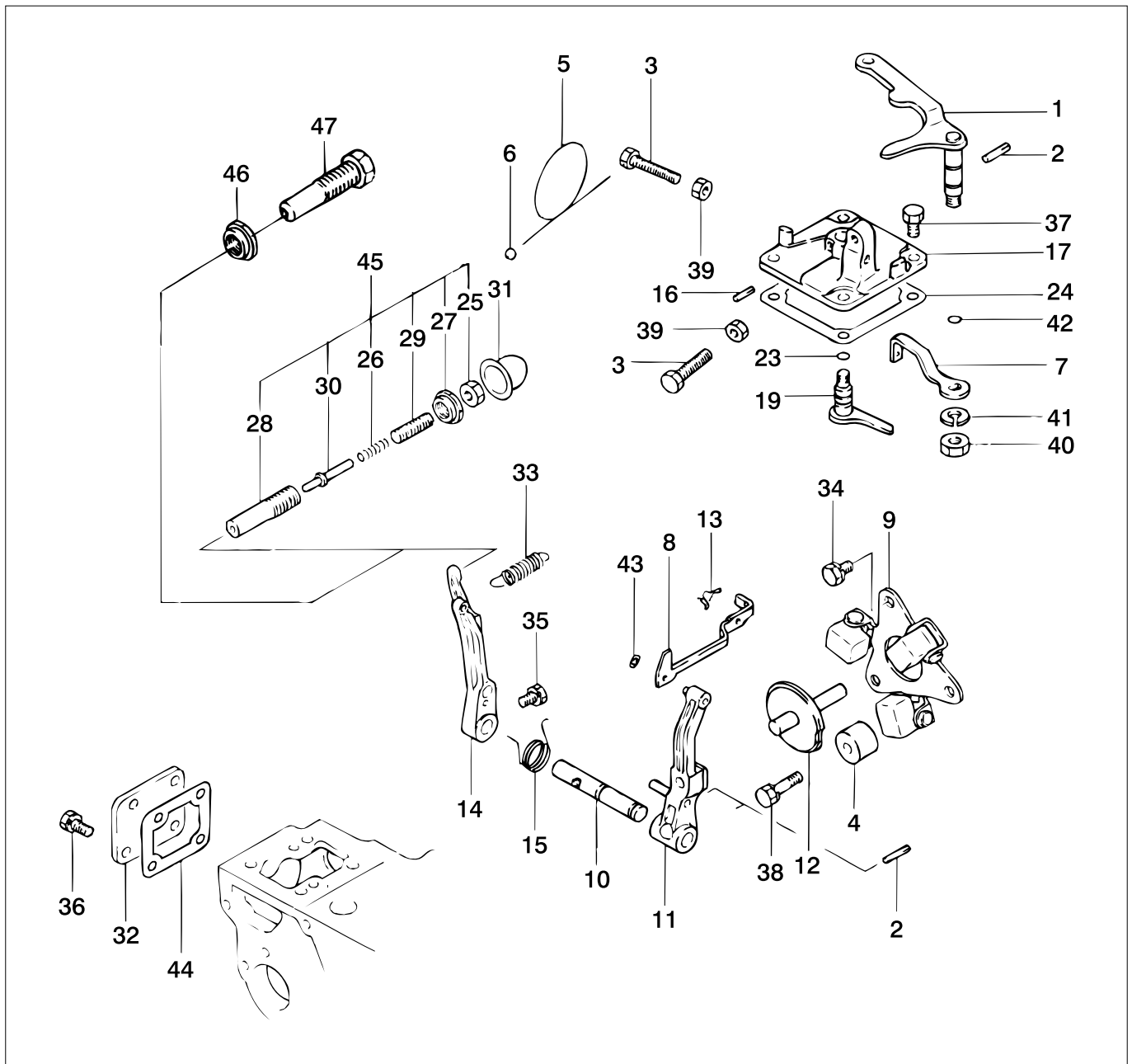
pos.	qty	part	benaming	description
1	1	STM1305	Huis	House sub assy
2	2	STM1306	Houder	Holder
3	2	STM1307	O-ring	O-ring
4	2	STM1308	Veer	Spring
5	2	STM1309	Afdichting	Gasket
6	2	STM1310	Klep onder	Valve sub assy
7	2	STM1428	Element onder M2.06/M2.13/M2.18	Element sub assy M2.06/M2.13/M2.18
	2	STM1429	Element onder M2.04	Element sub assy M2.04
	2	STM1099	Element onder M2.C5/M2.D5	Element sub assy M2.C5/M2.D5
8	2	STM1312	Bus	Sleeve
9	2	STM1313	Zitting	Seat
10	2	STM1314	Veer	Spring
11	2	STM1315	Veer	Spring
12	1	STM1316	Shim 1,85	Shim 1.85
	1	STM1317	Shim 1,9	Shim 1.9
	1	STM1318	Shim 1,95	Shim 1.95
	1	STM1319	Shim 2,0	Shim 2.0
	1	STM1320	Shim 2,05	Shim 2.05
	1	STM1321	Shim 2,1	Shim 2.1
	1	STM1322	Shim 2,15	Shim 2.15
	1	STM1323	Shim 2,2	Shim 2.2



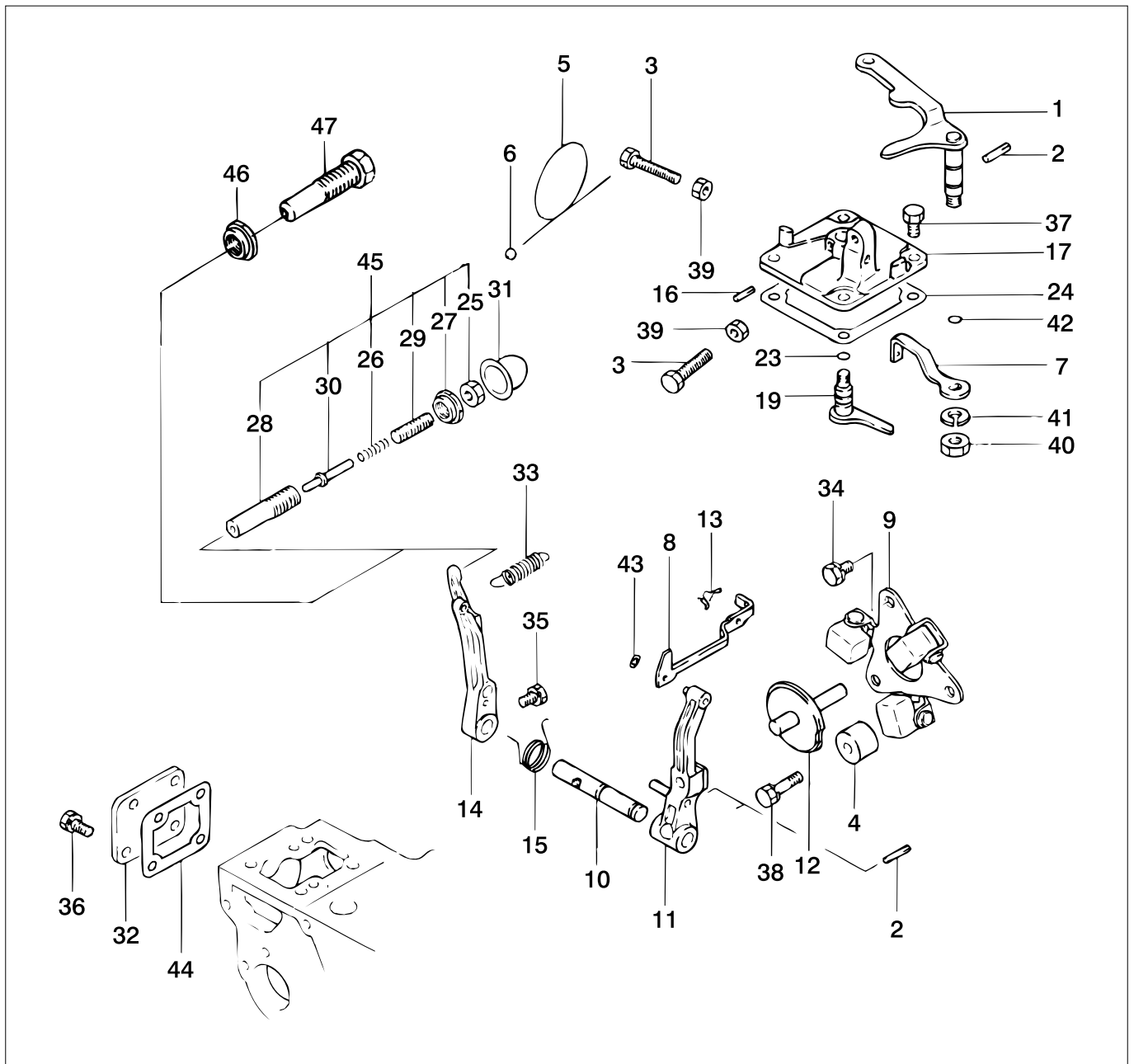
M2.02 M2.04 M2.06 M2.C5 Brandstofpomp
M2.13 M2.18 M2.D5

Fuel pump

pos.	qty	part	benaming	description
	1	STM1324	Shim 2,25	Shim 2.25
	1	STM1325	Shim 2,3	Shim 2.3
	1	STM1326	Shim 2,35	Shim 2.35
	1	STM1327	Shim 2,4	Shim 2.4
	1	STM1328	Shim 2,45	Shim 2.45
	1	STM1329	Shim 2,5	Shim 2.5
13	2	STM1330	Klepstoter	Tappet assy
14	1	STM6259	Bout	Screw
15	1	STM6258	Ring	Washer
16	1	STM6257	Banjo bout	Banjo bolt
17	1	STM6256	Banjo oog ø8	Banjo eye ø8
18	2	STM6255	Ring	Washer
19	2	STM1331	Borg plaat	Lock plate
20	2	STM1332	Schroef	Screw
21	1	STM1333	Heugel	Rack assy
22	2	STM1334	Schroef	Screw
23	1	STM1335	Beugel	Bracket
24	2	STM1336	Pen	Pin
25	1	STM1426	Pomp 1 t/m 24 M2.06/M2.13/M2.18	Pump assy 1 til 24 M2.06/M2.13/M2.18
	1	STM1427	Pomp 1 t/m 24 M2.04	Pump assy 1 til 24 M2.04
	1	STM1098	Pomp 1 t/m 24 M2.C5/M2.D5	Pump assy 1 til 24 M2.C5/M2.D5



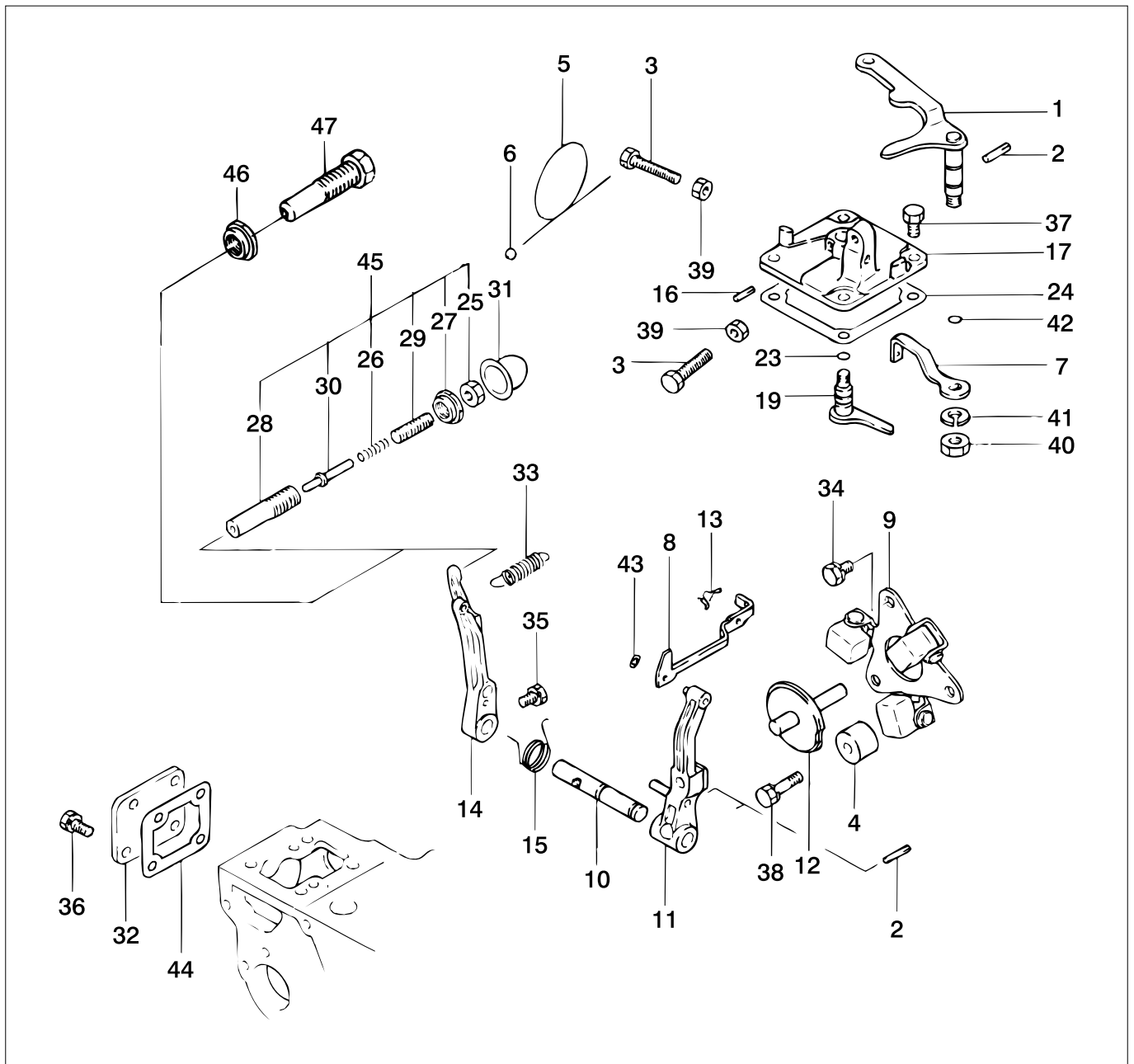
M2.02 M2.13	M2.04	M2.06 M2.18	M2.C5 M2.D5	Regulateur	Regulator
pos.	qty	part	benaming	description	
1	1	STM1337	Hefboom	Lever assy	
2	3	STM1338	Pen	Pin	
3	2	STM2720	Bout	Bolt	
4	1	STM1339	Stop	Stopper	
5	1	STM2719	Draad	Wire	
6	1	STM1340	Zegellood	Metal sealing	
7	1	STM1341	Hefboom	Lever	
8	1	STM1342	Stang	Stang	
9	1	STM1343	Verzwareing	Weight assy	
10	1	STM1344	As	Shaft	
11	1	STM1345	Hefboom	Lever	
12	1	STM1346	As	Shaft assy	
13	1	STM1347	Clip	Clip	
14	1	STM1348	Hefboom	Lever	
15	1	STM1349	Veer	Spring	
16	1	STM1351	Pen	Pin	



M2.02 M2.04 M2.06 M2.C5 Regulateur
M2.13 M2.18 M2.D5

Regulator

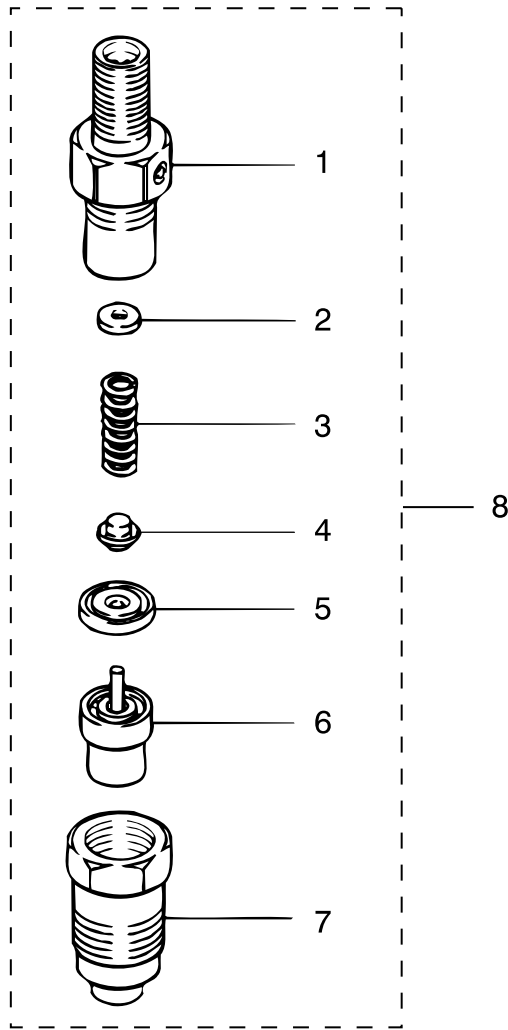
pos.	qty	part	benaming	description
17	1	STM1352	Deksel	Cover
18	1	STM1353	Veer	Spring
24	1	STM1354	Pakking	Gasket
25	1	STM1356	Moer	Nut
26	1	STM1357	Veer	Spring
27	1	STM1358	Moer	Nut
28	1	STM1359	Huis	Case
29	1	STM1360	Schroef	Screw
30	1	STM1361	Stop	Stopper
31	1	STM1362	Kap	Cap
32	1	STM1363	Deksel	Cover
33	1	STM1364	Blauwe veer M2.04/M2.06/M2.13/M2.18	Spring blue M2.04/M2.06/M2.13/M2.18
	1	STM1441	Roze veer M2.D5/M2.C5	Spring pink M2.D5/M2.C5
34	2	STM2737	Bout	Bolt
35	1	STM1365	Bout	Bolt
36	4	STM1366	Bout	Bolt



M2.02 M2.04 M2.06 M2.C5 Regulateur
M2.13 M2.18 M2.D5

Regulator

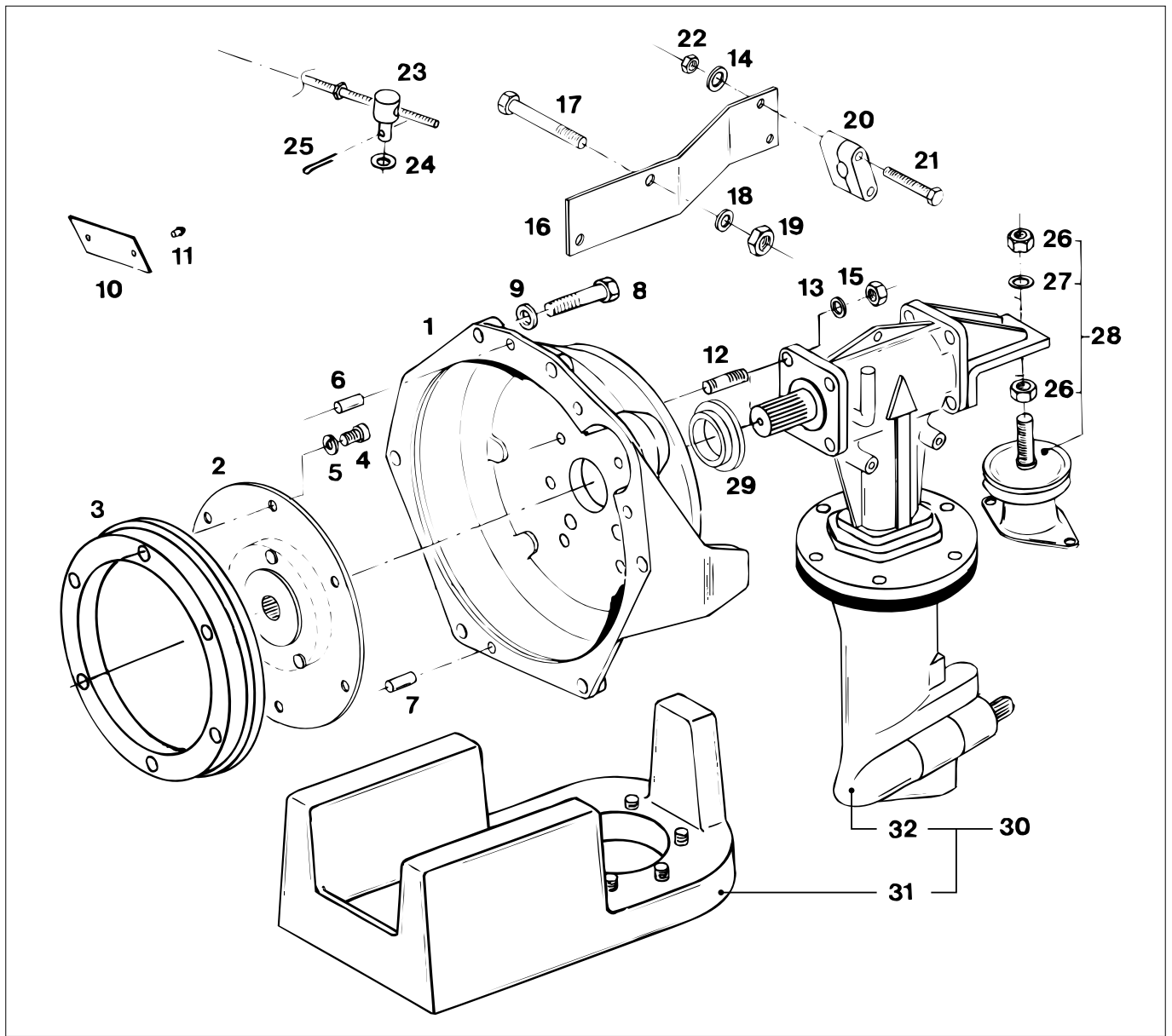
pos.	qty	part	benaming	description
37	4	STM1367	Bout	Bolt
38	1	STM1368	Bout	Bolt
39	2	STM1369	Moer	Nut
40	1	STM1370	Moer	Nut
41	1	STM1371	Ring	Washer
42	1	STM1372	O-ring	O-ring
43	1	STM1373	Borgring	Ring snap
44	1	STM1374	Pakking	Gasket
45	1	STM1355	Verenset 25 t/m 30	Spring set 25 til 30
46	1	STM1439	Borgmoer 06-97->	Lock nut 06-97->
47	1	STM1440	Stelbout 06-97->	Set bolt 06-97->



M2.02 M2.04 M2.06 M2.C5 Verstuiverhouder
M2.13 M2.18 M2.D5

Nozzle holder

pos.	qty	part	benaming	description
1	2	STM1377	Verstuiverhouder	Body sub assy
2	1	STM1378	Shim 1,25	Shim 1.25
	1	STM1379	Shim 1,3	Shim 1.3
	1	STM1380	Shim 1,35	Shim 1.35
	1	STM1381	Shim 1,4	Shim 1.4
	1	STM1382	Shim 1,45	Shim 1.45
	1	STM1383	Shim 1,5	Shim 1.5
	1	STM1384	Shim 1,55	Shim 1.55
	1	STM1385	Shim 1,6	Shim 1.6
	1	STM1386	Shim 1,65	Shim 1.65
3	2	STM1388	Veer	Spring
4	2	STM1389	Pen	Pin
5	2	STM1390	Afstandstuk	Distance piece
6	2	STM1391	Verstuiver	Nozzle assy
7	2	STM1392	Moer	Nut
8	2	STM1298	Verstuiver cpl. 1 t/m 7	Nozzle cpl. 1 till 7

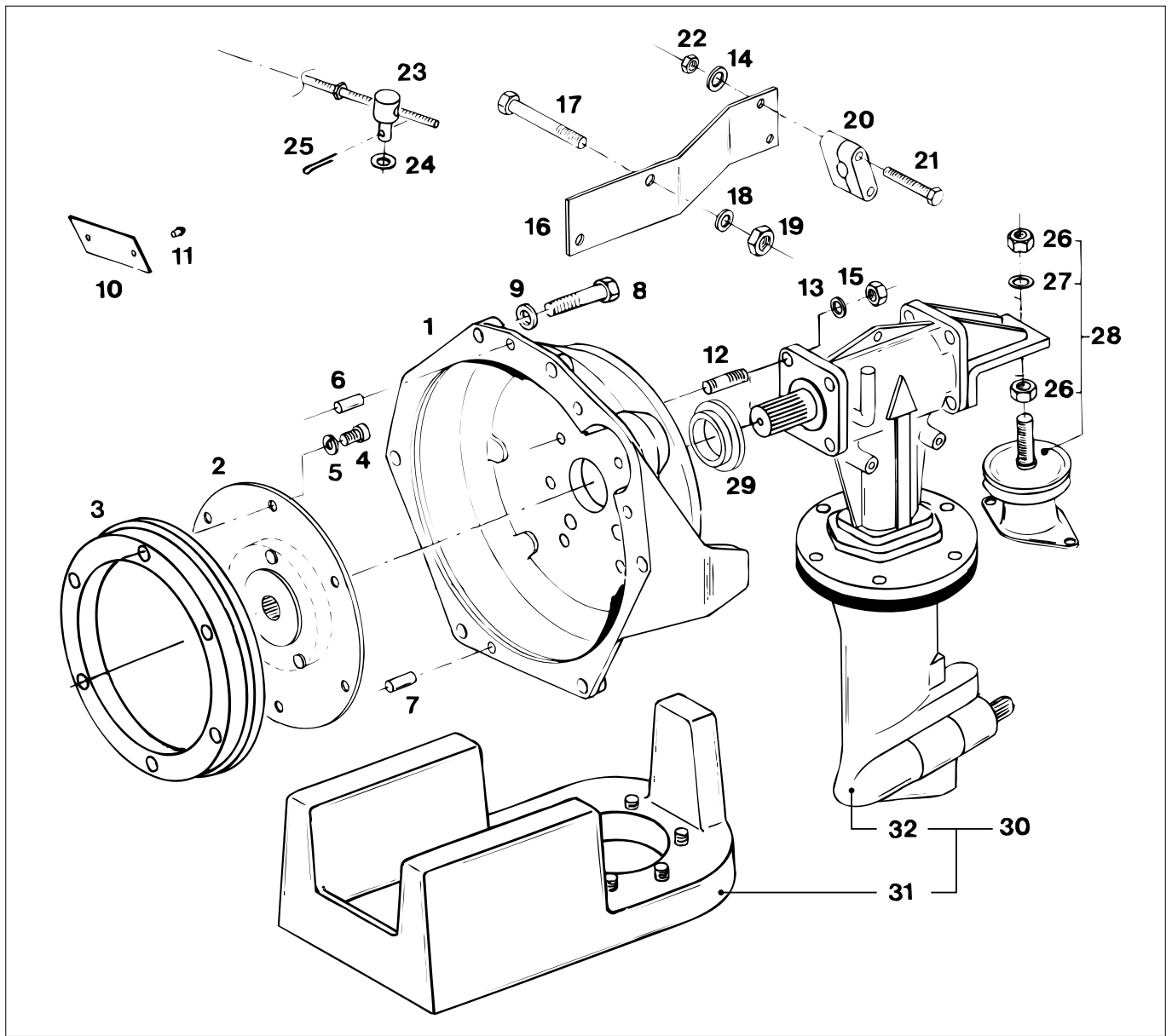


M2.04 M2.06

Saildrive Lombardini

Saildrive Lombardini

pos.	qty	part	benaming	description
1	1	STM6105	Vliegwielhuis PRM Saildrive	Flywheel housing PRM Saildrive
2	1	STM6106	Demperplaat DIN5464 Z=10	Damper plate DIN5464 Z=10
3	1	STM6219	Ring	Washer
4	6	STM1651	Bout M8x35	Bolt M8x35
5	6	STM1056	Ring	Washer
6	1	STM6279	Paspen 8x18 DIN6325	Pin 8x18 DIN6325
7	1	STM2507	Paspen 8x10 DIN6325	Pin 8x10 DIN6325
8	6	STM6104	Bout M12x1,75x70	Bolt M12x1,75x 70
9	6	STM4056	Ring	Washer
10	1	STM1054	Typeplaatje	Type Plate
11	2	STM3528	Kerfnagel 3x5 DIN1476	Nail 3x5 DIN1476
12	4	STM6216	Tapeind M10x30	Stud M10x13
13	4	STM2022	Ring	Washer
14	2	STM1707	Ring	Washer
15	4	STM4018	Moer M10	Nut M10
16	1	STM6904	Steun	Support
17	2	STM6909	Bout M10x120	Bolt M10x120
18	2	STM4014	Ring	Washer

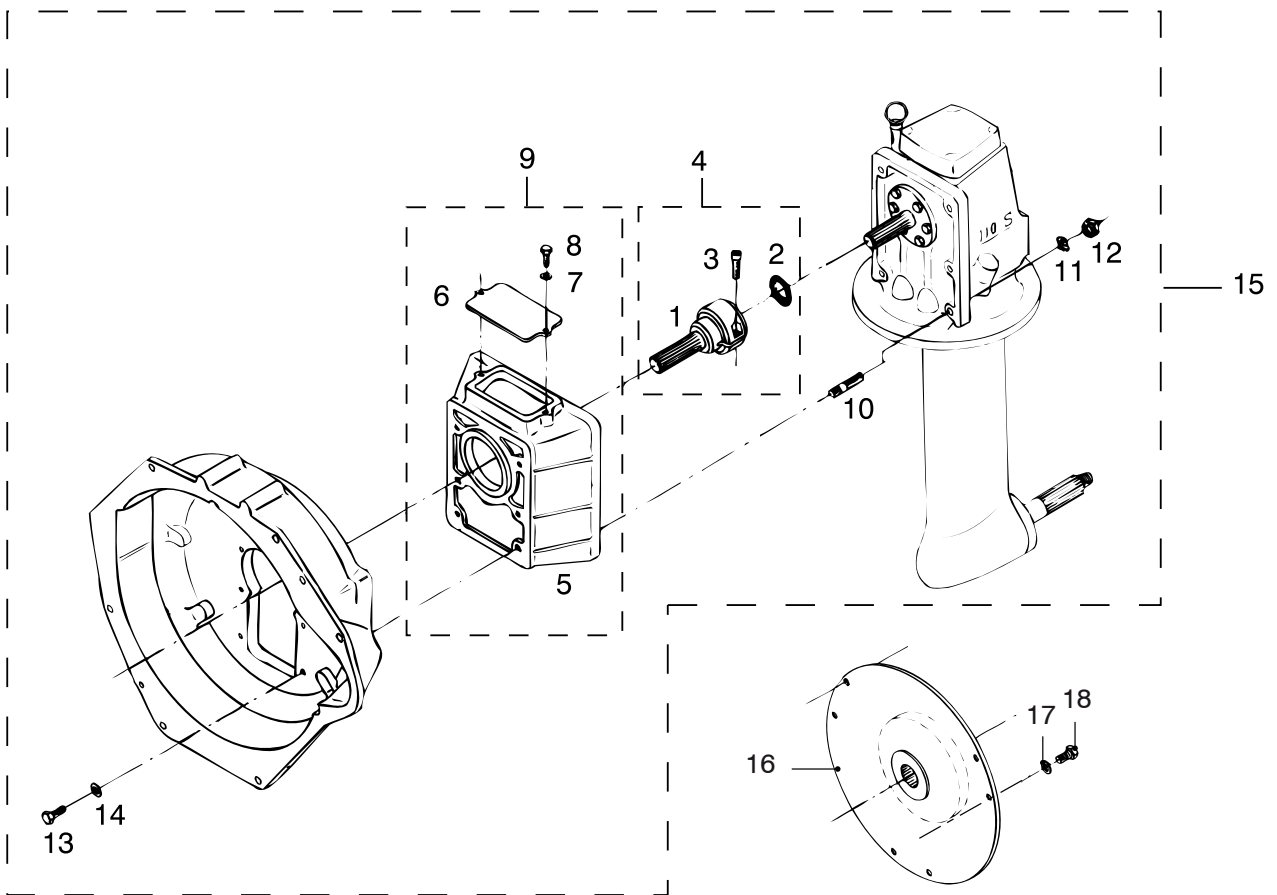


M2.04 M2.06

Saildrive Lombardini

Saildrive Lombardini

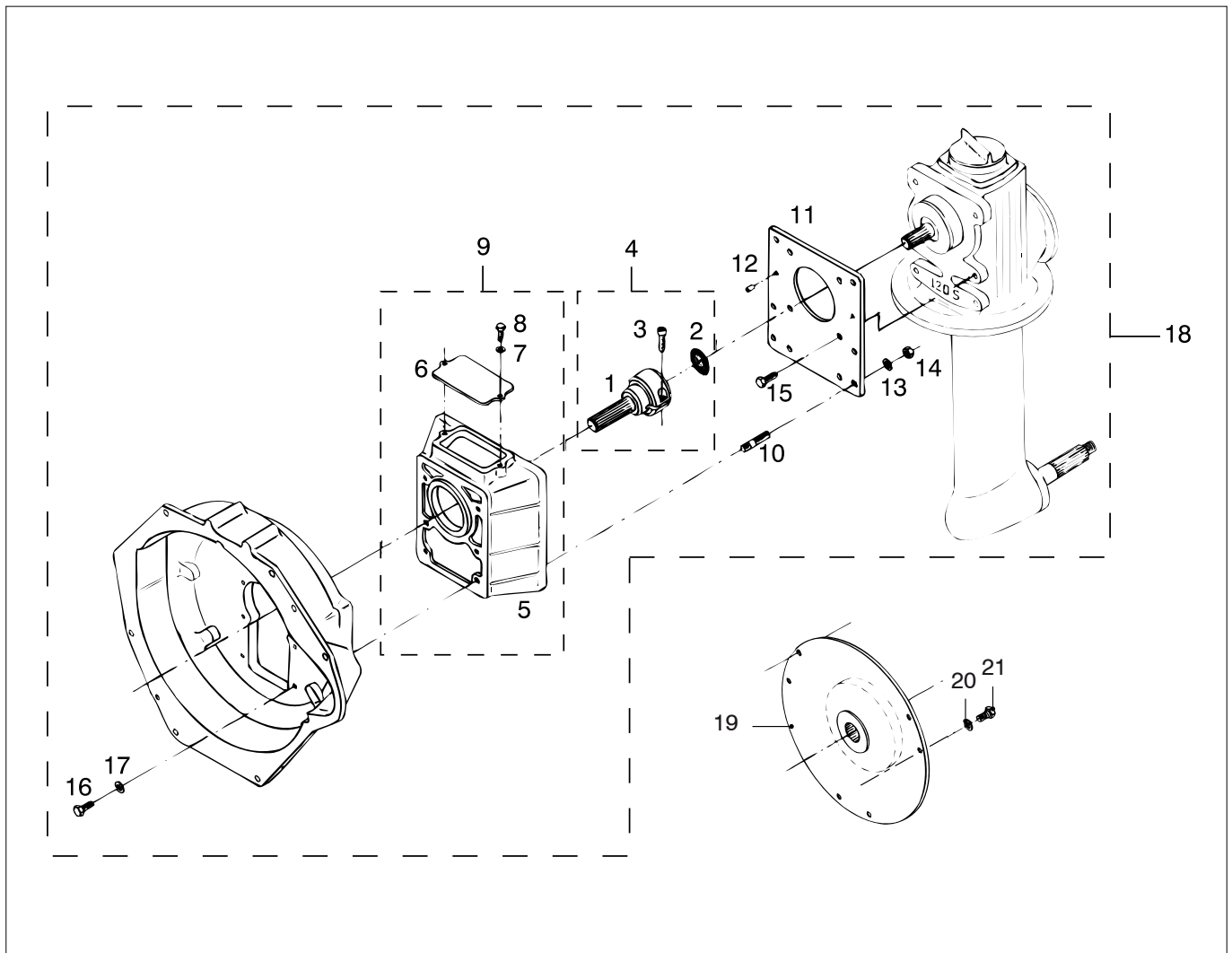
pos.	qty	part	benaming	description
19	2	STM4018	Moer M10	Nut M10
20	1	STM1703	Kabelklem	Cable clamp
21	2	STM1704	Bout M5x25	Bolt M5x25
22	2	STM1705	Moer M5	Moer M5
23	1	STM1806	Nippel	Nipple
24	1	STM1807	Ring	Washer
25	1	STM1808	Splitpen 2x25	Split pin 2x25
26	2	STM4010	Moer M16x1,5	Nut M16x1,5
27	1	STM4011	Ring	Washer
28	1	MITSTEUN	Hydrodemper	Hydro Mount
29	1	STM6226	Centreer ring	Centring ring
30	1	STM5900	Staatstuk + fundatie	Tail piece + engine bed
31	1	STM6905	Fundatie	Engine bed
32	1	STM6906	Staatstuk	Tail piece
33	1	STM6909	Zinkanode Selva	Zinc anode Selva
34	1	STM6910	Moer RVS M16 Selva	Nut SS M16 Selva
35	1	STM1387	Shim 1,7	Shim 1.7



M2.02 M2.04 M2.06 M2.C5 Verloopset saildrive 110S
M2.13 M2.18 M2.D5

Adaptor kit saildrive 110S

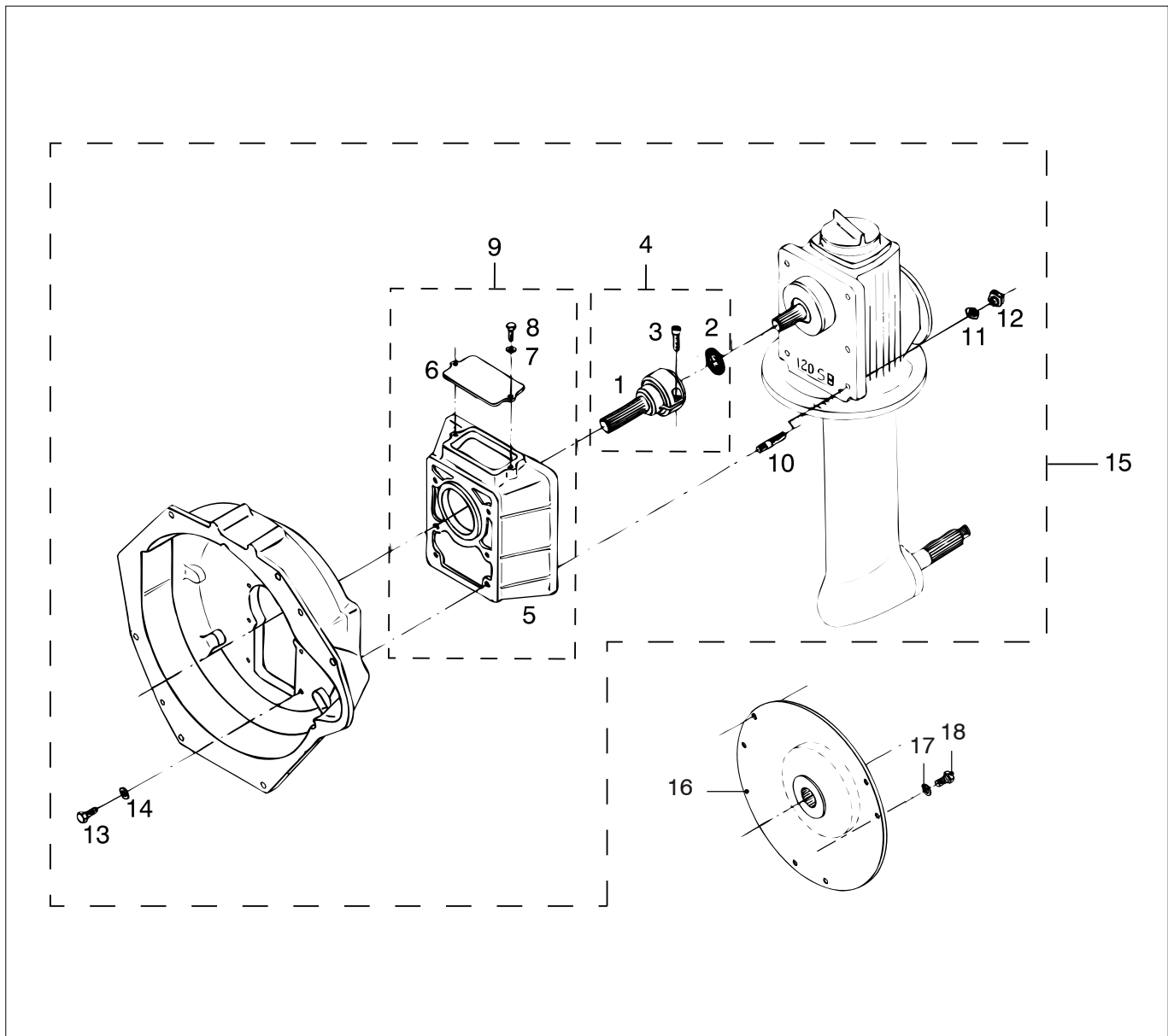
pos.	qty	part	benaming	description
1	1	STM7605	Koppeling	Coupling
2	1	STM7607	O-ring	O-ring
3	2	STM8332	Inbusbout M8x30	Allen screw M8x30
4	1	STM7611	Koppeling compleet (1+2+3)	Coupling cpl.(1+2+3)
5	1	STM7601	Adapterhuis	Adaptor case
6	1	STM7603	Deksel	Cover
7	2	STM1025	Gegolfde veerring M6	Wave spring washer M6
8	2	STM1024	Bout M6x15	Bolt M6x15
9	1	STM7612	Adapterhuis cpl. (5+6+7+8)	Adaptor case cpl. (5+6+7+8)
10	6	STM7615	Tapeind M10x45	Stud M10x45
11	6	STM2022	Gegolfde veerring M10	Vave spring washer M10
12	6	STM4018	Moer M10	Nut M10
13	6	STM1651	Bout M8x35	Bolt M8x35
14	6	STM1019	Gegolfde veerring M8	Wave spring washer M8
15	1	STM7614	Aanbouwset cpl.	Adaptor kit cpl.
16	1	STM4104	Demperplaat DIN splines Z=10	Damper plate DIN splines Z=10
17	6	STM1056	Veerring M8	Spring washer M8
18	6	STM4055	Bout M8x1,25x16	Bolt M8x1.25x16



M2.02 M2.04 M2.06 M2.C5 Verloopset saildrive 120S
M2.13 M2.18 M2.D5

Adaptor kit saildrive 120S

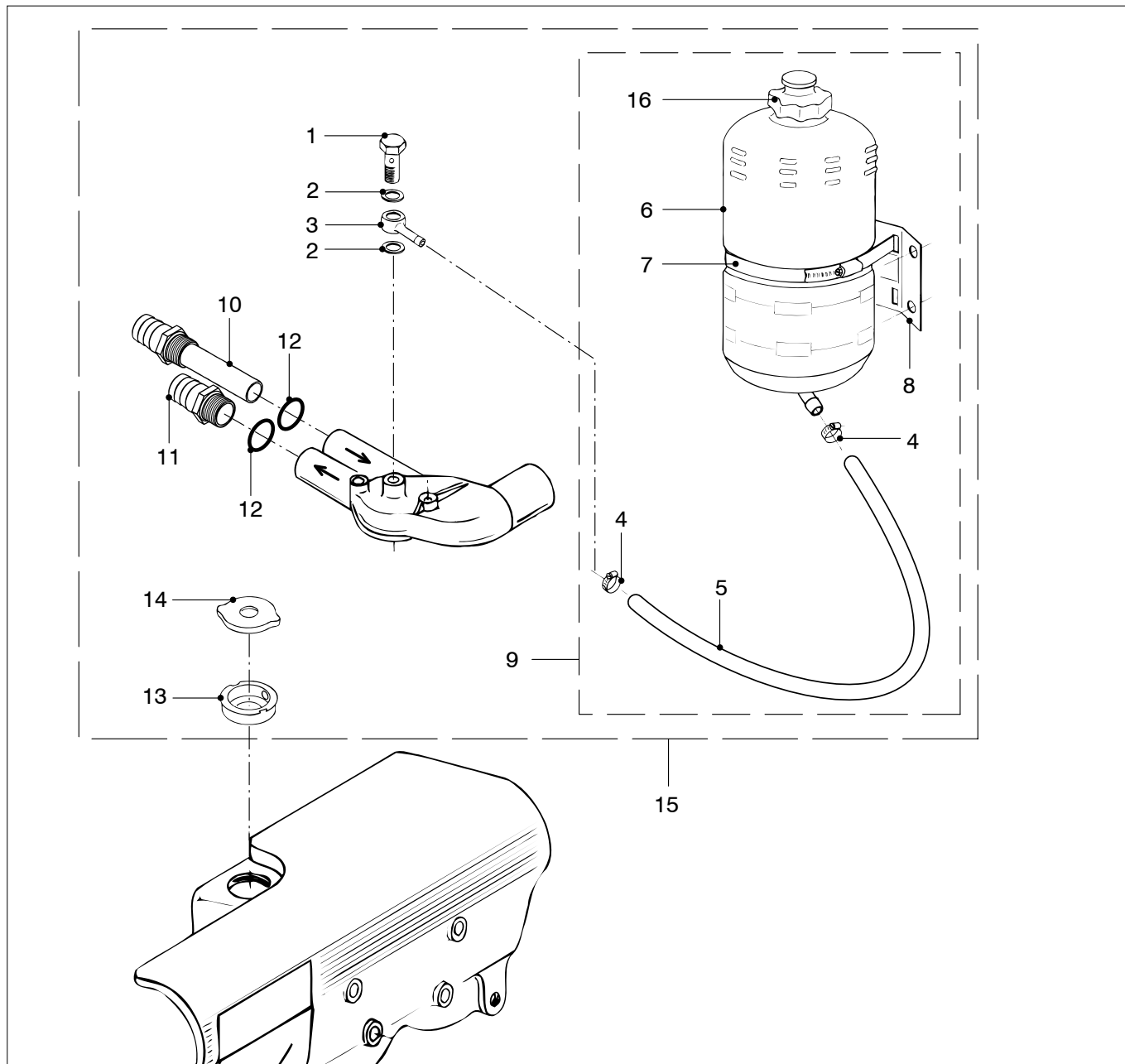
pos.	qty	part	benaming	description
1	1	STM7606	Koppeling	Coupling
2	1	STM7608	O-ring	O-ring
3	2	STM8332	Inbusbout M8x30	Allen screw M8x30
4	1	STM7616	Koppeling compleet (1+2+3)	Coupling cpl. (1+2+3)
5	1	STM7601	Adapterhuis	Adaptor case
6	1	STM7603	Deksel	Cover
7	2	STM1025	Gegolfde veerring M6	Wave spring washer M6
8	2	STM1024	Bout M6x15	Bolt M6x15
9	1	STM7612	Adapterhuis cpl. (5+6+7+8)	Adaptor case cpl. (5+6+7+8)
10	6	STM7620	Tapeind M10x20	Stud M10x20
11	1	STM7604	Adapterflens	Adaptor flange
12	2	STM2507	Paspn ø8x12	Pin ø8x12
13	6	STM2022	Gegolfde veerring M10	Wave spring washer M10
14	6	STM4018	Moer M10	Nut M10
15	6	STM8391	Bout M10x25 (sw16)	Bolt M10x25
16	6	STM1651	Bout M8x35	Bolt M8x35
17	6	STM1019	Gegolfde veerring M8	Wave spring washer M8
18	1	STM7621	Aanbouwset cpl.	Adator kit cpl.
19	1	STM4104	Demperplaat DIN splines Z=10	Damper plate DIN splines Z=10
20	6	STM1056	Veerring M8	Spring washer M8
21	6	STM4055	Bout M8x1,25x16	Bolt M8x1.25x16



M2.02 M2.04 M2.06 M2.C5 Verloopset saildrive 120SB
M2.13 M2.18 M2.D5

Adaptor kit saildrive 120SB

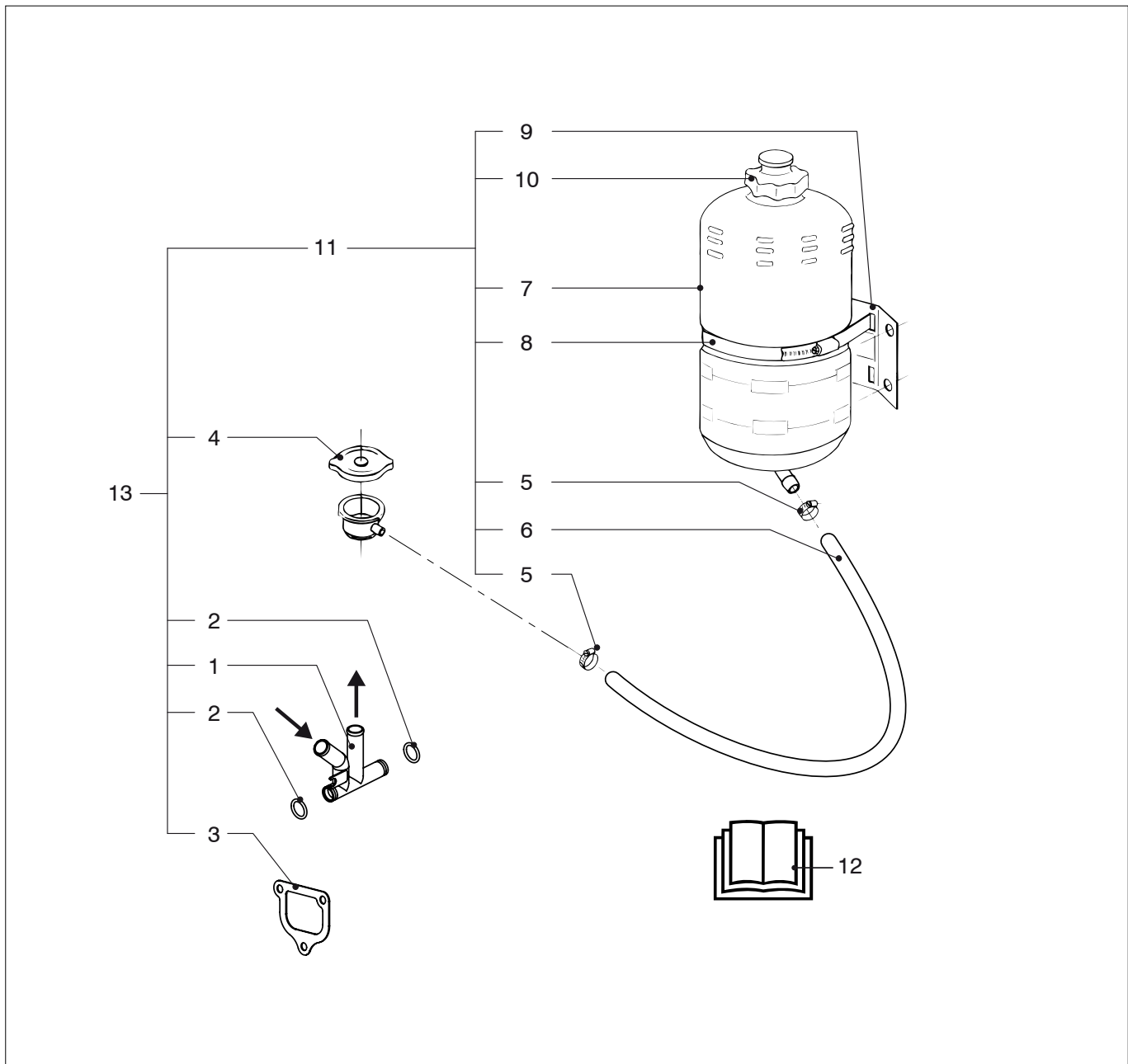
pos.	qty	part	benaming	description
1	1	STM7606	Koppeling	Coupling
2	1	STM7608	O-ring	O-ring
3	2	STM8332	Inbusbout M8x30	Allen screw M8x30
4	1	STM7616	Koppeling compleet (1+2+3)	Coupling cpl. (1+2+3)
5	1	STM7602	Adapterhuis	Adaptor case
6	1	STM7603	Deksel	Cover
7	2	STM1025	Gegolfde veerring M6	Wave spring washer M6
8	2	STM1024	Bout M6x15	Bolt M6x15
9	1	STM7617	Adapterhuis cpl. (5+6+7+8)	Adaptor case cpl. (5+6+7+8)
10	6	STM7618	Tapeind M10x35	Stud M10x35
11	6	STM2022	Gegolfde veerring M10	Wave spring washer M10
12	6	STM4018	Moer M10	Nut M10
13	6	STM1651	Bout M8x35	Bolt M8x35
14	6	STM1019	Gegolfde veerring M8	Wave spring washer M8
15	1	STM7619	Aanbouwset cpl.	Adaptor kit cpl.
16	1	STM4104	Demperplaat DIN splines Z=10	Damper plate DIN splines Z=10
17	6	STM1056	Veerring M8	Spring washer M8
18	6	STM4055	Bout M8x1,25x16	Bolt M8x1.25x16



M2.02 M2.04 M2.06 M2.C5 Boileraansluiting I
M2.D5

Calorifier connection I

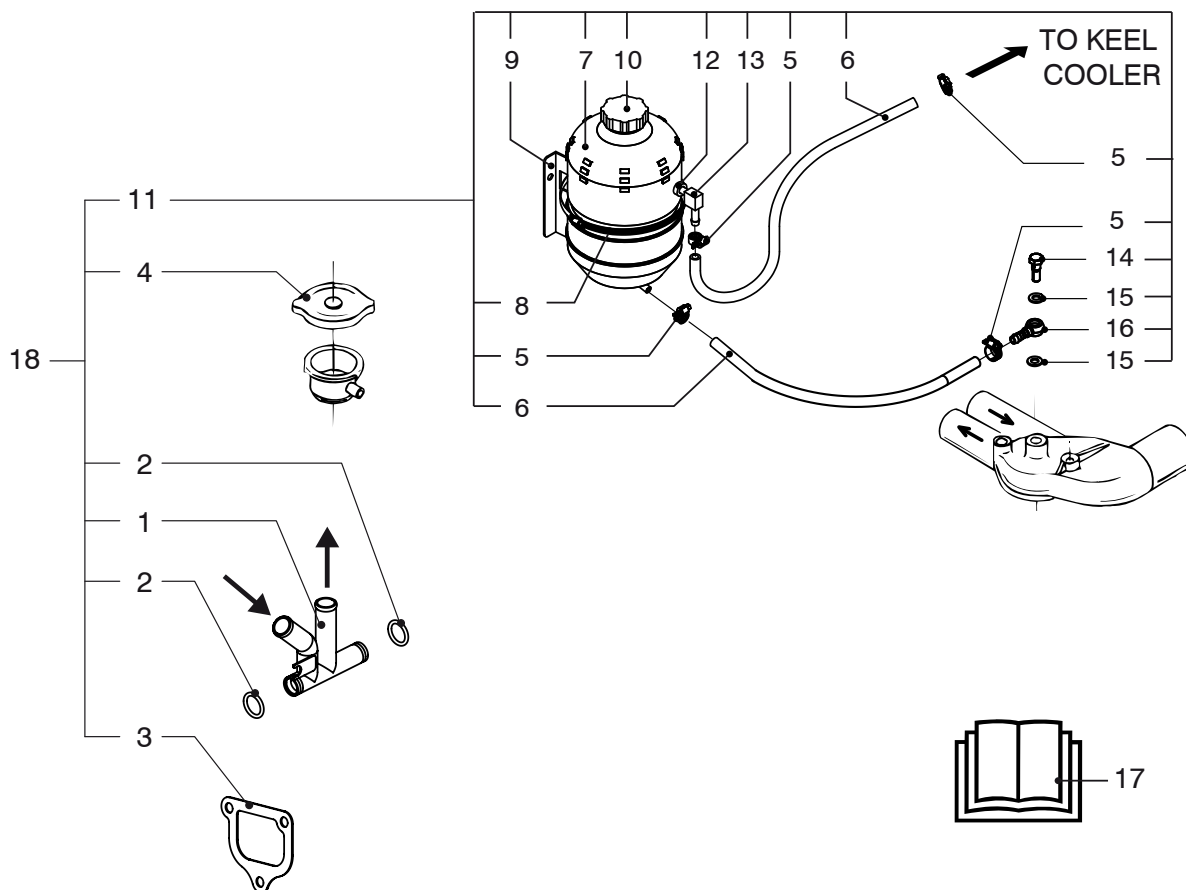
pos.	qty	part	benaming	description
1	1	STM6199	Banjo bout M10 x 1,5	Banjo bolt M10 x 1,5
2	2	STM2018	Afdichtring M10	Seal washer M10
3	1	STM6198	Banjo oog	Banjo eye
4	2	STM9505	Klem	Clamp
5	1	STM9504	Slang	Hos
6	1	STM9501	Expansie tank	Headertank
7	1	STM9503	Slangklem 140-180	Hose clamp 140-180
8	1	STM9502	Bevestigingsbeugel	Support
9	1	STM9500	Expansietank compleet	Headertank compl.
10	1	STM6343	Slangpilaar (lang)	Hose pillar
11	1	STM3736	Slangpilaar (kort)	Hose pillar
12	2	STM6617	Afdichtring	Seal washer
13	1	STM3750	Vulnek	Filler neck
14	1	STM9507	Vuldop (Do not open)	Filler cap (Do not open)
15	1	STM6235	Boilerset compleet	Calorifier set compl.
16	1	08-01141	Drukdop	Pressure cap



M2.02 M2.04 M2.06 M2.C5 Boileraansluiting II, interkoeling
M2.13 M2.18 M2.D5

Calorifier connection II, intercooling

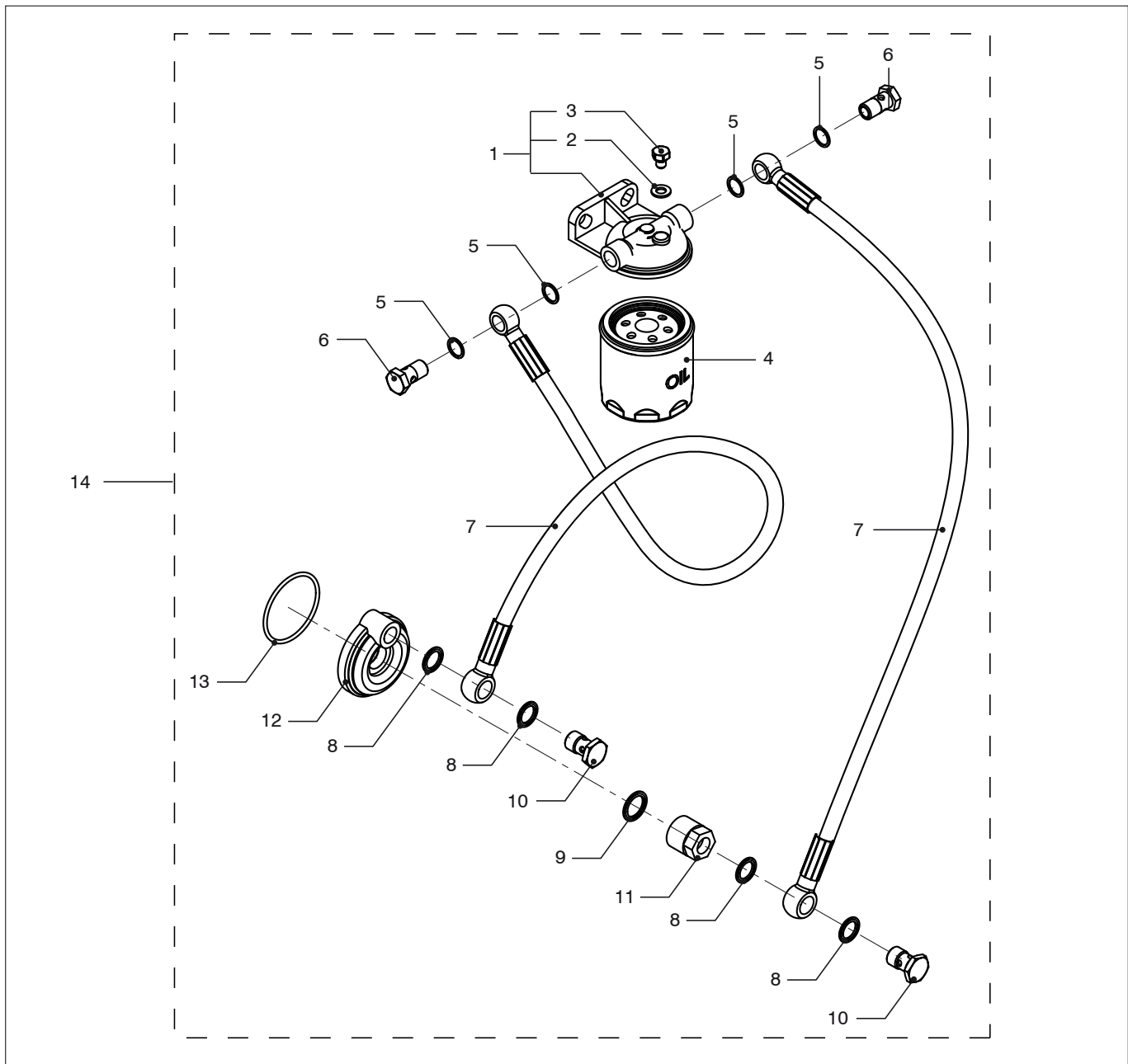
pos.	qty	part	benaming	description
1	1	08-01188	Pijp	Pipe
2	2	STM1238	O-ring	O-ring
3	1	STM3967	Pakking	Gasket
4	1	STM9507	Vuldop (do not open)	Filler cap (do not open)
5	2	STM9505	Slangklem	Hose clamp
6	1	STM9504	Slang	Hose
7	1	STM9501	Expansietank	Headertank
8	1	STM9503	Slangklem	Hose clamp
9	1	STM9502	Bevestigingsbeugel	Support
10	1	08-01141	Drukdop	Pressure cap
11	1	STM9500	Expansietank compleet	Headertank complete
12	1	344399.01	Installatie instructie	Installation instruction
13	1	08-01190	Boilerset compleet	Calorifier kit complete



M2.02 M2.04 M2.06 M2.C5 Boileraansluiting II Kielkoeling
M2.13 M2.18 M2.D5

Calorifier connection II Keelcooling

pos.	qty	part	benaming	description
1	1	08-01188	Pijp	Pipe
2	2	STM1238	O-ring	O-ring
3	1	STM3967	Pakking	Gasket
4	1	STM9507	Vuldop (do not open)	Filler cap (do not open)
5	4	STM9505	Slangklem	Hose clamp
6	2	STM9504	Slang	Hose
7	1	STM9513	Expansietank	Headertank
8	1	STM9503	Slangklem	Hose clamp
9	1	STM9502	Bevestigingsbeugel	Support
10	1	08-01141	Drukdop	Pressure cap
11	1	STM9514	Expansietank compleet	Headertank complete
12	1	STM9511	Tule	Grommet
13	1	STM9512	Slangpilaar	Hose pillar
14	1	STM7587	Banjo bout	Banjo bolt
15	2	STM2018	Afdichtring	Seal washer
16	1	STM6198	Banjo-oog	Banjo eye
17	1	344399.01	Installatie instructie	Installation instruction
18	1	08-01202	Boilerset compleet	Calorifier kit complete



M2.02 M2.04 M2.06 M2.C5 M2.D5 **Separaat gemonteerd oliefilter**

Oil filter separately installed

pos.	qty	part	benaming	description
1	1	STM9905	Filterkop M14x1,5	Filter head M14x1,5
2	1	STM3797	Afdichtring M8	Seal washer M8
3	1	STM3796	Ontluchttingsbout M8x1,25 l=10	Bleeding bolt M8x1,25 l=10
4	1	STM9316	Oliefilter M20	Oil filter M20
5	4	STM1062	Afdichtring M14	Seal washer M14
6	2	STM3518	Banjo bout M14x1.5	Banjo bolt M14x1.5
7	2	STM9906	Slang	Hose
8	4	STM9907	Afdichtring M16	Seal washer M16
9	1	STM9908	Afdichtring M20	Seal washer M20
10	2	STM9909	Banjo bout M16	Banjo bolt M16
11	1	STM9910	Moer	Nut
12	1	STM9911	Adapter	Adaptor
13	1	STM9912	O-ring	O-ring
14	1	STM9913	Set separaat oliefilter	Kit oil filter separately

Register Index

art.nr. / part	pag. page	pos.	art.nr. / part	pag. page	pos.	art.nr. / part	pag. page	pos.	art.nr. / part	pag. page	pos.
08-01095	4-15	15	08-01377	2-8	6	STM0052	1-1	8	STM1025	10-5	7
08-01108	3-1	15	08-01378	6-4	27	STM0052	1-2	10	STM1025	3-6	35
08-01108	3-4	15	08-01379	6-4	28	STM1006	3-1	14	STM1025	3-9	37
08-01141	10-6	16	08-01380	6-4	29	STM1006	3-4	14	STM1025	3-12	37
08-01141	10-7	10	344399.01	10-7	12	STM1007	3-3	40	STM1025	3-21	23
08-01141	10-8	10	344399.01	10-8	17	STM1007	3-6	40	STM1027	3-13	5
08-01141	3-9	43	AD14-16	4-17	16	STM1007	3-8	29	STM1027	3-1	5
08-01188	10-7	1	CT40029	4-15	8	STM1007	3-11	29	STM1027	3-4	5
08-01188	10-8	1	CT40029	4-16	8	STM1017	3-1	4	STM1030	6-1	11
08-01190	10-7	13	CT40029	4-1	12	STM1017	3-4	4	STM1030	4-1	11
08-01202	10-8	18	CT40042	4-5	6	STM1019	5-1	8	STM1035	2-10	17
08-01265	2-20	6	CT40075	4-3	7	STM1019	6-1	14	STM1035	2-11	17
08-01266	2-20	1	CT40075	4-4	7	STM1019	3-2	20	STM1035	2-12	17
08-01267	2-20	5	CT40083	4-17	12	STM1019	3-14	3	STM1054	5-1	13
08-01275	2-21	1	CT40131	4-8	19	STM1019	3-14	5	STM1054	10-1	10
08-01276	2-21	2	CT40133	4-8	9	STM1019	3-14	7	STM1054	5-3	13
08-01277	2-21	4	CT40133	4-9	19	STM1019	3-14	13	STM1056	3-1	8
08-01278	2-21	5	LNTACHU	4-9	8	STM1019	5-3	8	STM1056	5-1	6
08-01279	2-21	8	LNVOLT12U	4-9	9	STM1019	10-3	14	STM1056	10-1	5
08-01280	3-14	9	MITSTEUN	2-1	4	STM1019	10-4	17	STM1056	5-3	6
08-01281	3-14	11	MITSTEUN	5-1	15	STM1019	3-5	20	STM1056	6-3	2
08-01285	3-14	1	MITSTEUN	10-2	28	STM1019	4-5	10	STM1056	10-3	17
08-01286	6-3	1	MITSTEUN	5-3	15	STM1019	4-5	12	STM1056	4-14	12
08-01289	6-4	20	MP00	4-12	1	STM1019	5-5	6	STM1056	3-4	8
08-01290	4-5	3	MP10B12	4-11	10	STM1019	10-5	14	STM1056	10-4	20
08-01292	2-21	11	MP22BN12A	4-9	18	STM1019	5-6	6	STM1056	5-5	4
08-01297	6-3	13	MP22BS12A	4-9	18	STM1019	3-7	17	STM1056	10-5	17
08-01297	3-21	20	P2295RKP	4-7	3	STM1019	3-10	17	STM1056	5-6	4
08-01302	6-4	18	P2295RKP	4-8	3	STM1019	3-18	4	STM1056	2-7	6
08-01303	4-5	5	P2295RKP	4-9	3	STM1019	3-20	4	STM1056	3-7	8
08-01308	1-2	8	P2295RKP	4-10	3	STM1019	4-20	9	STM1056	3-10	8
08-01308	2-20	4	P2295RKP	4-11	3	STM1019	4-1	20	STM1056	4-15	4
08-01310	4-5	1	P35134RKP	4-9	11	STM1019	4-3	11	STM1056	4-15	10
08-01310	4-16	13	P35164RKP	4-7	11	STM1019	4-4	11	STM1056	3-16	17
08-01320	3-14	15	P35164RKP	4-8	11	STM1024	10-3	8	STM1056	4-16	4
08-01355	3-14	16	P35254ZKP	4-7	15	STM1024	10-4	8	STM1056	4-16	10
08-01369	2-8	1	P35254ZKP	4-8	15	STM1024	10-5	8	STM1056	2-21	6
08-01371	3-14	17	P35254ZKP	4-9	15	STM1024	4-15	7	STM1056	3-15	4
08-01371	2-8	2	P35254ZKP	4-10	9	STM1024	4-16	7	STM1059	3-1	16
08-01372	2-8	4	P35254ZKP	4-11	9	STM1024	2-21	10	STM1059	3-4	16
08-01373	2-8	5	PA6488	4-9	10	STM1025	4-1	6	STM1059	3-7	9
08-01375	1-1	7	PA6488	4-7	10	STM1025	6-1	12	STM1059	3-10	9
08-01375	2-8	8	PA6488	4-8	10	STM1025	3-2	35	STM1062	3-1	17
08-01376	1-2	9	STM0051	1-1	5	STM1025	6-3	16	STM1062	3-3	48
08-01376	2-8	3	STM0051	1-2	5	STM1025	10-3	7	STM1062	3-5	17
08-01377	6-4	25	STM0051	2-6	38	STM1025	10-4	7	STM1062	3-7	10

art.nr. / part	pag. page	pos.	art.nr. / part	pag. page	pos.	art.nr. / part	pag. page	pos.	art.nr. / part	pag. page	pos.
STM1062	10-9	5	STM1125	2-3	30	STM1162	2-9	7	STM1198	2-13	1
STM1062	3-10	10	STM1126	2-7	32	STM1163	2-9	8	STM1198	2-13	7
STM1062	4-17	15	STM1127	2-3	33	STM1164	2-9	9	STM1198	2-13	12
STM1073	2-1	7	STM1127	3-18	7	STM1166	2-9	11	STM1199	2-13	13
STM1073	5-1	15	STM1128	2-4	35	STM1167	2-9	12	STM1200	2-13	14
STM1073	5-3	15	STM1128	3-18	9	STM1168	2-9	13	STM1201	2-13	15
STM1087	2-10	1	STM1129	2-4	36	STM1169	2-9	14	STM1202	2-13	16
STM1088	2-10	1	STM1129	3-18	11	STM1170	2-9	15	STM1203	2-14	17
STM1089	2-10	1	STM1130	3-18	10	STM1171	2-9	16	STM1204	2-14	18
STM1090	2-10	2	STM1132	2-5	1-3	STM1172	2-9	17	STM1205	2-14	19
STM1091	2-10	2	STM1133	2-5	2	STM1173	2-9	18	STM1206	2-14	20
STM1092	2-10	2	STM1133	2-16	2	STM1177	2-10	5	STM1207	2-14	24
STM1093	2-2	6	STM1134	2-5	3	STM1177	2-11	5	STM1208	2-14	25
STM1094	2-9	6-9	STM1135	2-5	4	STM1177	2-12	5	STM1209	2-14	26
STM1095	2-9	10	STM1135	2-16	11	STM1179	2-10	7	STM1210	2-14	27
STM1095	2-16	1	STM1136	2-5	6	STM1179	2-11	7	STM1211	2-14	28
STM1096	2-17	26	STM1137	2-5	7	STM1179	2-12	7	STM1212	2-14	29
STM1097	2-10	4	STM1138	2-5	8	STM1180	2-10	8	STM1213	2-14	31
STM1098	6-5	1	STM1139	2-5	9	STM1180	2-11	8	STM1214	2-14	32
STM1098	6-7	25	STM1140	2-5	10	STM1180	2-12	8	STM1215	2-15	34
STM1098	3-18	6	STM1141	2-5	11	STM1181	2-10	9	STM1216	2-15	35
STM1099	6-6	7	STM1142	2-5	12	STM1181	2-11	9	STM1217	2-15	36
STM1100	2-2	1	STM1143	2-5	13	STM1181	2-12	9	STM1218	2-15	38
STM1101	2-2	2	STM1143	3-19	17	STM1182	2-10	10	STM1219	2-15	39
STM1101	2-16	7	STM1143	3-20	9	STM1182	2-11	10	STM1220	2-15	40
STM1102	2-2	3	STM1144	2-5	14	STM1182	2-12	10	STM1221	2-15	41
STM1103	2-7	4	STM1144	3-19	16	STM1183	2-10	11	STM1222	2-18	1
STM1104	2-2	5	STM1144	3-20	8	STM1183	2-11	11	STM1223	2-18	2
STM1106	2-2	7	STM1145	2-5	15	STM1183	2-12	11	STM1224	2-18	4
STM1108	2-2	9	STM1145	3-19	15	STM1184	2-10	12	STM1225	2-18	5
STM1109	2-2	10	STM1145	3-20	7	STM1184	2-11	12	STM1226	2-16	14
STM1111	2-2	12	STM1146	2-5	17	STM1184	2-12	12	STM1226	2-18	8
STM1112	2-2	13	STM1147	2-5	18	STM1185	2-10	13	STM1227	3-17	2
STM1113	2-2	14	STM1147	2-16	13	STM1185	2-11	13	STM1227	3-19	26
STM1113	2-16	10	STM1148	2-6	19	STM1185	2-12	13	STM1227	3-21	18
STM1114	2-2	16	STM1149	2-6	20	STM1186	2-10	14	STM1228	3-17	3
STM1114	2-17	19	STM1149	2-16	16	STM1186	2-11	14	STM1228	3-19	27
STM1114	3-18	14	STM1150	2-6	26	STM1186	2-12	14	STM1228	3-21	19
STM1115	2-2	17	STM1151	2-6	29	STM1187	2-10	16	STM1229	3-17	4
STM1116	2-3	18	STM1153	2-6	32	STM1187	2-11	16	STM1229	3-19	19
STM1116	2-16	12	STM1154	2-6	33	STM1187	2-12	16	STM1229	3-20	11
STM1117	2-3	19	STM1155	2-6	34	STM1189	2-13	2	STM1230	2-16	9
STM1118	2-3	21	STM1155	2-17	20	STM1190	2-13	3	STM1230	3-17	5
STM1119	2-3	22	STM1156	2-6	35	STM1191	2-13	4	STM1230	3-19	20
STM1120	2-3	23	STM1157	2-6	39	STM1192	2-13	5	STM1230	3-20	12
STM1121	2-3	24	STM1158	2-6	40	STM1193	2-13	6	STM1231	3-17	6
STM1122	2-3	26	STM1159	2-9	3	STM1195	2-13	9	STM1231	3-19	21
STM1123	2-3	27	STM1160	2-9	5	STM1196	2-13	10	STM1231	3-20	13

art.nr. / part	pag. page	pos.	art.nr. / part	pag. page	pos.	art.nr. / part	pag. page	pos.	art.nr. / part	pag. page	pos.
STM1232	3-17	8	STM1312	6-6	8	STM1360	6-9	29	STM1413	2-11	1
STM1232	3-19	23	STM1313	6-6	9	STM1361	6-9	30	STM1414	2-11	1
STM1232	3-20	15	STM1314	6-6	10	STM1362	6-9	31	STM1415	2-11	1
STM1233	3-17	9	STM1315	6-6	11	STM1363	6-9	32	STM1419	2-11	4
STM1233	3-19	24	STM1316	6-6	12	STM1364	6-9	33	STM1420	2-12	4
STM1233	3-20	16	STM1317	6-6	12	STM1365	6-9	35	STM1421	2-10	3
STM1234	3-17	14	STM1318	6-6	12	STM1366	6-9	36	STM1421	2-11	3
STM1235	2-17	23	STM1319	6-6	12	STM1367	6-10	37	STM1421	2-12	3
STM1235	3-17	15	STM1320	6-6	12	STM1368	6-10	38	STM1422	2-10	3
STM1236	3-17	17	STM1321	6-6	12	STM1369	6-10	39	STM1422	2-11	3
STM1237	3-17	18	STM1322	6-6	12	STM1370	6-10	40	STM1422	2-12	3
STM1238	10-7	2	STM1323	6-6	12	STM1371	6-10	41	STM1423	2-10	3
STM1238	10-8	2	STM1324	6-7	12	STM1372	6-10	42	STM1423	2-11	3
STM1238	3-17	19	STM1325	6-7	12	STM1373	6-10	43	STM1423	2-12	3
STM1241	4-13	1	STM1326	6-7	12	STM1374	6-10	44	STM1424	2-17	26
STM1242	4-14	4	STM1327	6-7	12	STM1374	2-16	8	STM1425	2-17	26
STM1243	4-14	5	STM1328	6-7	12	STM1375	4-17	3	STM1426	6-5	1
STM1244	4-14	8	STM1329	6-7	12	STM1377	6-11	1	STM1426	6-7	25
STM1245	4-14	9	STM1330	6-7	13	STM1378	6-11	2	STM1426	3-18	6
STM1246	4-14	11	STM1331	6-7	19	STM1379	6-11	2	STM1426	3-20	6
STM1247	4-14	13	STM1332	6-7	20	STM1380	6-11	2	STM1427	6-5	1
STM1250	4-13	3	STM1333	6-7	21	STM1381	6-11	2	STM1427	6-7	25
STM1288	6-5	2	STM1334	6-7	22	STM1382	6-11	2	STM1427	3-18	6
STM1289	6-5	2	STM1335	6-7	23	STM1383	6-11	2	STM1428	6-6	7
STM1290	6-5	2	STM1336	6-7	24	STM1384	6-11	2	STM1429	6-6	7
STM1291	6-5	2	STM1337	6-8	1	STM1385	6-11	2	STM1430	2-12	2
STM1292	6-5	2	STM1338	6-8	2	STM1386	6-11	2	STM1431	2-12	2
STM1293	6-5	2	STM1339	6-8	4	STM1387	10-2	35	STM1432	2-12	2
STM1294	6-5	2	STM1340	6-8	6	STM1388	6-11	3	STM1436	2-11	2
STM1295	6-5	2	STM1341	6-8	7	STM1389	6-11	4	STM1437	2-11	2
STM1296	6-5	2	STM1342	6-8	8	STM1390	6-11	5	STM1438	2-11	2
STM1297	6-5	3	STM1343	6-8	9	STM1391	6-11	6	STM1439	6-10	46
STM1298	6-5	4	STM1344	6-8	10	STM1392	6-11	7	STM1440	6-10	47
STM1298	6-11	8	STM1345	6-8	11	STM1394	2-3	29	STM1441	6-9	33
STM1299	6-5	5	STM1346	6-8	12	STM1395	2-3	29	STM1515	3-4	3
STM1299	2-16	17	STM1347	6-8	13	STM1396	2-3	29	STM1610	5-1	7
STM1300	6-5	6	STM1348	6-8	14	STM1397	2-12	1	STM1610	5-3	7
STM1301	6-5	7	STM1349	6-8	15	STM1398	2-12	1	STM1610	5-5	5
STM1302	6-5	14	STM1351	6-8	16	STM1399	2-12	1	STM1610	2-6	31
STM1303	6-5	15	STM1352	6-9	17	STM1406	2-2	6	STM1610	5-6	5
STM1303	2-17	22	STM1353	6-9	18	STM1407	2-2	6	STM1610	4-20	8
STM1304	6-5	16	STM1354	6-9	24	STM1408	2-9	6-9	STM1620	4-14	6
STM1305	6-6	1	STM1354	2-17	21	STM1409	2-9	10	STM1651	10-1	4
STM1306	6-6	2	STM1355	6-10	45	STM1409	2-16	1	STM1651	10-3	13
STM1307	6-6	3	STM1356	6-9	25	STM1410	2-6	41	STM1651	10-4	16
STM1308	6-6	4	STM1357	6-9	26	STM1411	2-9	6-9	STM1651	10-5	13
STM1309	6-6	5	STM1358	6-9	27	STM1412	2-9	10	STM1652	2-6	30
STM1310	6-6	6	STM1359	6-9	28	STM1412	2-16	1	STM1660	4-14	3

art.nr. / part	pag. page	pos.	art.nr. / part	pag. page	pos.	art.nr. / part	pag. page	pos.	art.nr. / part	pag. page	pos.
STM1703	10-2	20	STM2012	3-13	7	STM3260	2-4	34	STM3696	6-1	3
STM1703	4-18	1	STM2018	3-3	39	STM3260	3-18	8	STM3705	4-5	14
STM1703	4-19	1	STM2018	3-3	45	STM3260	4-1	13	STM3712	4-2	29
STM1703	4-20	1	STM2018	3-6	39	STM3353	2-7	4	STM3712	4-3	18
STM1704	10-2	21	STM2018	10-6	2	STM3355	3-1	7	STM3712	4-6	6
STM1704	4-18	2	STM2018	3-8	21	STM3355	3-14	4	STM3713	4-2	28
STM1704	4-19	2	STM2018	10-8	15	STM3355	2-4	39	STM3713	4-3	17
STM1704	4-20	2	STM2018	3-11	21	STM3355	3-4	7	STM3714	4-2	26
STM1705	4-1	5	STM2019	3-3	43	STM3355	4-5	9	STM3714	4-3	15
STM1705	10-2	22	STM2019	3-6	43	STM3355	3-7	7	STM3715	4-2	27
STM1705	4-20	12	STM2019	4-17	11	STM3355	3-10	7	STM3715	4-3	16
STM1705	4-1	18	STM2022	2-1	3	STM3355	4-15	9	STM3736	10-6	11
STM1705	4-3	9	STM2022	10-1	13	STM3355	4-16	9	STM3749	4-14	7
STM1705	4-4	9	STM2022	10-3	11	STM3355	4-1	19	STM3749	4-15	11
STM1707	10-1	14	STM2022	6-4	19	STM3355	4-3	10	STM3749	4-16	11
STM1707	4-20	13	STM2022	10-4	13	STM3355	4-4	10	STM3749	2-19	9
STM1707	4-1	4	STM2022	10-5	11	STM3355	2-19	8	STM3750	10-6	13
STM1707	4-1	17	STM2022	2-10	18	STM3518	3-3	47	STM3750	3-7	3
STM1806	10-2	23	STM2022	2-11	18	STM3518	10-9	6	STM3750	3-10	3
STM1806	4-18	4	STM2022	2-12	18	STM3528	5-1	14	STM3758	5-4	20
STM1806	4-19	4	STM2258	2-4	38	STM3528	10-1	11	STM3760	5-4	20
STM1806	4-20	4	STM2258	2-7	7	STM3528	5-3	14	STM3762	4-2	30
STM1807	10-2	24	STM2258	3-18	12	STM3546	2-2	11	STM3762	4-3	19
STM1807	4-18	3	STM2260	2-5	16	STM3549	2-3	31	STM3762	4-6	7
STM1807	4-19	5	STM2260	3-19	18	STM3555	2-5	5	STM3767	4-20	11
STM1807	4-20	3	STM2260	3-20	10	STM3562	2-6	28	STM3773	5-4	21
STM1808	10-2	25	STM2387	4-17	4	STM3565	2-6	36	STM3779	6-3	5
STM1808	4-18	5	STM2507	5-1	9	STM3565	2-9	1	STM3796	3-3	41
STM1808	4-19	6	STM2507	10-1	7	STM3566	2-4	37	STM3796	6-3	6
STM1808	4-20	5	STM2507	5-3	9	STM3566	2-6	37	STM3796	3-6	41
STM1851	4-20	6	STM2507	2-4	41	STM3566	2-9	2	STM3796	3-8	30
STM1852	4-20	10	STM2507	10-4	12	STM3586	2-10	6	STM3796	10-9	3
STM2005	4-5	11	STM2507	5-5	7	STM3586	2-11	6	STM3796	3-11	30
STM2005	3-15	5	STM2507	5-6	7	STM3586	2-12	6	STM3797	6-1	2
STM2005	4-15	5	STM2510	2-3	25	STM3600	2-10	15	STM3797	10-9	2
STM2005	3-16	18	STM2513	2-3	28	STM3600	2-11	15	STM3890	4-12	3
STM2005	4-16	5	STM2588	2-14	22	STM3600	2-12	15	STM3930	4-14	8
STM2005	3-18	5	STM2589	2-14	23	STM3604	2-13	8	STM3967	10-7	3
STM2005	3-20	5	STM2589	2-16	3	STM3612	2-14	30	STM3967	10-8	3
STM2005	2-21	7	STM2719	6-8	5	STM3613	2-15	33	STM4010	2-1	5
STM2005	4-20	7	STM2720	6-8	3	STM3614	2-15	37	STM4010	5-1	16
STM2006	3-3	42	STM2737	6-9	34	STM3620	2-14	21	STM4010	10-2	26
STM2006	3-6	42	STM2742	4-17	2	STM3683	4-14	10	STM4010	5-3	16
STM2006	4-17	10	STM3012	2-19	7	STM3690	1-1	3	STM4011	2-1	6
STM2012	3-2	28	STM3066	4-2	35	STM3690	6-1	5	STM4011	5-1	17
STM2012	3-14	10	STM3066	4-3	13	STM3690	1-2	3	STM4011	10-2	27
STM2012	3-14	12	STM3066	4-4	13	STM3690	6-3	8	STM4011	5-4	17
STM2012	3-5	28	STM3255	3-18	13	STM3695	3-3	49	STM4013	4-13	2

art.nr. / part	pag. page	pos.	art.nr. / part	pag. page	pos.	art.nr. / part	pag. page	pos.	art.nr. / part	pag. page	pos.
STM4013	6-1	7	STM5353	5-2	18	STM6116	3-9	41	STM6139	2-20	3
STM4013	2-10	19	STM5402	5-2	18	STM6116	3-11	32	STM6140	3-1	2
STM4013	2-11	19	STM5403	5-2	18	STM6116	3-12	41	STM6140	3-4	2
STM4013	2-12	19	STM5442	5-2	18	STM6117	3-2	22	STM6142	3-1	1
STM4014	10-1	18	STM5443	5-2	18	STM6117	3-5	22	STM6142	3-4	1
STM4016	6-3	10	STM5900	10-2	30	STM6118	3-3	36	STM6143	4-2	23
STM4018	6-1	9	STM6049	6-3	7	STM6118	3-6	36	STM6144	4-2	24
STM4018	10-1	15	STM6049	6-1	4	STM6118	3-9	38	STM6145	4-2	22
STM4018	10-2	19	STM6050	6-1	1	STM6118	3-12	38	STM6146	4-1	3
STM4018	6-3	12	STM6050	6-3	4	STM6119	2-19	1	STM6147	3-3	38
STM4018	10-3	12	STM6101	2-1	1	STM6120	2-18	7	STM6147	3-6	38
STM4018	10-4	14	STM6102	2-1	2	STM6120	2-19	5	STM6152	3-2	23
STM4018	10-5	12	STM6103	5-1	1	STM6120	2-20	2	STM6152	3-5	23
STM4043	3-7	5	STM6104	5-1	10	STM6121	3-2	19	STM6152	3-7	12
STM4043	3-10	5	STM6104	10-1	8	STM6121	3-5	19	STM6152	3-10	12
STM4045	2-8	7	STM6104	5-3	10	STM6121	3-8	18	STM6155	3-2	34
STM4050	1-2	7	STM6104	5-5	9	STM6121	3-11	18	STM6155	2-6	27
STM4055	3-14	2	STM6104	5-6	9	STM6121	4-15	2	STM6155	3-6	34
STM4055	3-14	14	STM6105	10-1	1	STM6121	4-16	2	STM6155	3-9	36
STM4055	6-3	3	STM6105	5-3	2	STM6123	3-13	3	STM6155	3-12	36
STM4055	10-3	18	STM6106	5-1	3	STM6124	3-2	27	STM6155	3-17	7
STM4055	10-4	21	STM6106	10-1	2	STM6124	3-5	27	STM6155	3-19	22
STM4055	4-5	13	STM6106	5-5	2	STM6124	3-13	4	STM6155	3-20	14
STM4055	10-5	18	STM6106	5-6	2	STM6126	3-2	24	STM6156	3-3	37
STM4056	2-1	10	STM6107	5-3	4	STM6126	3-5	24	STM6156	3-6	37
STM4056	5-1	11	STM6108	3-1	3	STM6126	3-7	14	STM6156	3-9	39
STM4056	10-1	9	STM6109	3-15	1	STM6126	3-10	14	STM6156	3-12	39
STM4056	5-3	11	STM6109	3-16	16	STM6126	3-15	3	STM6157	3-2	18
STM4056	5-5	10	STM6109	3-18	1	STM6126	3-16	10	STM6157	3-5	18
STM4056	5-6	10	STM6109	3-20	1	STM6126	3-18	3	STM6157	3-7	11
STM4061	6-1	8	STM6111	5-1	5	STM6126	3-20	3	STM6157	3-10	11
STM4061	6-3	11	STM6111	5-3	5	STM6127	3-15	2	STM6158	2-19	3
STM4104	10-3	16	STM6111	5-5	3	STM6127	3-16	8	STM6160	3-15	6
STM4104	10-4	19	STM6111	5-6	3	STM6127	3-18	2	STM6161	3-16	5
STM4104	10-5	16	STM6112	3-2	33	STM6127	3-20	2	STM6162	3-15	8
STM4537	4-15	3	STM6112	3-5	33	STM6128	3-1	9	STM6162	3-16	14
STM4537	4-16	3	STM6112	3-9	35	STM6128	3-4	9	STM6163	3-15	9
STM4591	6-4	30	STM6112	3-12	35	STM6131	3-1	12	STM6164	3-15	10
STM4593	4-5	8	STM6113	1-1	2	STM6131	3-4	12	STM6166	3-15	12
STM4614	1-2	1	STM6113	3-1	10	STM6133	2-19	2	STM6167	3-15	13
STM4614	4-5	4	STM6113	1-2	2	STM6134	4-1	1	STM6168	3-16	7
STM5103	5-2	18	STM6113	3-4	10	STM6135	4-1	2	STM6168	3-15	14
STM5162	5-2	18	STM6114	2-19	4	STM6138	3-13	1	STM6169	3-16	6
STM5163	5-2	18	STM6115	6-1	6	STM6138	3-2	29	STM6169	3-15	15
STM5171	5-2	22	STM6116	3-13	6	STM6138	3-5	29	STM6170	3-16	12
STM5176	5-2	21	STM6116	3-2	30	STM6138	3-8	31	STM6170	3-15	16
STM5177	5-2	21	STM6116	3-5	30	STM6138	3-11	31	STM6171	3-16	1
STM5352	5-2	18	STM6116	3-8	32	STM6139	2-19	6	STM6171	3-15	17

art.nr. / part	pag. page	pos.	art.nr. / part	pag. page	pos.	art.nr. / part	pag. page	pos.	art.nr. / part	pag. page	pos.
STM6172	3-15	18	STM6224	4-12	5	STM6256	6-7	17	STM6345	5-5	9
STM6172	3-16	11	STM6225	4-2	25	STM6257	6-2	26	STM6345	5-6	9
STM6173	3-16	13	STM6225	4-12	5	STM6257	6-7	16	STM6617	10-6	12
STM6173	3-15	19	STM6226	10-2	29	STM6258	6-2	27	STM6904	10-1	16
STM6174	3-15	20	STM6227	2-19	2	STM6258	6-7	15	STM6905	10-2	31
STM6176	3-7	2	STM6228	2-19	3	STM6259	6-2	28	STM6906	10-2	32
STM6176	3-10	2	STM6229	4-2	33	STM6259	6-7	14	STM6909	10-1	17
STM6177	3-7	1	STM6229	4-3	12	STM6263	4-14	14	STM6909	10-2	33
STM6177	3-10	1	STM6231	4-2	34	STM6263	3-17	10	STM6910	10-2	34
STM6178	3-13	2	STM6235	3-3	50	STM6263	3-19	25	STM6912	4-9	2
STM6178	3-9	42	STM6235	10-6	15	STM6264	4-17	1	STM6918	4-9	13
STM6178	3-12	42	STM6236	3-9	40	STM6265	4-17	5	STM6920	4-11	7
STM6179	3-7	13	STM6236	3-12	40	STM6266	4-17	6	STM6921	4-4	12
STM6179	3-10	13	STM6238	4-20	14	STM6267	4-17	7	STM6941	4-6	1
STM6180	6-1	10	STM6240	2-19	2	STM6268	3-17	21	STM6942	4-6	1
STM6185	6-2	22	STM6241	2-19	3	STM6268	4-17	8	STM6943	4-6	1
STM6185	6-4	24	STM6246	4-3	1	STM6269	2-17	25	STM6944	4-6	1
STM6186	6-2	23	STM6246	4-4	1	STM6269	3-17	20	STM6945	4-6	2
STM6186	6-4	26	STM6248	4-3	2	STM6269	4-17	9	STM6946	4-6	2
STM6189	6-2	18	STM6248	4-4	2	STM6269	4-17	17	STM6947	4-6	2
STM6190	6-2	19	STM6249	3-16	2	STM6275	4-2	31	STM6948	4-6	2
STM6191	6-2	20	STM6250	3-2	31	STM6276	4-2	32	STM7056	6-1	16
STM6192	6-2	21	STM6250	3-5	31	STM6277	4-14	1	STM7056	6-4	21
STM6196	3-3	46	STM6250	3-8	33	STM6278	4-14	2	STM7059	6-1	13
STM6198	10-6	3	STM6250	3-11	33	STM6279	10-1	6	STM7059	3-14	8
STM6198	3-8	20	STM6250	3-17	13	STM6279	5-2	19	STM7059	5-6	5
STM6198	10-8	16	STM6251	3-2	32	STM6279	2-4	40	STM7059	5-6	5
STM6198	3-11	20	STM6251	3-5	32	STM6279	5-4	19	STM7222	4-10	16
STM6199	3-3	44	STM6251	3-9	34	STM6279	5-5	8	STM7222	4-11	13
STM6199	10-6	1	STM6251	3-12	34	STM6279	5-6	8	STM7254	4-10	17
STM6199	3-8	22	STM6251	2-17	24	STM6293	5-5	1	STM7254	4-11	14
STM6199	3-11	22	STM6251	3-17	12	STM6293	5-6	1	STM7294	4-19	3
STM6201	5-3	12	STM6252	3-2	21	STM6294	5-5		STM7437	4-15	1
STM6203	4-2	21	STM6252	3-5	21	STM6294	5-6		STM7437	4-16	1
STM6204	4-7	13	STM6252	3-8	19	STM6295	2-19	2	STM7438	4-15	6
STM6204	4-8	13	STM6252	3-11	19	STM6296	2-19	3	STM7438	4-16	6
STM6207	4-8	18	STM6252	2-16	15	STM6299	3-2	26	STM7439	1-1	6
STM6208	4-7	17	STM6252	2-18	10	STM6299	3-5	26	STM7439	1-2	6
STM6209	4-8	17	STM6253	4-1	10	STM6299	3-7	16	STM7439	4-15	12
STM6211	4-10	7	STM6254	3-1	6	STM6299	3-10	16	STM7439	4-16	12
STM6212	4-10	10	STM6254	3-14	6	STM6300	2-7	2	STM7439	3-17	10
STM6216	10-1	12	STM6254	3-4	6	STM6301	2-7	1	STM7439	3-19	25
STM6219	10-1	3	STM6254	3-7	6	STM6305	2-7	3	STM7439	3-21	17
STM6222	4-12	5	STM6254	2-9	4	STM6306	2-7	8	STM7440	4-15	13
STM6222	4-2	25	STM6254	3-10	6	STM6341	4-17	13	STM7446	3-1	11
STM6223	4-2	25	STM6255	6-2	25	STM6343	10-6	10	STM7446	3-4	11
STM6223	4-12	5	STM6255	6-7	18	STM6345	5-1		STM7584	2-1	8
STM6224	4-2	25	STM6256	6-2	24	STM6345	5-3	10	STM7587	10-8	14

art.nr. / part	pag. page	pos.	art.nr. / part	pag. page	pos.	art.nr. / part	pag. page	pos.	art.nr. / part	pag. page	pos.
STM7595	2-1	9	STM8391	10-4	15	STM9171	4-8	6	STM9502	10-6	8
STM7601	10-3	5	STM8569	6-3	17	STM9171	4-9	6	STM9502	10-7	9
STM7601	10-4	5	STM8569	3-21	24	STM9172	4-9	7	STM9502	3-8	27
STM7602	10-5	5	STM8726	6-3	15	STM9172	4-10	5	STM9502	10-8	9
STM7603	10-3	6	STM8726	2-21	3	STM9172	4-11	5	STM9502	3-11	27
STM7603	10-4	6	STM8726	3-21	22	STM9172	4-7	7	STM9503	10-6	7
STM7603	10-5	6	STM9050	4-5	2	STM9172	4-8	7	STM9503	10-7	8
STM7604	10-4	11	STM9050	4-1	15	STM9173	4-7	8	STM9503	3-8	26
STM7606	10-4	1	STM9050	4-3	6	STM9174	4-7	9	STM9503	10-8	8
STM7606	10-5	1	STM9050	4-4	6	STM9176	4-9	8	STM9503	3-11	26
STM7607	10-3	2	STM9052	4-1	14	STM9177	4-9	9	STM9504	10-6	5
STM7608	10-4	2	STM9052	4-3	5	STM9177	4-8	20	STM9504	10-7	6
STM7608	10-5	2	STM9052	4-4	5	STM9180	4-7	14	STM9504	3-8	23
STM7611	10-3	4	STM9056	4-2	36	STM9180	4-8	14	STM9504	10-8	6
STM7612	10-3	9	STM9056	4-3	14	STM9180	4-9	14	STM9504	3-11	23
STM7612	10-4	9	STM9056	4-12	3	STM9184	4-1	8	STM9505	10-6	4
STM7614	10-3	15	STM9063	4-1	7	STM9184	4-3	3	STM9505	10-7	5
STM7615	10-3	10	STM9063	4-1	16	STM9184	4-4	3	STM9505	3-8	24
STM7616	10-4	4	STM9064	4-10	10	STM9185	1-1	1	STM9505	10-8	5
STM7616	10-5	4	STM9065	4-10	1	STM9185	4-1	9	STM9505	3-11	24
STM7617	10-5	9	STM9065	4-11	1	STM9185	4-3	4	STM9507	10-6	14
STM7618	10-5	10	STM9066	4-10	2	STM9185	4-4	4	STM9507	3-7	4
STM7619	10-5	15	STM9066	4-11	2	STM9186	4-7	1	STM9507	10-7	4
STM7620	10-4	10	STM9067	4-10	7	STM9186	4-8	1	STM9507	10-8	4
STM7621	10-4	18	STM9068	4-10	8	STM9186	4-9	1	STM9507	3-10	4
STM7648	3-1	13	STM9068	4-11	8	STM9188	4-9	17	STM9511	10-8	12
STM7648	3-4	13	STM9069	4-10	15	STM9188	4-10	11	STM9511	3-12	44
STM7688	3-16	3	STM9069	4-10	12	STM9188	4-11	11	STM9512	10-8	13
STM7689	3-16	4	STM9069	4-11	12	STM9188	4-7	16	STM9512	3-12	43
STM7691	3-16	15	STM9070	4-10	13	STM9188	4-8	16	STM9513	10-8	7
STM7696	3-16	9	STM9113	4-5	7	STM9197	4-8	17	STM9513	3-11	25
STM8002	2-13	11	STM9119	4-12	3	STM9215	4-9	12	STM9514	10-8	11
STM8002	3-15	11	STM9132	4-12	3	STM9215	4-10	6	STM9514	3-11	28
STM8057	6-2	17	STM9135	4-12	2	STM9215	4-11	6	STM9563	4-15	14
STM8057	6-4	23	STM9136	4-12	4	STM9215	4-7	12	STM9563	4-16	14
STM8061	3-15	7	STM9164	4-7	13	STM9215	4-8	12	STM9731	4-9	16
STM8076	1-1	4	STM9164	4-8	13	STM9262	6-1	15	STM9888	4-7	18
STM8076	1-2	4	STM9168	4-7	2	STM9262	6-4	22	STM9888	4-8	8
STM8168	2-7	5	STM9168	4-8	2	STM9316	10-9	4	STM9888	4-9	20
STM8177	4-3	8	STM9169	4-9	4	STM9468	6-2	19	STM9888	4-10	14
STM8177	4-4	8	STM9169	4-7	4	STM9479	2-19	2	STM9905	10-9	1
STM8326	4-17	14	STM9169	4-8	4	STM9480	2-19	3	STM9906	10-9	7
STM8332	10-3	3	STM9169	4-10	4	STM9500	10-6	9	STM9907	10-9	8
STM8332	10-4	3	STM9169	4-11	4	STM9500	10-7	11	STM9908	10-9	9
STM8332	10-5	3	STM9170	4-7	5	STM9500	3-8	28	STM9909	10-9	10
STM8372	6-3	14	STM9170	4-8	5	STM9501	10-6	6	STM9910	10-9	11
STM8372	3-21	21	STM9170	4-9	5	STM9501	10-7	7	STM9911	10-9	12
STM8390	4-5	15	STM9171	4-7	6	STM9501	3-8	25	STM9912	10-9	13

art.nr. / part	pag. page	pos.
STM9913	10-9	14

VETUS b.v.

FOKKERSTRAAT 571 - 3125 BD SCHIEDAM - HOLLAND
TEL.: +31 (10) 4377700 - TELEFAX: +31 (10) 4372673 - 4621286
E-MAIL: sales@vetus.nl - INTERNET: <http://www.vetus.com>

M2.02 M2.04 M2.06 M2.C5 M2.D5 M2.13 M2.18